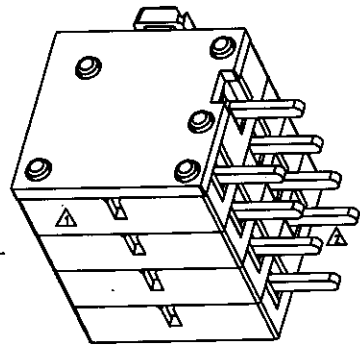
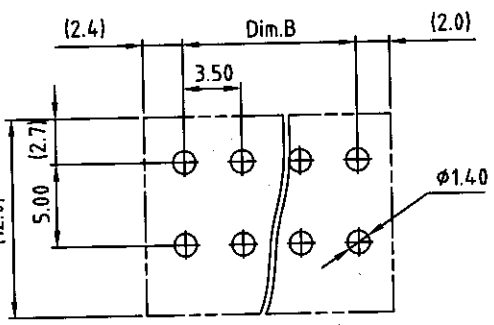
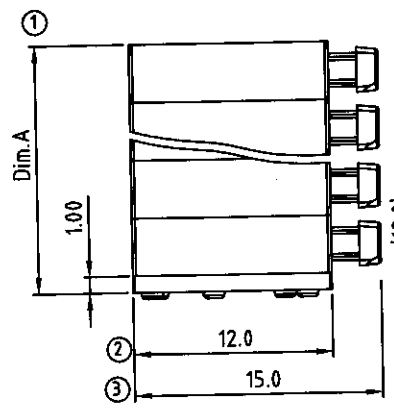


SIGN	DATE	DESCRIPTION	APPROVER
△	5/27/09	180°HX3.5 双接触由180°body组成 (底部只有1个孔)	Kind
△	04/07/10	增加加脚	Runner
THIS IS CAD DRAWING, DO NOT REVISE MANUALLY!!!			

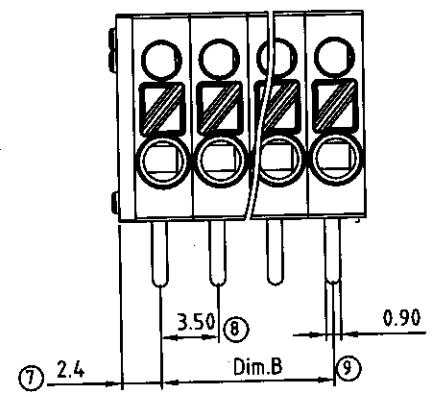
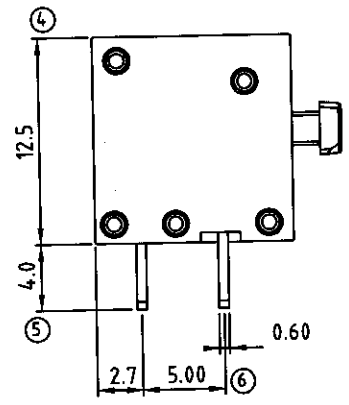


- Material**
- Terminal body (Contact pin): Brass
 - Wire guard: Stainless steel
 - Surface of solder tail: Tin plated
 - Insulator (housing): Thermoplastic (UL94V-0)

- Electrical cULus**
- Voltage rating: AC 300V
 - Current rating: 10A
 - Wire range:
 - Solid wire(AWG): 16-26
 - Stranded wire(AWG): 16-26
 - Wire strip length: 7-8mm
 - Withstanding Voltage: 1.6KV
 - Operating temperature: -40°C to +115°C
 - Soldering temperature: 250°C±10°C/5 Sec
 - Safety Approval: us



P.C.B LAYOUT



N=Number of conacts

N=Number of poles
 Dim.A=N×3.5+1
 Dim.B=(N-1)×3.5

Poles	2P~6P	7P~12P	13P~18P	19P~24P
Dim.A	±0.20	±0.25	±0.30	±0.40
Dim.B	±0.15	±0.20	±0.25	±0.30

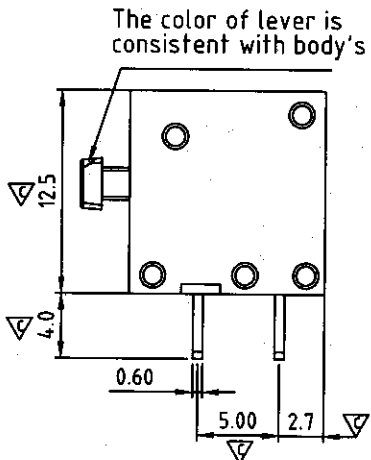
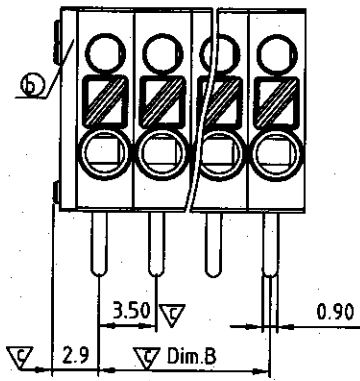
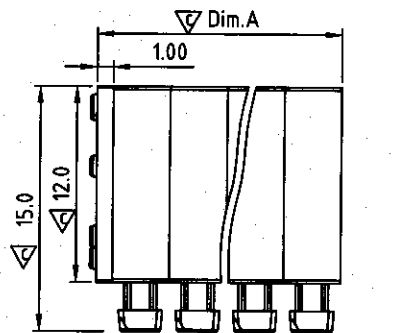


- HX xx 23 x 1 xxxx G
- | | | |
|-------------|--------------------|-----------------|
| 01 1 Poles | 0 Black | G: Pb<40,000ppm |
| 02 2 Poles | 2 Red | |
| | 5 Green(RAL6018/T) | |
| 24 24 Poles | 8 Grey(RAL7004/P) | |
| | 9 White | |
| | C Multiple colors | |

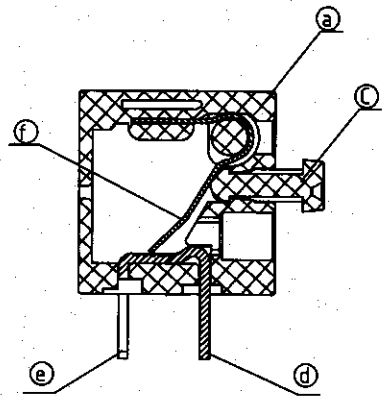
ANYTEK		CUSTOMER COPY	
ALL RIGHTS RESERVED. REPRODUCTION OR ISSUE TO THIRD PARTIES IN ANY FORM WHATSOEVER IS NOT PERMITTED WITHOUT WRITTEN AUTHORITY FROM THE PROPRIETOR. PROPERTY OF ANYTEK TECHNOLOGY CO., LTD			
TITLE: HX 3.5 Series 180° double contact (Wire inlet)		PART NO.: HXxx23x1xxxxG	
DWG NO.: 8HX0204		APPROVED:	
CHECKED:	DESIGNED:	DRAWN:	CUST NO.:
Runner 2010.04.07	Kind 2009.05.27		
SHEET: 01/01		Tolerance: X ±0.50, X.X ±0.30, X.XX ±0.10, X* ±1°	
UNIT: mm		SCALE: NONE	
REV: D			

SIGN	DATE	DESCRIPTION	APPROVER
△	5/27'09	180°HX3.5成品由180°body组成 (底部只有1个螺孔)	Kind
△	04/07'10	增加加脚	Runner
△	04/06'11	Add is spec.	Chen Bo
△	12/28'13	update the drawing	Da cheng

THIS IS CAD DRAWING, DO NOT REVISE MANUALLY!!!



The color of lever is consistent with body's



Material

- Item a Terminal housing: PA66(UL94V-0)
- Item b Terminal cover: PA66(UL94V-0)
- Item c Lever PA66(UL94V-0)
- Item d Solder pin (UP) Brass, Tin plated
- Item e Solder pin (Down) Brass, Tin plated
- Item f Wire guard: Stainless steel

Electrical

- Voltage rating: AC 300V
- Current rating: 10A
- Wire range:
- Solid wire(AWG): 16-26
- Stranded wire(AWG): 16-26
- Wire strip length: 7-8mm
- Withstanding Voltage: 1.6KV
- Operating temperature: -40°C to +115°C
- Soldering temperature: 260°C±5°C/5 Sec
- Safety Approval: cULus
- Critical dimension: ∇

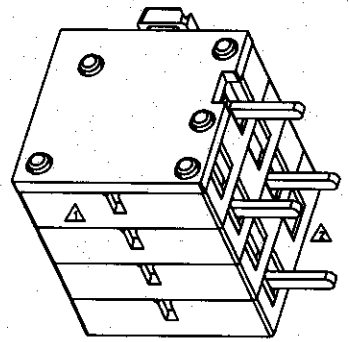
HX xx 22 x 1 xxxx G

- △ NO of poles
- 02 2 poles
- 04 4 poles
-
- 24 24 poles

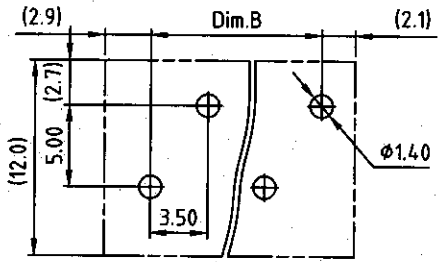
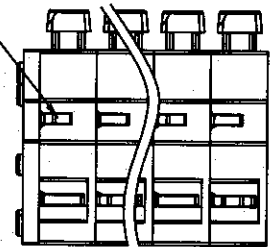
- △ Body Color
- 0 Black (RAL9005)
- 2 Red (RAL3001/U)
- 3 Orange(RAL2011/P)
- 4 Yellow(RAL1018/A)
- 5 Green(RAL6018/T)
- 6 Blue (RAL5015/A)
- 8 Grey(RAL7004/P)
- 9 White(RAL1102)
- C Multiple colors

Rohts compliant (lead<4% in copper Alloy)

0000: "@ Logo (Standard)
000A: "ANYTEK" Mark
Any special item by customer request please contact sales department.



The 1st pole near the cover is single upper contacts



P.C.B LAYOUT
Top view

△N=Number of poles
Dim.A=N×3.5+1
Dim.B=(N-1)×3.5

Poles	2P~6P	8P~12P	14P~18P	20P~24P
Dim.A	±0.20	±0.25	±0.30	±0.40
Dim.B	±0.15	±0.20	±0.25	±0.30

ANYTEK				CUSTOMER COPY			
ALL RIGHTS RESERVED. REPRODUCTION OR ISSUE TO THIRD PARTIES IN ANY FORM WHATSOEVER IS NOT PERMITTED WITHOUT WRITTEN AUTHORITY FROM THE PROPRIETOR. PROPERTY OF ANYTEK TECHNOLOGY CO., LTD							
TITLE		HX 3.5 Series 180° interface contact (Wire inlet) 接线P					
PART NO.		HXxx22x1xxxxG			DWG NO.		8HX0203
APPROVED	CHECKED	DESIGNED	DRAWN	CUST NO.		Tolerance	
		Da cheng	Da cheng			X.	±0.50
		2013.12.28	2013.12.28			X.X	±0.30
SHEET: 01/01				UNIT: mm	X.XX ±0.10		
				SCALE: NONE	X° ±1°		
				REV.: F			