

CAM-K23HR

HSD Connector 4+0 Vertical Reverse

MITSUMI

MODEL NAME	CAM-K23HR
Part Number	R41-A739* (See Coding Chart on Pg. 2)
Description	HSD Connector 4+0 Vertical Reverse
Coding Direction	Reverse

EXTERNAL DIMENSIONS	
Height (mm)	14.15
Width (mm)	12.0
Depth (mm)	19.9
Outer Contact Length (mm)	2.25

PACKING	
Weight/Unit	3.70g
Reel	150 pcs/reel; 450 pcs (3 reels)/Carton



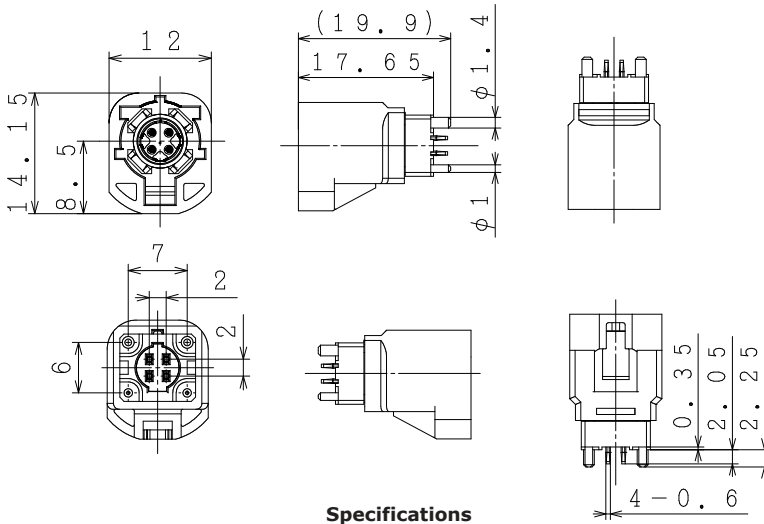
ELECTRICAL PERFORMANCE	
Impedance	100Ω
Frequency	DC to 2 GHz
Return Loss	≥20 dB to 1 GHz; ≥17 dB to 2 GHz
Insertion Loss	≤0.1 dB to 2 GHz
Skew	≤5ps
Near-end Crosstalk	≤30 dB (1 GHz)
Far-end Crosstalk	≤35 dB (1 GHz)
Insulation Resistance	≥1x10 ³ M Ω
Signal Contact Resistance	≤20 mΩ
Outer Contact Resistance	≤20 mΩ
Test Voltage	250Vrms
Working Voltage	100V rms
Power Current	Max. DC 5A
Signal Current	Max. DC 3A
Differential Shielding Effectiveness	≥75dB up to 1 GHz; ≥65dB up to 2 GHz

MECHANICAL PERFORMANCE	
Mating Cycles	≥25
Engagement Force	<=30N for HSD+0; <=60N for HSD+2
Disengagement Force	≥5N
Retention Force Latch	≥110N

ENVIRONMENTAL CONDITIONS	
Temperature Range	-40°C to +105°C
Thermal Shock	DIN EN 60068-2-14
Temperature and Humidity	USCAR 2.4-5.6.2
Vibration	DIN EN 60068-2-64
Mechanical Shock	DIN EN 60068-2-27
Maximum Soldering Temperature	255°C
RoHS Compliant/Lead Free	Yes

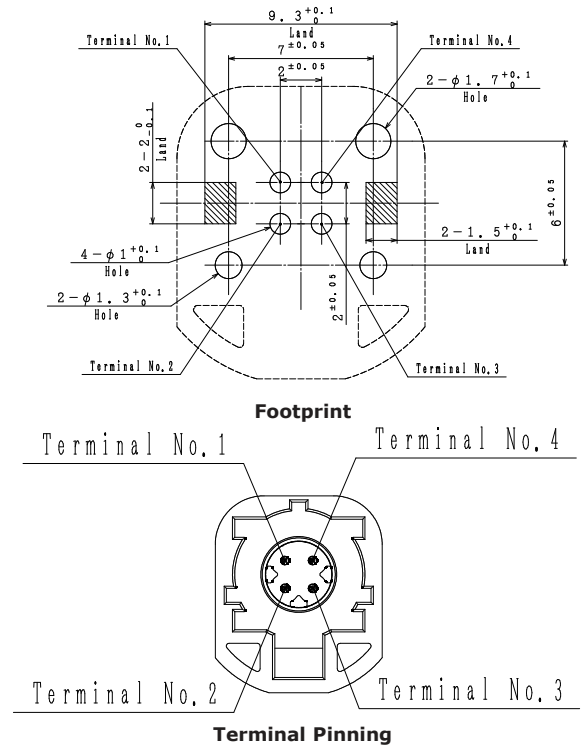
CAM-K23HR

HSD Connector 4+0 Vertical Reverse



Specifications

MATERIALS	
Pin	Copper Alloy
Housing	LCP Resin
Shell	Zinc Alloy
Cover	PA Resin



Ordering Information

HSD Coding				
Shape	Coding	Color	RAL. No.	Part Number
	G	Blue Grey	7031	R41-A739G
	J	Beige	1001	R41-A739J
	K	Curry	1027	R41-A739K
	L	Yellow Green	6018	R41-A739L
	O	Light Green	6027	R41-A739P