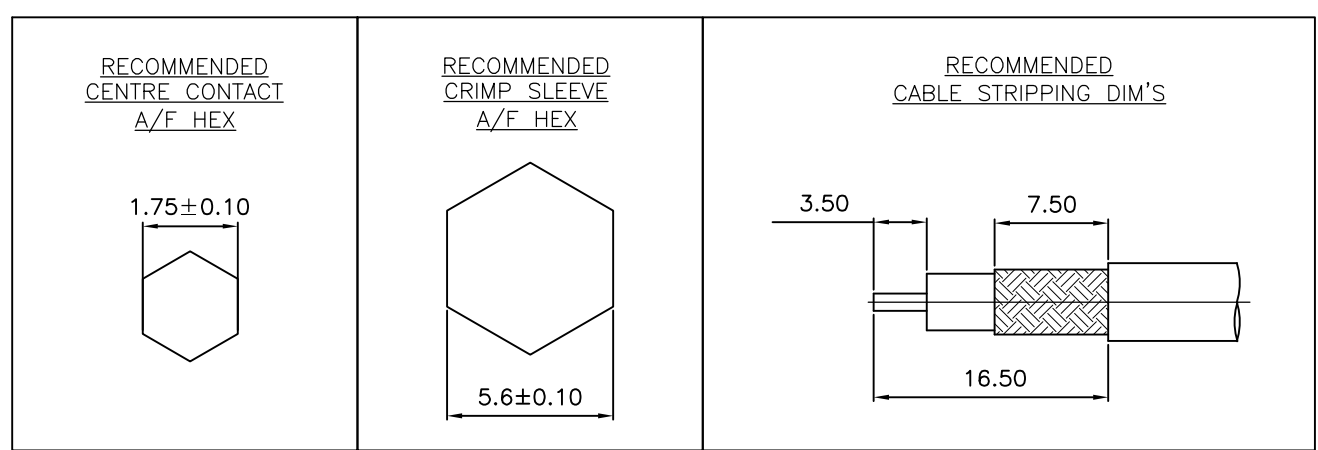
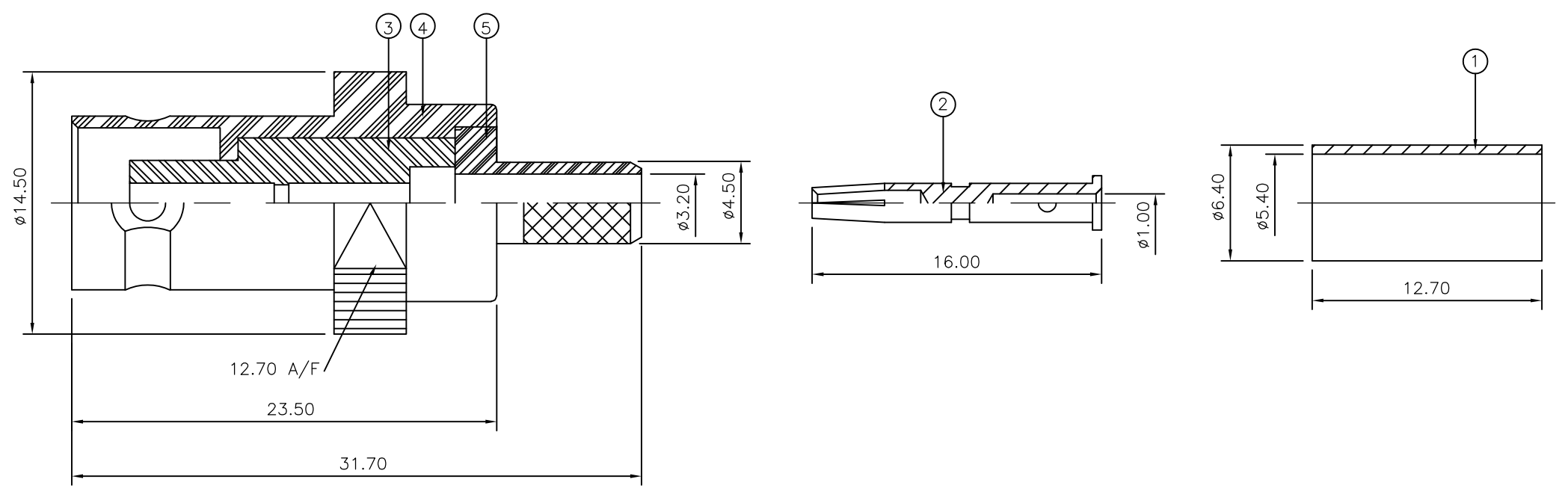


THIS DRAWING IS UNPUBLISHED. RELEASED FOR PUBLICATION NOV ,2005.
 © COPYRIGHT 2005 BY TYCO ELECTRONICS CORPORATION. ALL RIGHTS RESERVED.

LOC	DIST	REVISIONS					
E	B	P	LTR	DESCRIPTION	DATE	DWN	APVD
		C1		ECR-10-005886	18/3/2010	RITA	BOB

- NOTES:**
- 1 PACK IN ACCORDANCE WITH AMP SPEC 107-3275
 - 2 100 TRAY PACK IN ACCORDANCE WITH AMP SPEC 107-3275
 - 3 Au PLATING
 - 4 Ni PLATING
 - 5 HAND TOOL : 9-1478240-0
 - 6 DIE SET : 9-1478242-0
 - 7 ELECTRICAL CHARACTERISTICS
 FREQUENCY RANGE: DC - 4 GHz
 NOMINAL IMPEDANCE: 50 Ohm
 INSULATION RESISTANCE: 5000 MOhm
 WORKING VOLTAGE: 500 Volts RMS at Sea Level
 DIELECTRIC WITHSTAND VOLTAGE: 1500 Volts RMS Max
 CONTACT RESISTANCE:
 CENTRE CONTACT: 1.50 mOhm Max
 OUTER CONTACT: 0.20 mOhm Max
 VSWR @ 4GHz: 1.30:1 Max
 INSERTION LOSS dB @ x 3 GHz: 0.20 Max
 - 8 MECHANICAL CHARACTERISTICS
 COUPLING NUT RETENTION FORCE: N/A
 CABLE RETENTION FORCE: 170N Min
 DURABILITY: 500 Cycles Min
 - 9 ENVIRONMENTAL CHARACTERISTICS
 OPERATING TEMPERATURE: -65 to +165 DegC



QTY	REV	MATERIAL	DESCRIPTION	ITEM
1	1	BRASS	CHASSIS	5
1	1	BRASS	BODY	4
1	1	PTFE	INSULATION	3
1	1	BRASS	CONTACT	2
1	1	BRASS	FERRULE	1
6--0	1--0	MATERIAL	DESCRIPTION	ITEM
QUANTITY PER ASSY		PARTS LIST		

THIS DRAWING IS A CONTROLLED DOCUMENT.		DWN J.SANDWELL 24NOV05	Tyco Electronics Corporation Bideford EX39 4HE	
DIMENSIONS: mm		CHK S.PARLOW 24NOV05	NAME BNC STRAIGHT JACK CRIMP 50 OHM RG58C/U, 141A/U, URM43, 76, KX15	
TOLERANCES UNLESS OTHERWISE SPECIFIED: 0 PLC ± - 1 PLC ± - 2 PLC ± - 3 PLC ± - 4 PLC ± - ANGLES ± - FINISH -		APVD F.WHEELER-KING 24NOV05	PRODUCT SPEC 108-3435	
MATERIAL SEE TABLE		APPLICATION SPEC 411-3247	WEIGHT -	RESTRICTED TO -
CUSTOMER DRAWING		SIZE A3	CAGE CODE 00779	DRAWING NO C-1337441
		SCALE NTS	SHEET 1	OF 1 REV C1