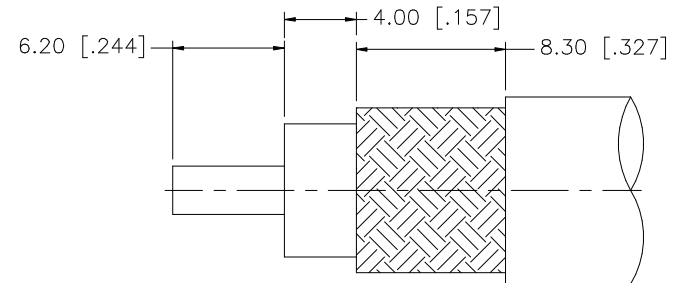
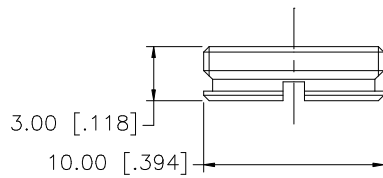
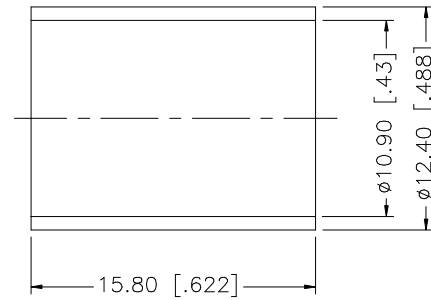
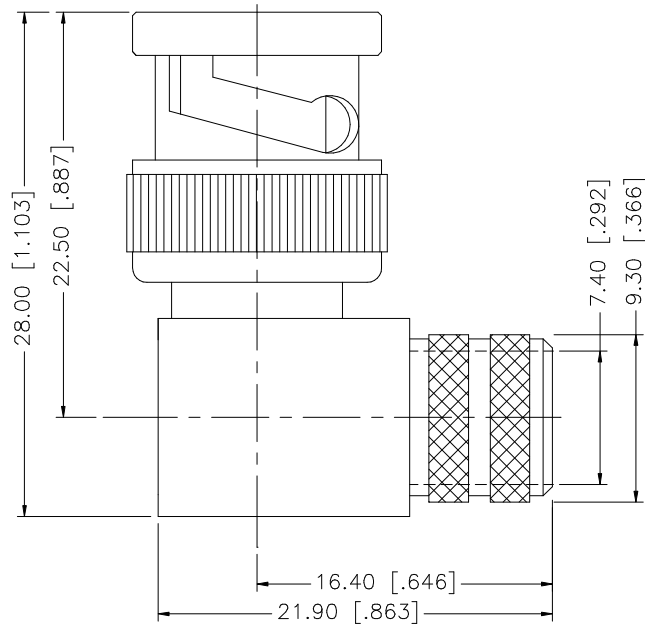


REV.	DATE	DESCRIPTION
NC	06/15/98	INITIAL RELEASE
A	07/20/05	UPDATE DRAWING FORMAT



RECOMMENDED
CABLE STRIPPING DIM'S

NO.	DESCRIPTION	MATERIAL	FINISH	QTY	UNLESS OTHERWISE SPECIFIED DIMENSIONS ARE IN MILLIMETERS. DIMENSIONS IN [] ARE IN INCHES AND FOR CUSTOMER REFERENCE ONLY.	APPROVALS	DATE	Amphenol Connex							
8					UNLESS OTHERWISE SPECIFIED TOLERANCES FOR MILLIMETERS ARE: 0.5 - 8mm ± 0.20mm 8 - 30mm ± 0.40mm 30 - 120mm ± 0.50mm UNLESS OTHERWISE SPECIFIED TOLERANCES FOR INCHES ARE: .020 - .315 = ± 0.007" .315 - 1.180 = ± 0.015" 1.180 - 4.724 = ± 0.020"	DRAWN	G.R.S.	07/20/05	PART DESCRIPTION BNC R/A CRIMP PLUG (FOR BELDEN 9913, 9914, LMR400 CABLE)						
7				CHECKED											
6						ISSUED			PART NO.	112596					
5	COVER	BRASS	NICKEL	1			SHEET	1 OF 1	DWG. NO.	112596.DWG	REV.	A	SIZE	A	SCALE
4	FERRULE	BRASS	NICKEL	1		CAD FILE		C:/112/112596.DWG							
3	CONTACT PIN	BRASS	GOLD	1											
2	INSULATOR	TEFLON	NATURAL	1											
1	BODY	BRASS	NICKEL	1											
					DO NOT SCALE DRAWING										