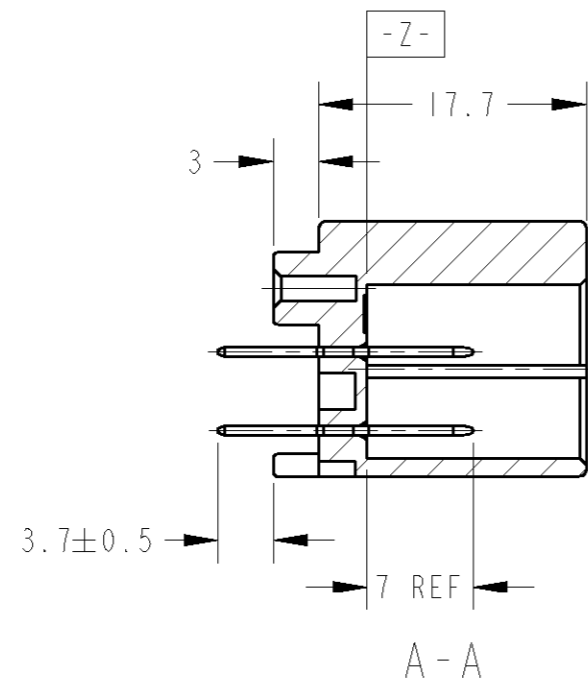
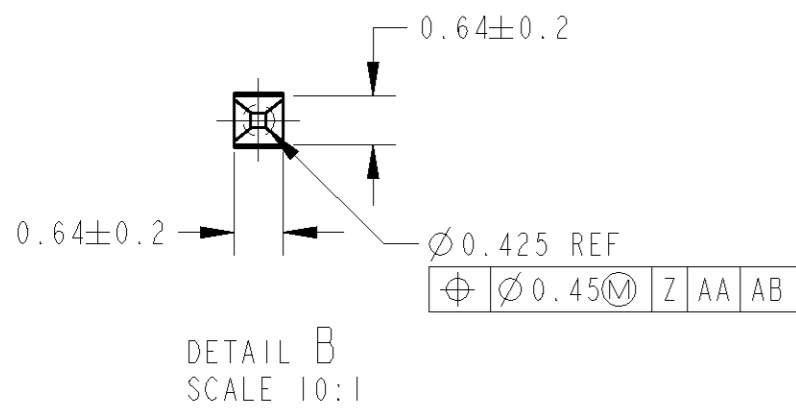
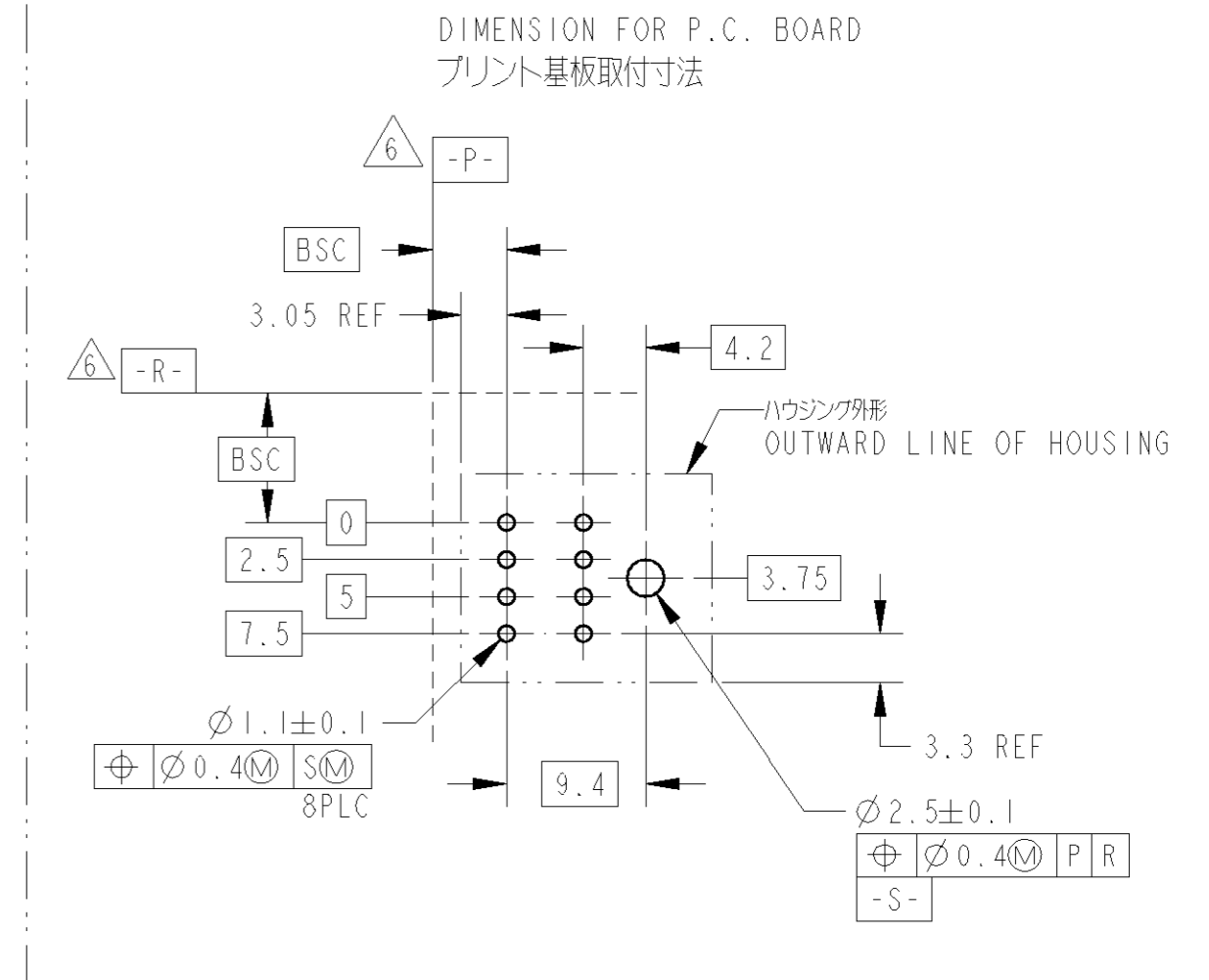
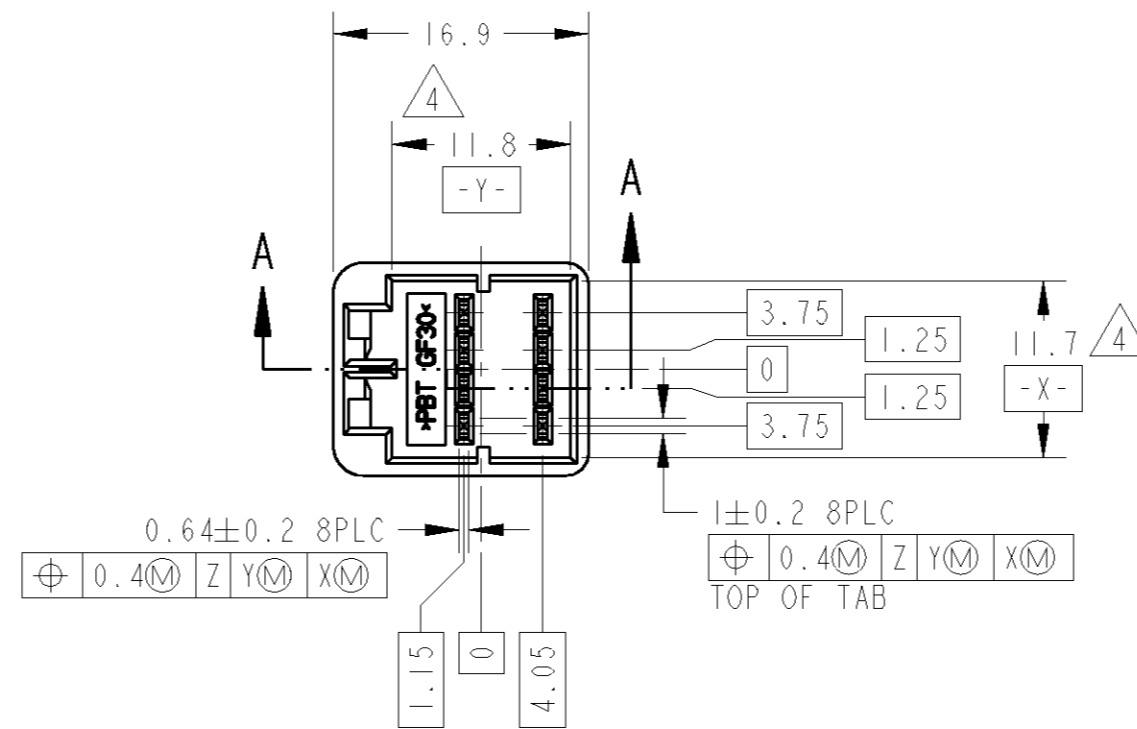
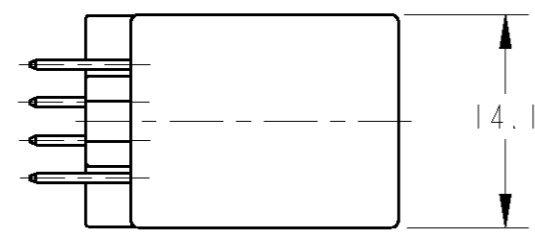
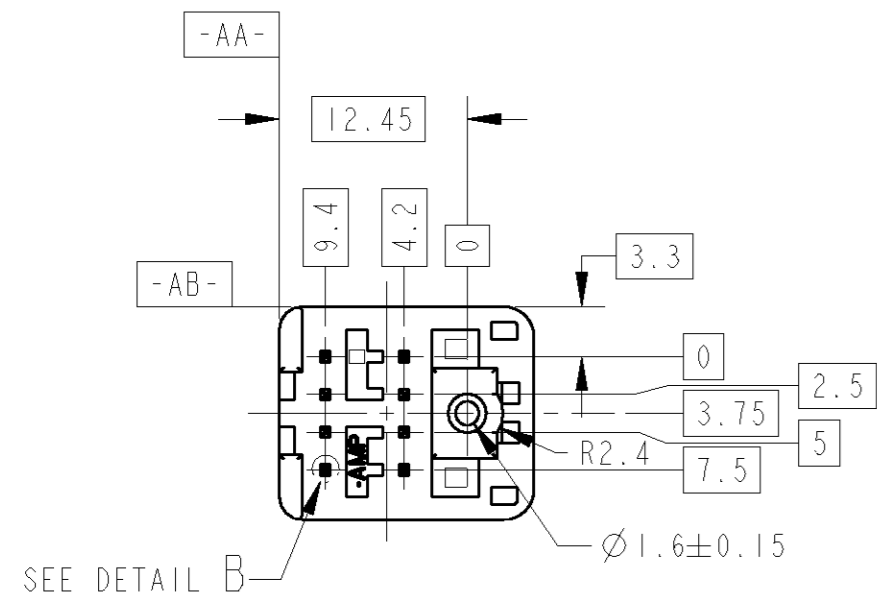


THIS DRAWING IS UNPUBLISHED. RELEASED FOR PUBLICATION 20
 © COPYRIGHT 20 BY TYCO ELECTRONICS CORPORATION. ALL RIGHTS RESERVED.

LOC	DIST	REVISIONS						
J		P	LTR	DESCRIPTION	ECN	DATE	DWN	APVD
		0		RELEASED	FJ00-1040-02	15MAY02	K.S	K.A



1. APPLICABLE P.C.B. BOARD THICKNESS ; 1.6mm
2. RECOMMENDED MOUNTING SCREW 2mm DIA, 6mm LENGTH MAX. PAN HEAD, CLASS 2 TAPPING SCREW SPECIFIED IN JIS B1122. (RECOMMENDED TIGHTENING TORQUE ; 0.22~0.27N.m)
3. MATING PLUG HOUSING ; PN 175964
4. TO BE MEASURED BETWEEN [-Z-] AND 2.
5. PACKING STYLE : INNER - PVC TUBE OUTER - PAPER BOX
6. DATUMS AND BASIC DIMENSION ESTABLISHED BY CUSTOMER

1. 適用プリント基板厚 : 1.6mm
2. 推奨取付ネジ ; JIS B1122 タッピングネジ
なべ2種 呼び径2 長さ6mm
(推奨締め付けトルク : 0.22~0.27N.m)
3. 嵌合相手ハウジング : PN 175964
4. [-Z-] 面から2mmの範囲で測定
5. 梱包形態 : 内装 - PVCチューブ
外装 - タンボール
6. データム及び基準寸法は顧客指定による

PRE-TINNED 錫メッキ	BLACK 黒	1565542-1
FINISH OF CONTACT コンタクト仕上り	COLOR 色	PART NUMBER 型番

THIS DRAWING IS A CONTROLLED DOCUMENT FOR TYCO ELECTRONICS CORPORATION. IT IS SUBJECT TO CHANGE AND THE CONTROLLING ENGINEERING ORGANIZATION SHOULD BE CONTACTED FOR THE LATEST REVISION.		DWN K. SHIGA 15MAY02	Tyco Electronics AMP K.K. Kawasaki, Japan	
DIMENSIONS: 単位: ㎜	TOLERANCES UNLESS OTHERWISE SPECIFIED: 一般公差: ±0.3	CHK K. ASAI 15MAY02	NAME 8POSITIONS CAP HOUSING ASSEMBLY 040 MULTILOCK CONNECTOR MK-II VERTICAL TYPE	
		APVD K. ASAI 15MAY02		
MATERIAL 材料	FINISH 仕上	PRODUCT SPEC 製造規格 108-5281	SIZE A2	DRAWING NO C=1565542
		APPLICATION SPEC 取付適用規格	CAGE CODE 00779	
PBT	SEE TABLE	WEIGHT 3.4 g	SCALE 2:1	SHEET 1 OF 1
CUSTOMER DRAWING			REV 0	