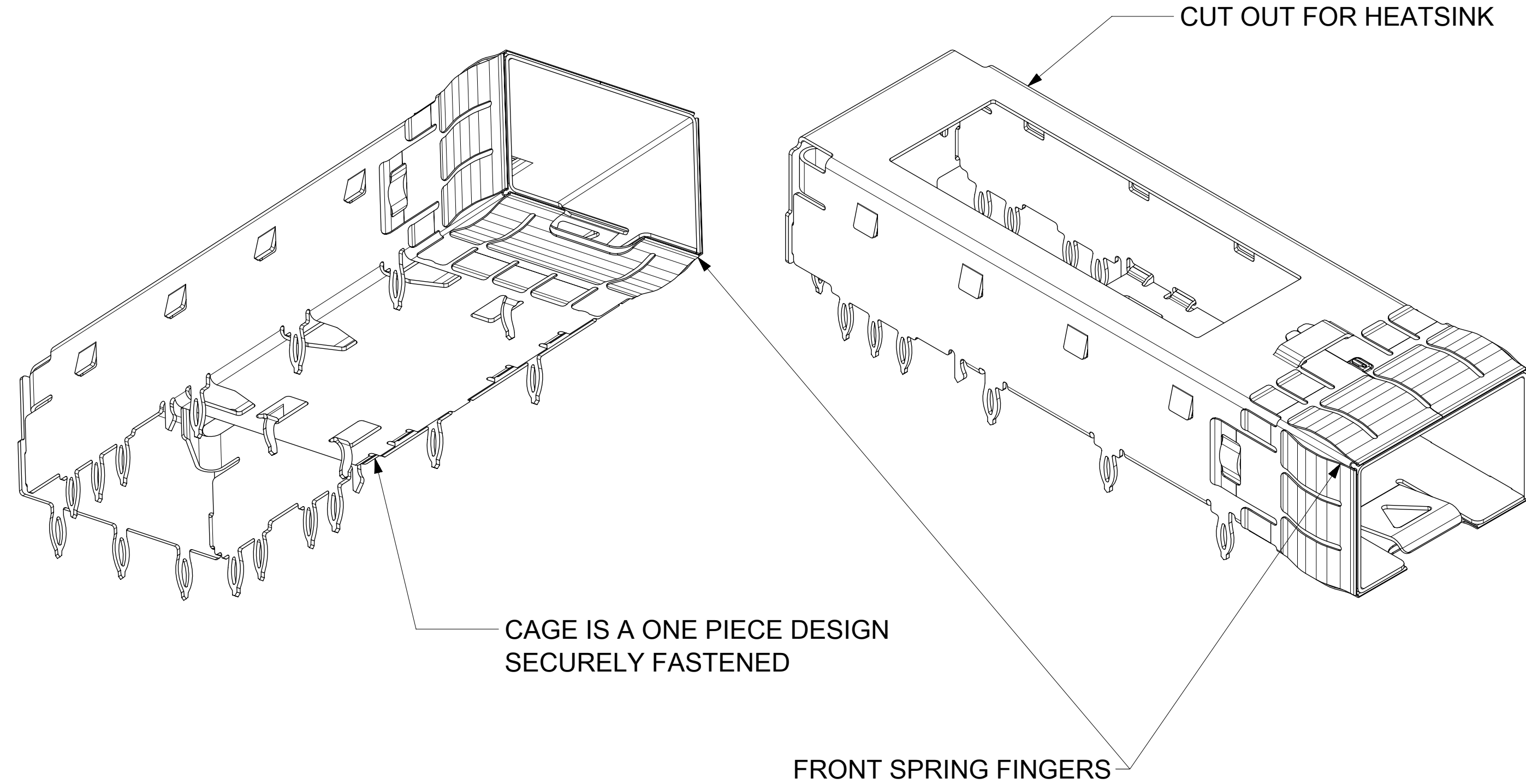
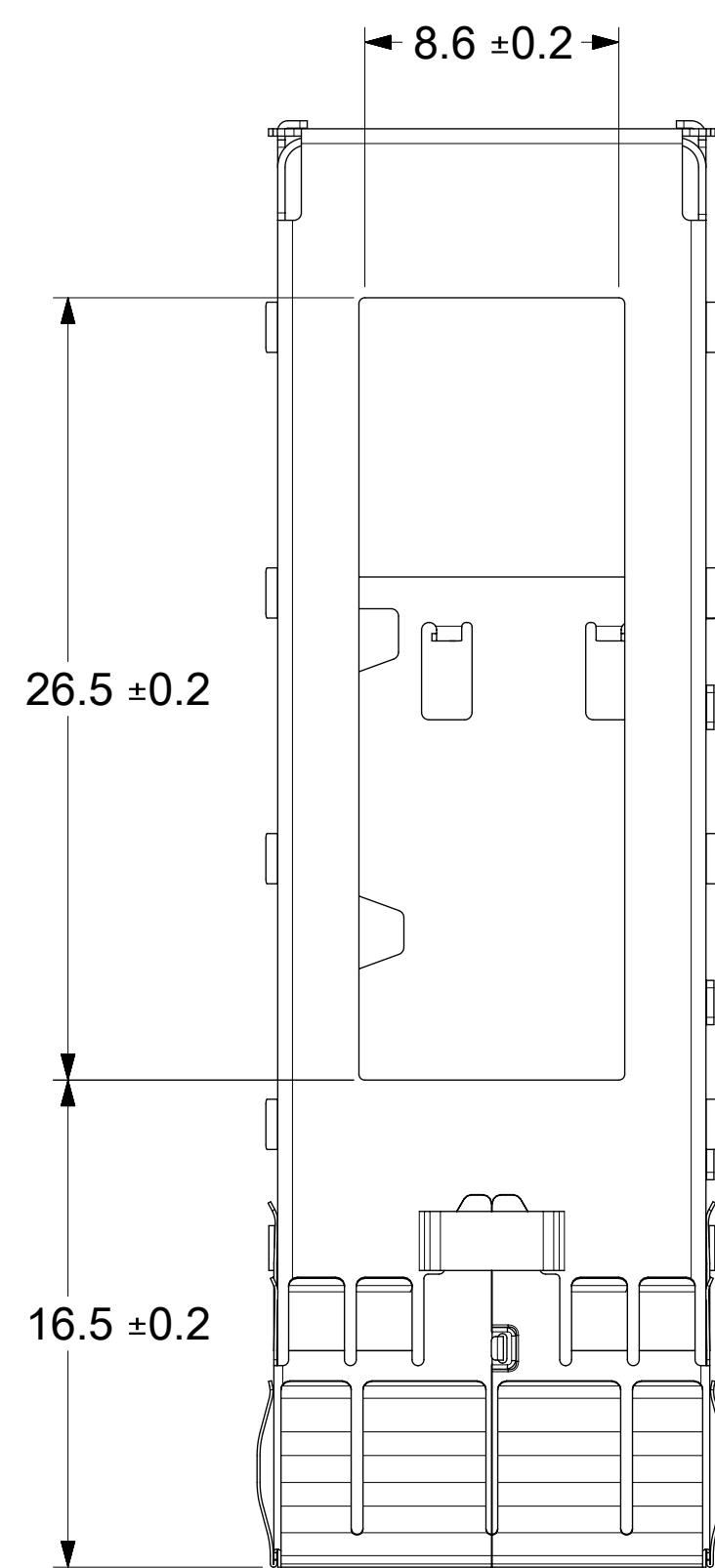
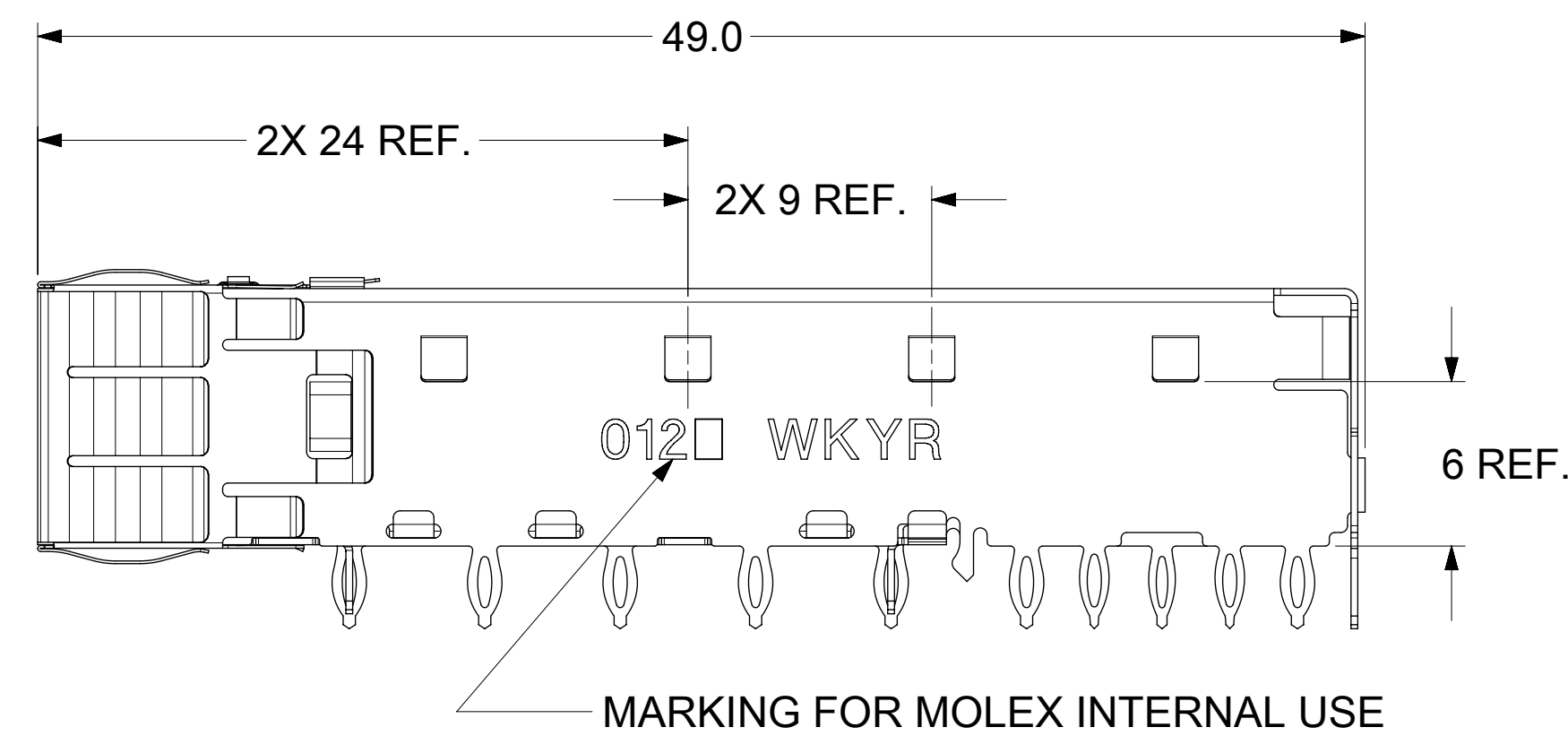
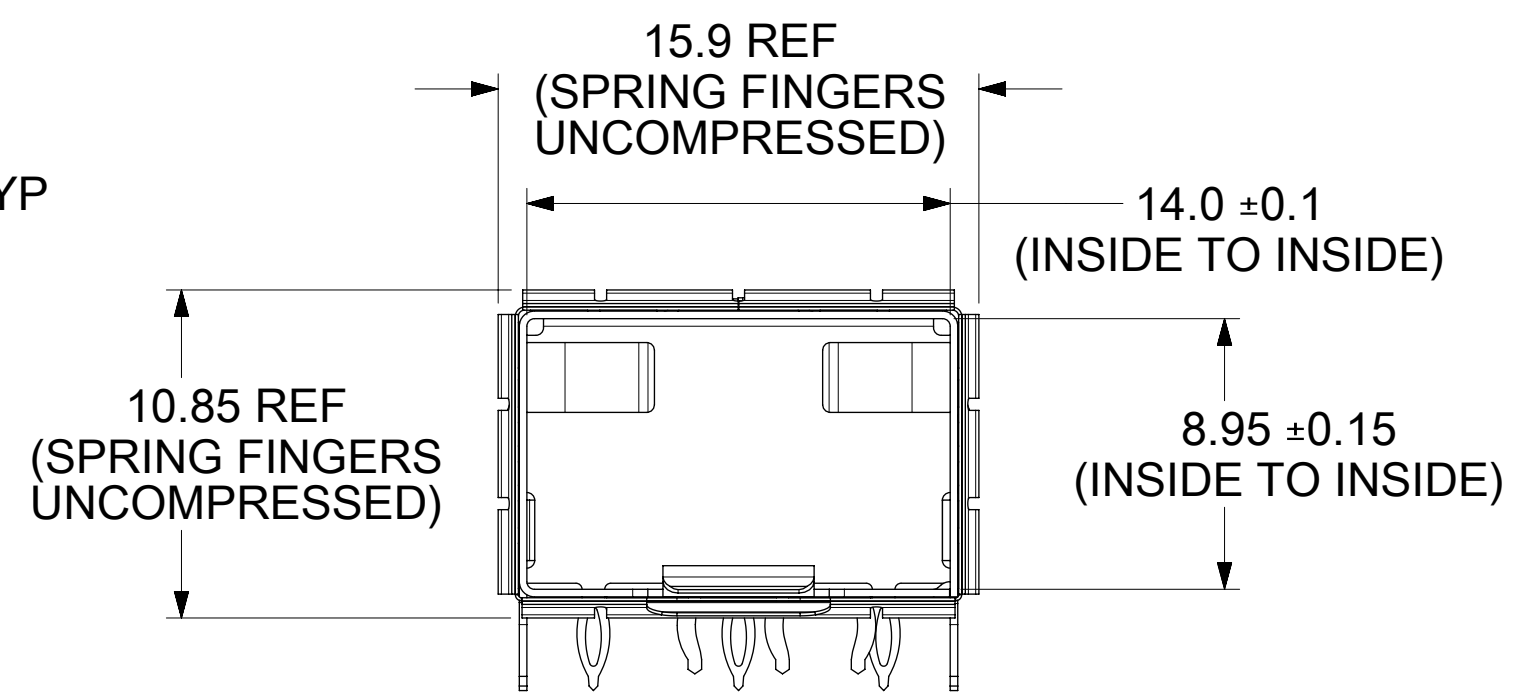
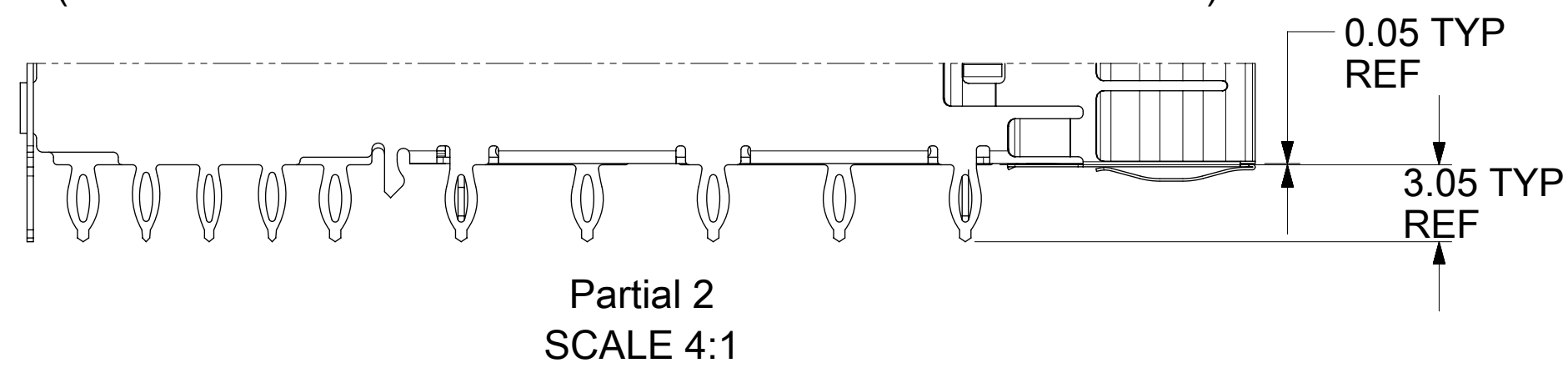


111128101 SHOWN

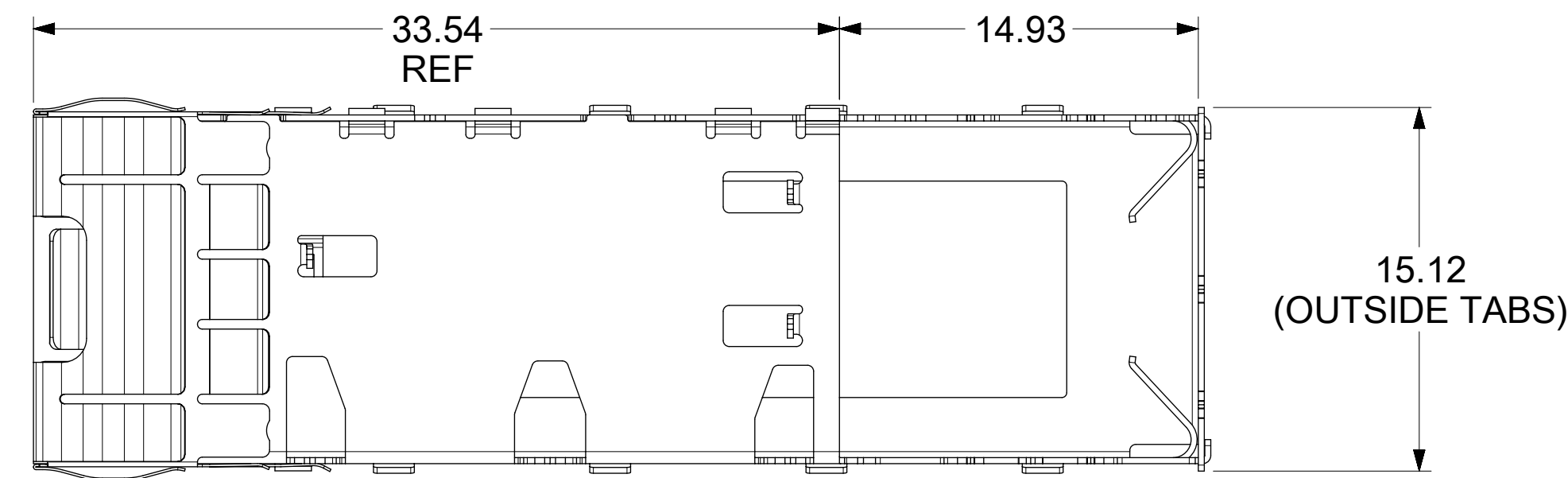
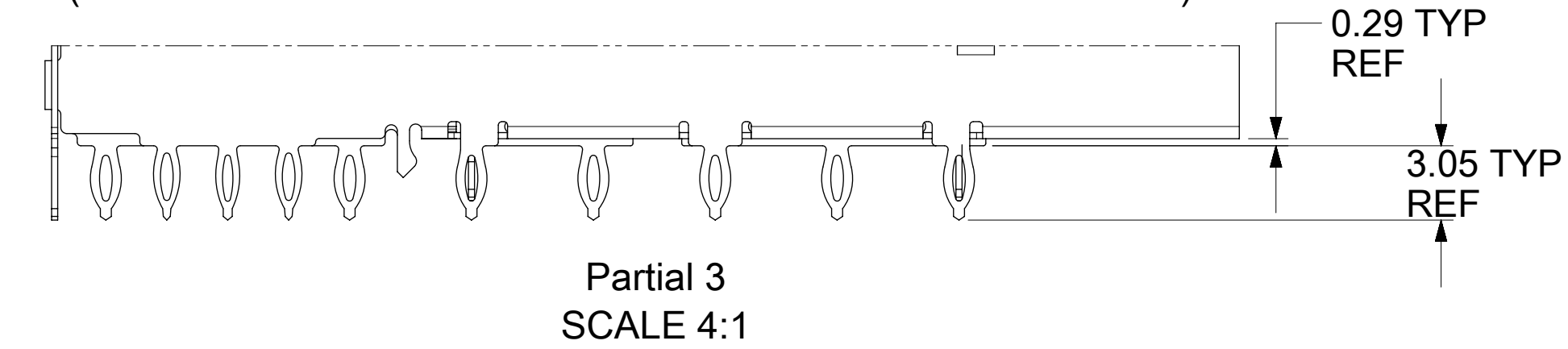
HEATSINK AND HEATSINK SPRING CLIP
REMOVED TO SHOW CAGE DETAIL
PART NUMBER 111112-8101 SHOWN



STANDARD CAGE 111112-0101
(SPRING FINGER REMOVED FROM THIS VIEW FOR CLARITY)



SPECIAL CAGE 111112-0117 WITH LENGTHENED PRESS FIT PINS
(SPRING FINGER REMOVED FROM THIS VIEW FOR CLARITY)



- NOTES:
- MATERIAL:**
CAGE: 0.25mm THICK COPPER ALLOY, NICKEL PLATED.
FRONT SPRING FINGERS: STAINLESS STEEL.
HEATSINK: ALUMINUM, NICKEL PLATED.
HEATSINK SPRING CLIP: STAINLESS STEEL.
 - PRESS FIT LEGS 3.05mm LONG:**
1.57mm MINIMUM PCB THICKNESS FOR SINGLE SIDED USE.
 - PORTS ARE DESIGNED FOR SFP+ TRANSCEIVERS AND ARE COMPATIBLE WITH SFP TRANSCEIVERS.**
THE TOP SURFACE OF THE MODULE MUST BE FLAT (NO PRODUCT LABEL RECESS) AND THERMALLY CONDUCTIVE TO FUNCTION OPTIMALLY.
 - WELD SPOTS WILL SHOW SLIGHT MATERIAL DISCOLORATION.**
 - NO ROHS EXEMPTIONS.**
 - CUSTOM HEATSINKS AVAILABLE UPON REQUEST.**
 - CAGE ASSEMBLY, HEATSINK, AND HEATSINK SPRING CLIP SHIPPED ASSEMBLED.**
 - THE MOLEX CAGE REQUIRES USING THE MOLEX HEATSINK SPRING CLIP.**

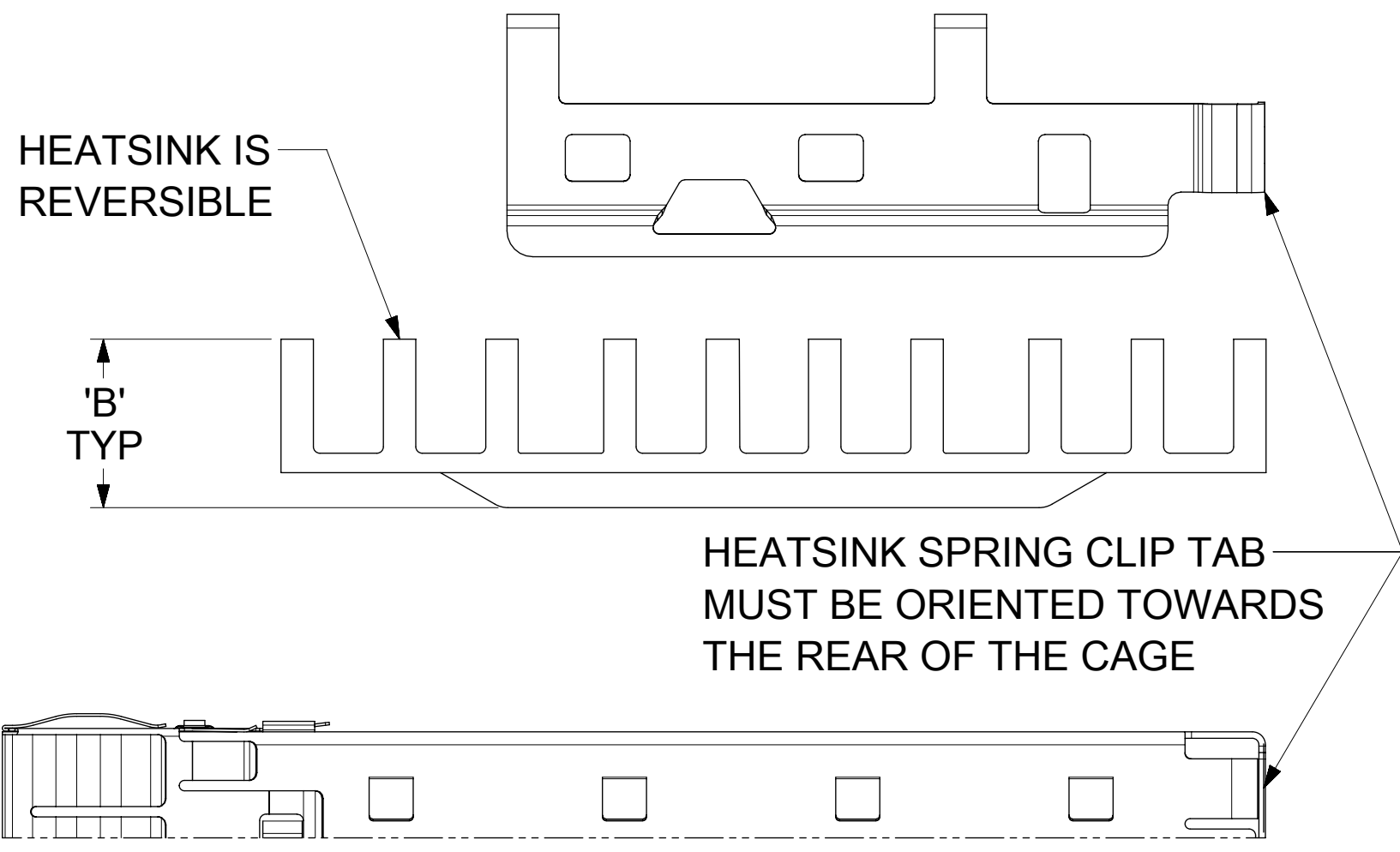
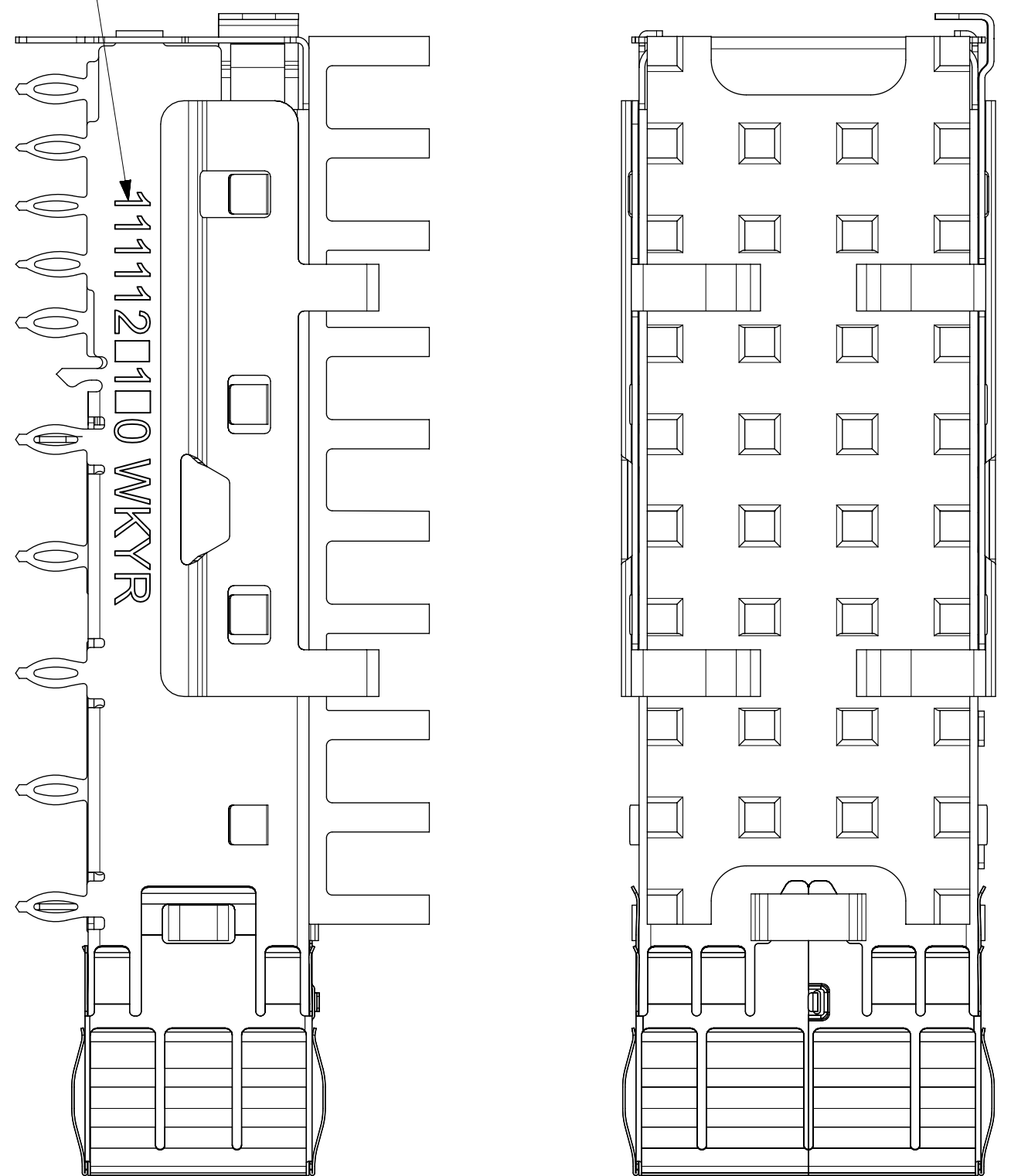
FUNCTIONAL SYMBOLS	THIS DRAWING CONTAINS INFORMATION THAT IS PROPRIETARY TO MOLEX ELECTRONIC TECHNOLOGIES, LLC AND SHOULD NOT BE USED WITHOUT WRITTEN PERMISSION		CURRENT REV DESC: SEE REVISION TABLE					
	FA = 0	mm	SCALE	4:1				
DIVISIONAL SYMBOLS	GENERAL TOLERANCES (UNLESS SPECIFIED)		EC NO: 707262		SFP+ 1X1 CAGE ASSY PRESS FIT TYPE, W/ SUS EMI SPRING FINGERS & HEAT SINK PRODUCT CUSTOMER DRAWING			
	EA = 0	4 PLACES	±	2022/04/07				
DIVISIONAL SYMBOLS	EB = 0	3 PLACES	±	2022/05/25	DOCUMENT NUMBER			
	EP = 0	2 PLACES	± 0.13	2022/05/27	1111128101			
		1 PLACE	± 0.25	2022/04/07	PSD	DOC TYPE	DOC PART	REVISION
		0 PLACES	±	2022/05/27	AS Y	A		
DRAFT WHERE APPLICABLE MUST REMAIN WITHIN DIMENSIONS		THIRD ANGLE PROJECTION		DRAWING	SERIES	MATERIAL NUMBER	CUSTOMER	SHEET NUMBER
		D-SIZE		111112	SEE SHEET 2			1 OF 5

111112-9120
SHOWN ASSEMBLED

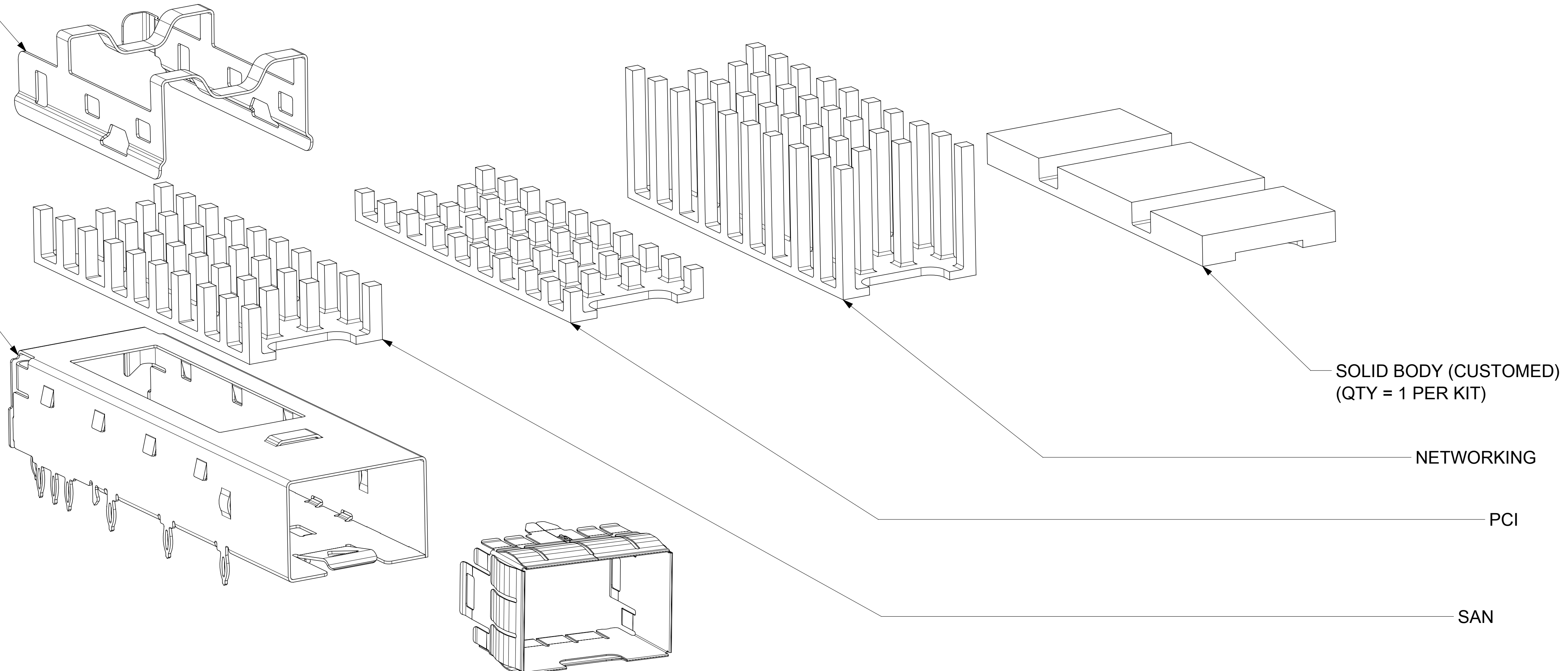
HEATSINK SPRING CLIP
MATERIAL NUMBER
111112-1001
(REFERENCE)

SFP+ CAGE ASSEMBLY
WITH FRONT SPRING FINGERS

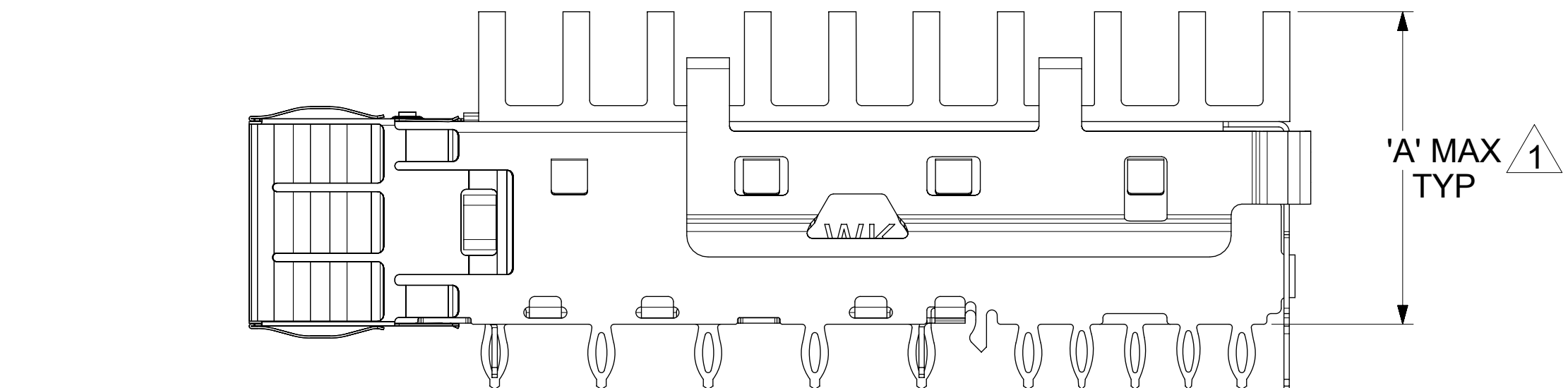
CAGE IDENTIFICATION:
KIT MATERIAL NUMBER
DATE CODE:
WK = WEEK 01 THROUGH 52.
EXAMPLE: 01 = FIRST WEEK OF YEAR, 52 = LAST WEEK OF YEAR
YR = LAST TWO DIGITS OF THE YEAR. 22, 23, 24,
ETC. EXAMPLE: 2022 = 22.



EXPLODED VIEW



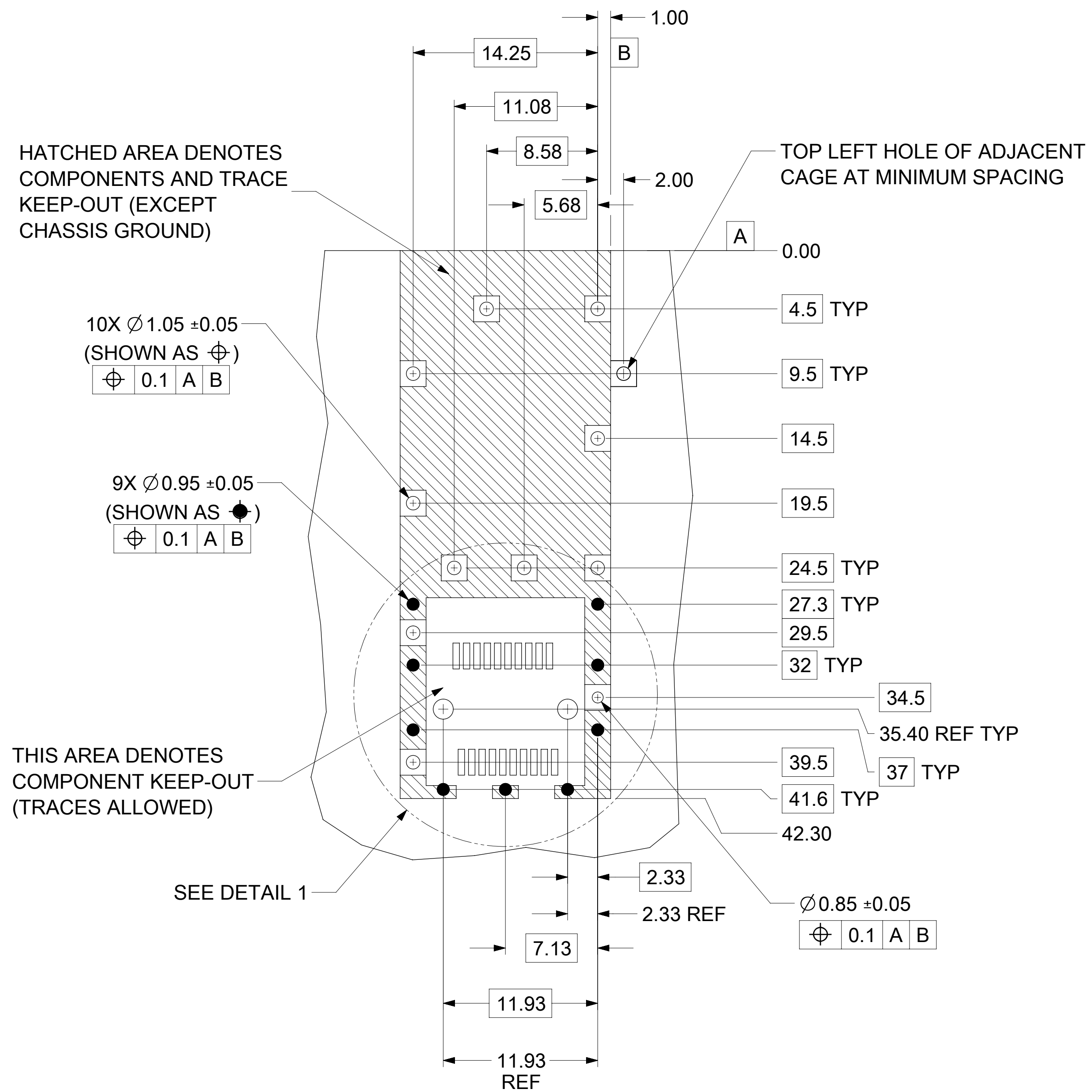
KIT MAT'L NUMBER	APPLICATION	CAGE ASSY	ASSEMBLED DIM 'A'	HEATSINK DIM 'B' (REF)	HEATSINK MAT'L NO. (REF)	POLYIMIDE GASKET ATTACHED
STANDARD CAGE						
111112-8120	PCI	111112-8101	14.0	4.2	111112-2001	NO
111112-9120	SAN	111112-8101	16.3	6.5	111112-2002	NO
111112-7120	NETWORKING	111112-8101	23.3	13.5	111112-2003	NO
111112-8121	SOLID BODY	111112-8101	14.15	4.4	111112-2030	NO



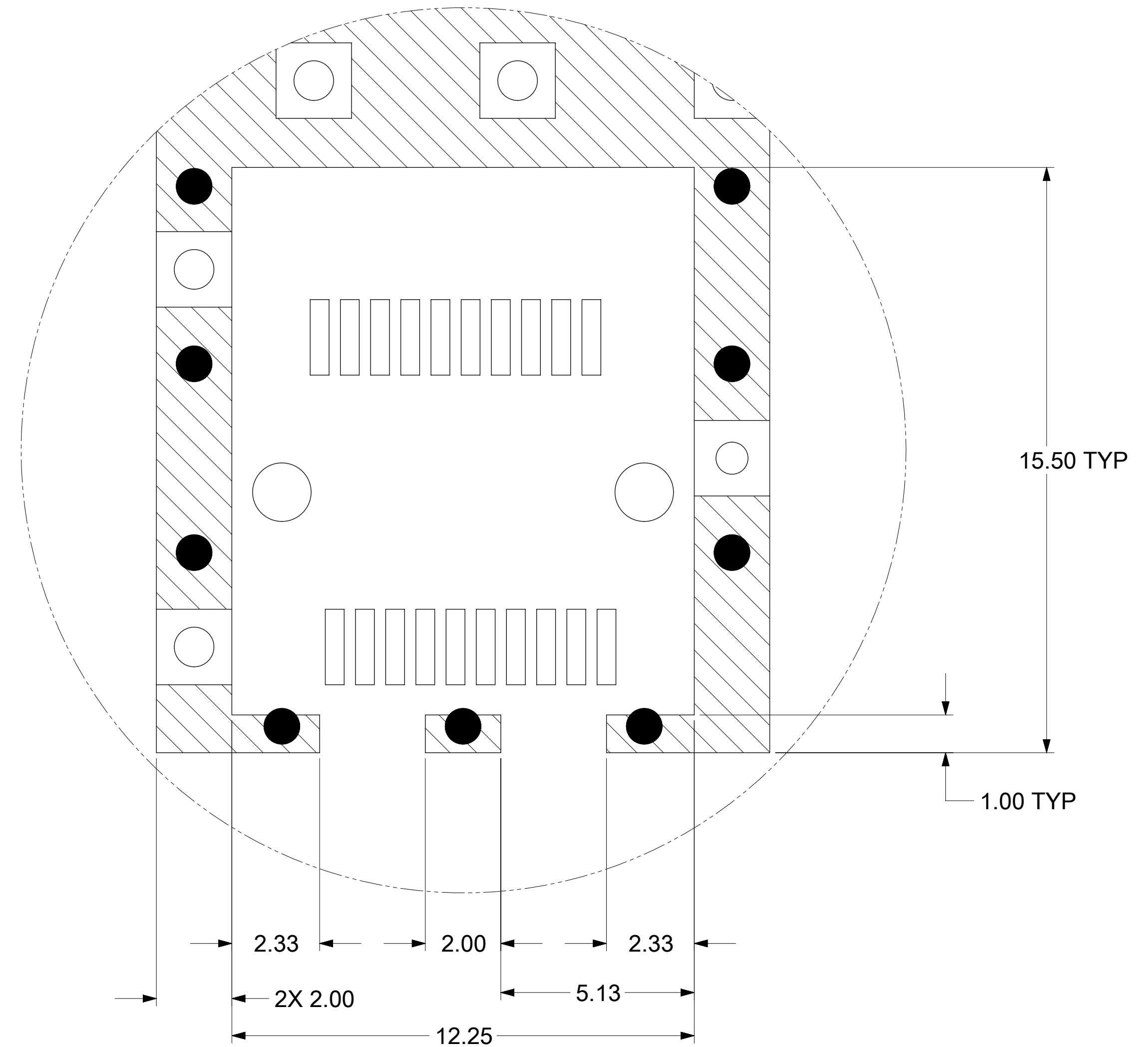
1 HEIGHT OF HEATSINK WITH MODULE INSERTED.
DIMENSION MAY BE LESS DUE TO MODULE AND HEATSINK VARIATIONS.

FUNCTIONAL SYMBOLS FA = 0 FE = 0 FP = 0	THIS DRAWING CONTAINS INFORMATION THAT IS PROPRIETARY TO MOLEX ELECTRONIC TECHNOLOGIES, LLC AND SHOULD NOT BE USED WITHOUT WRITTEN PERMISSION		CURRENT REV DESC: SEE REVISION TABLE	
	DIMENSION UNITS mm	SCALE 4:1		
DIVISIONAL SYMBOLS	GENERAL TOLERANCES (UNLESS SPECIFIED)		EC NO: 707262	
	ANGULAR TOL ± 1.0°		DRWN: ABHILT2	2022/04/07
	4 PLACES ±	3 PLACES ±	CHK'D: TKUMARKC	2022/05/25
	2 PLACES ± 0.13	1 PLACE ± 0.25	APPR: SCHIEN	2022/05/27
	0 PLACES ±		INITIAL REVISION: DRWN: ABHILT2 APPR: SCHIEN	2022/04/07 2022/05/27
DRAFT WHERE APPLICABLE MUST REMAIN WITHIN DIMENSIONS		THIRD ANGLE PROJECTION	DRAWING D-SIZE	SERIES 111112
DOCUMENT STATUS P1		RELEASE DATE 2022/05/27 10:20:26	DOCUMENT NUMBER 1111128101	
			MATERIAL NUMBER SEE SHEET 2	CUSTOMER PSD ASY A
			SHEET NUMBER 2 OF 5	

PCB LAYOUT FOR SINGLE SIDE MOUNT



HOST CONNECTOR DETAIL



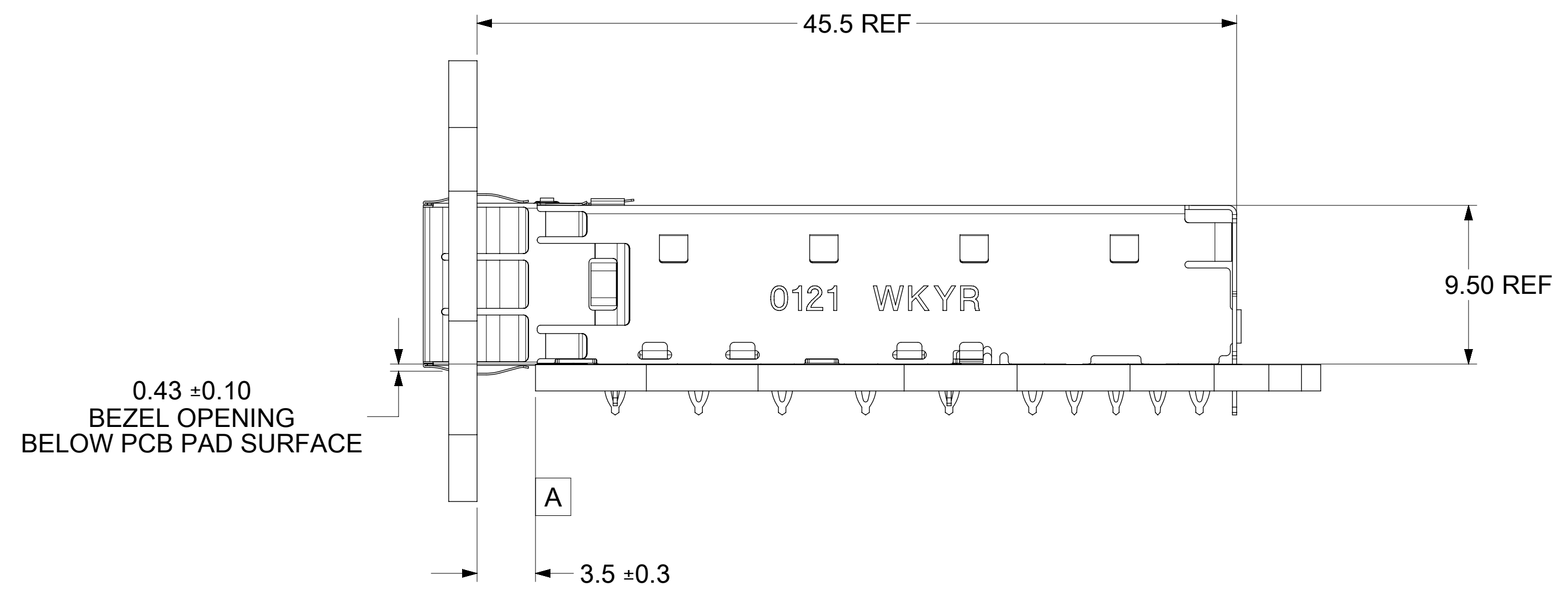
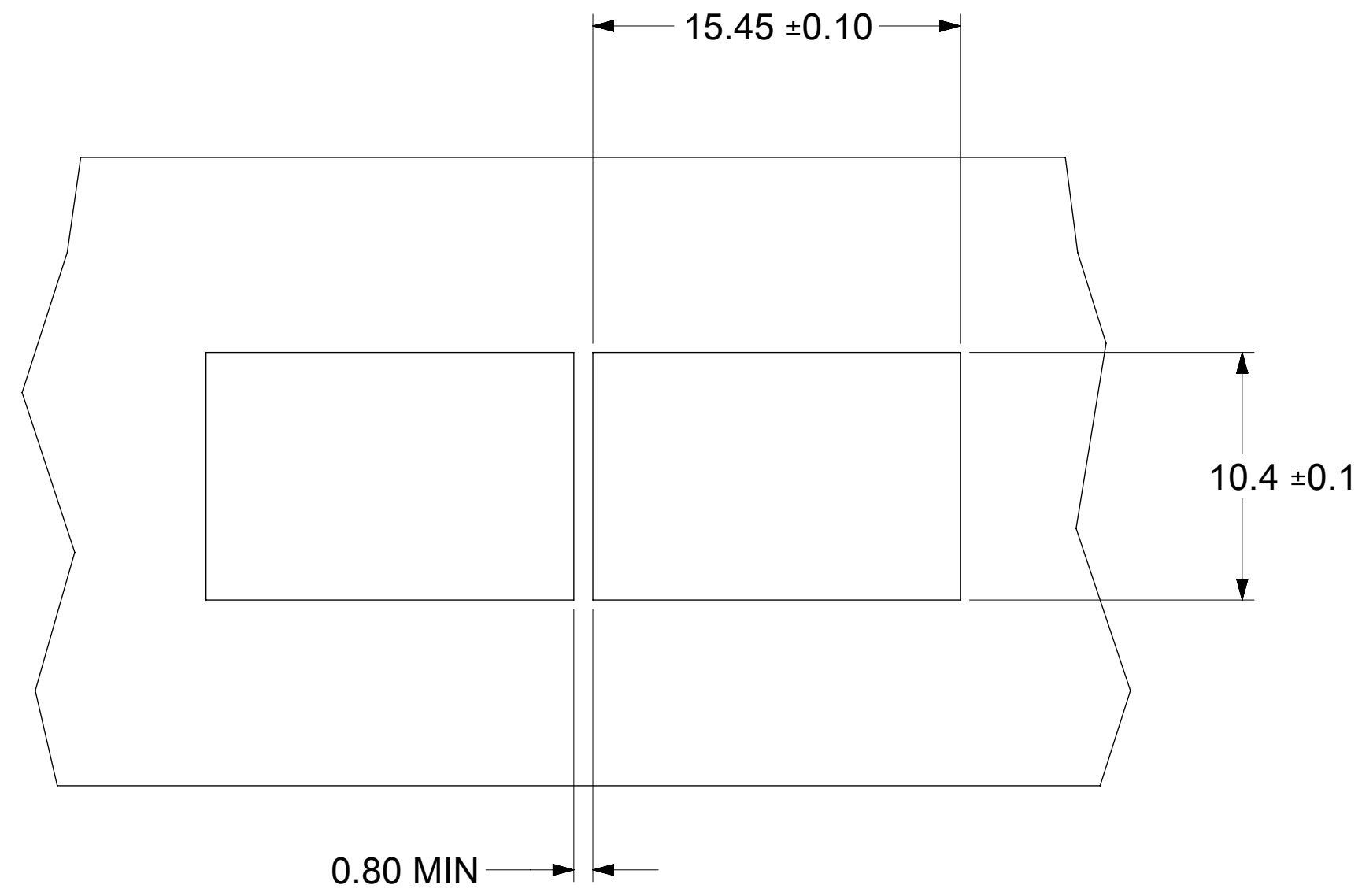
DETAIL 1
SCALE 10:1

NOTES:

1. PADS AND VIAS CONNECT TO CHASSIS GROUND (RECOMMEND PADS TO BE 2.00mm SQUARE)
2. RECOMMENDED THRU HOLE PLATING INCLUDES HASL, OSP, OR IMMERSION (GOLD, SILVER, OR TIN).
3. CONNECTOR PAD LAYOUT PER SFP+ MSA WILL ACCOMMODATE MOLEX CONNECTOR SERIES 74441 OR EQUIVALENT.

FUNCTIONAL SYMBOLS	THIS DRAWING CONTAINS INFORMATION THAT IS PROPRIETARY TO MOLEX ELECTRONIC TECHNOLOGIES, LLC AND SHOULD NOT BE USED WITHOUT WRITTEN PERMISSION		CURRENT REV DESC: SEE REVISION TABLE		molex
	FA = 0	mm	SCALE 4:1		
DIVISIONAL SYMBOLS	GENERAL TOLERANCES (UNLESS SPECIFIED)		EC NO: 707262		SFP+ 1X1 CAGE ASSY PRESS FIT TYPE, W/ SUS EMI SPRING FINGERS & HEAT SINK
	FC = 0	ANGULAR TOL ± 1.0°		DRWN: ABHILT2 2022/04/07	
DIVISIONAL SYMBOLS	FP = 0	4 PLACES	±	CHK'D: TKUMARKC 2022/05/25	PRODUCT CUSTOMER DRAWING
		3 PLACES	±	APPR: SCHIEN 2022/05/27	
		2 PLACES	± 0.13	INITIAL REVISION:	DOCUMENT NUMBER
		1 PLACE	± 0.25	DRWN: ABHILT2 2022/04/07	1111128101
	0 PLACES	±	APPR: SCHIEN 2022/05/27	DOC TYPE	
DRAFT WHERE APPLICABLE MUST REMAIN WITHIN DIMENSIONS		THIRD ANGLE PROJECTION		DRAWING	DOC PART
				SERIES	REVISION
				D-SIZE	PSD ASY A
				MATERIAL NUMBER	
				CUSTOMER	
				SHEET NUMBER	
				SEE SHEET 2	3 OF 5

BEZEL AND BOARD POSITION DIMENSIONS FOR SINGLE SIDE MOUNTING (SPRING FINGER)



FUNCTIONAL SYMBOLS	THIS DRAWING CONTAINS INFORMATION THAT IS PROPRIETARY TO MOLEX ELECTRONIC TECHNOLOGIES, LLC AND SHOULD NOT BE USED WITHOUT WRITTEN PERMISSION		
	DIMENSION UNITS	SCALE	CURRENT REV DESC: SEE REVISION TABLE
$\nabla_A = 0$	mm	1:1	EC NO: 707262 DRWN: ABHILT2 2022/04/07 CHK'D: TKUMARKC 2022/05/25 APPR: SCHIEN 2022/05/27 INITIAL REVISION: DRWN: ABHILT2 2022/04/07 APPR: SCHIEN 2022/05/27
$\nabla_C = 0$	GENERAL TOLERANCES (UNLESS SPECIFIED)		
$\nabla_P = 0$	ANGULAR TOL ± 1.0°		
DIVISIONAL SYMBOLS	4 PLACES	±	
	3 PLACES	±	
	2 PLACES	± 0.13	
	1 PLACE	± 0.25	
	0 PLACES	±	
DRAFT WHERE APPLICABLE MUST REMAIN WITHIN DIMENSIONS		THIRD ANGLE PROJECTION	DRAWING D-SIZE SERIES 111112 MATERIAL NUMBER SEE SHEET 2 CUSTOMER SHEET NUMBER 4 OF 5

molex

SFP+ 1X1 CAGE ASSY PRESS FIT TYPE,
W/ SUS EMI SPRING FINGERS & HEAT SINK

PRODUCT CUSTOMER DRAWING

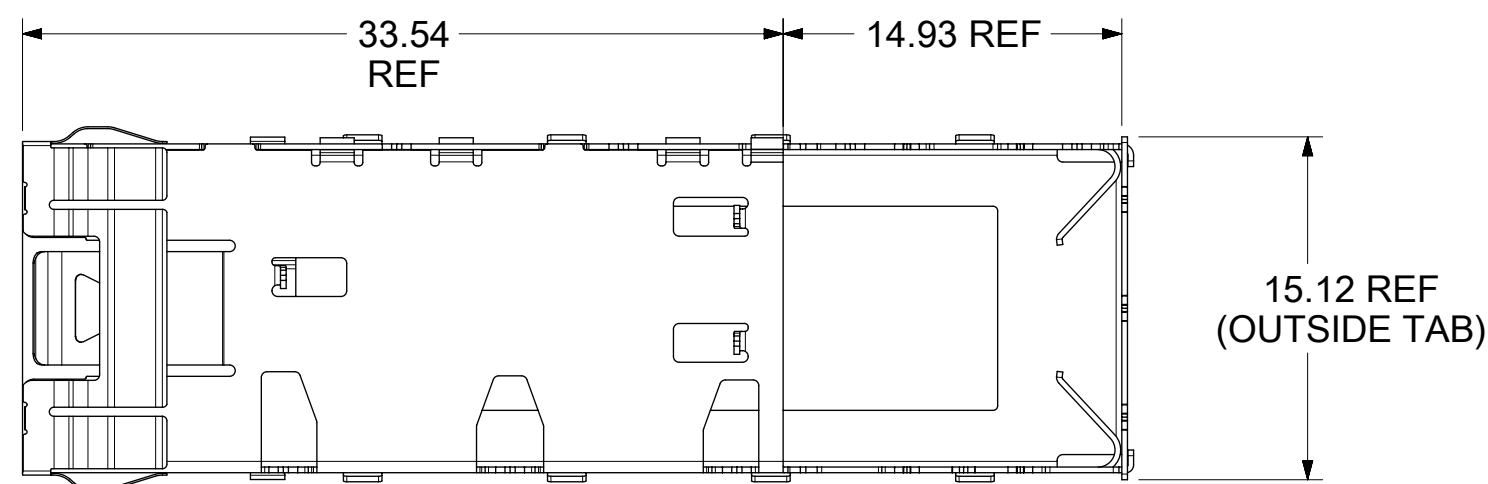
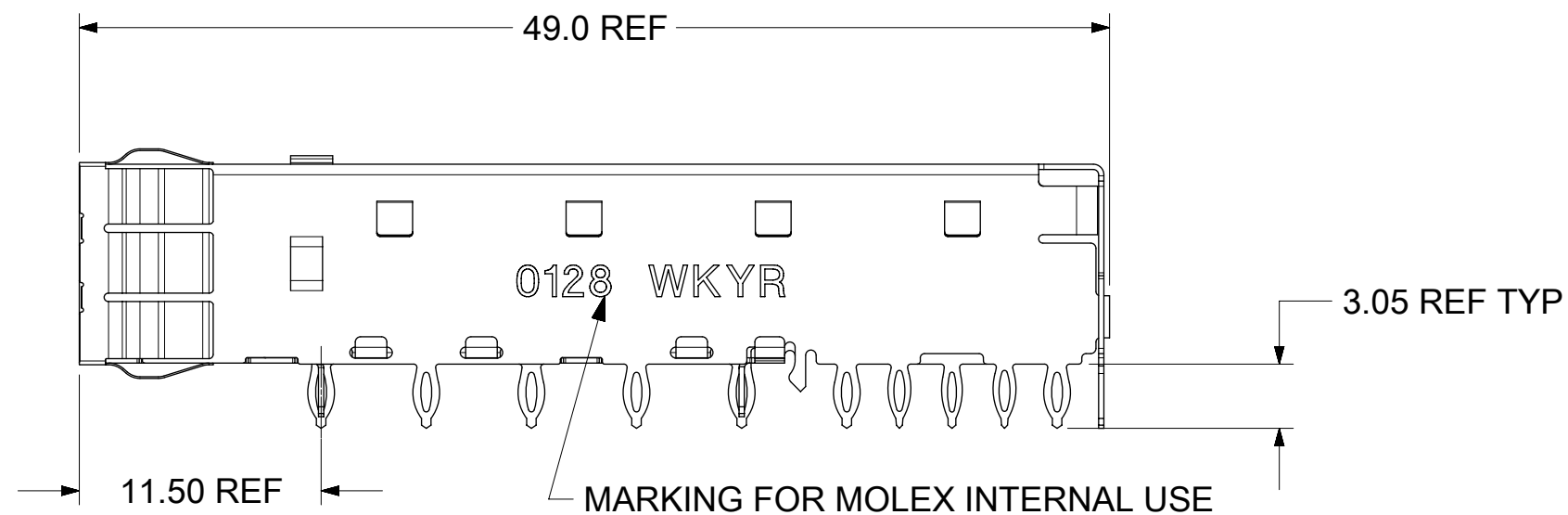
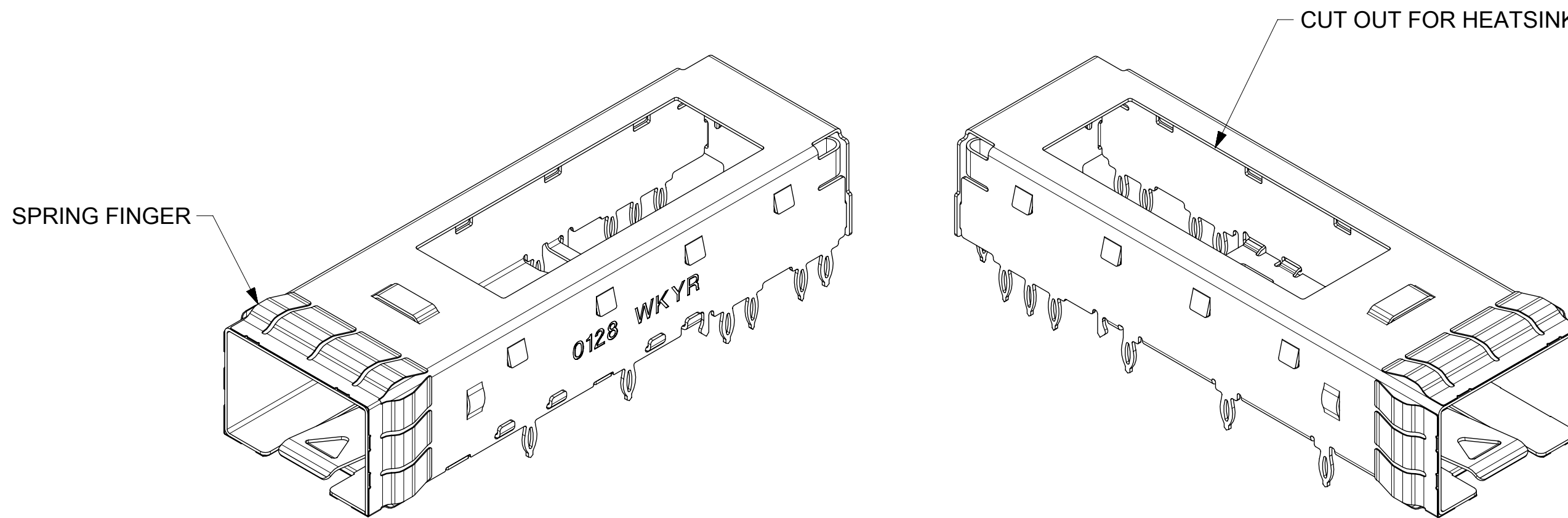
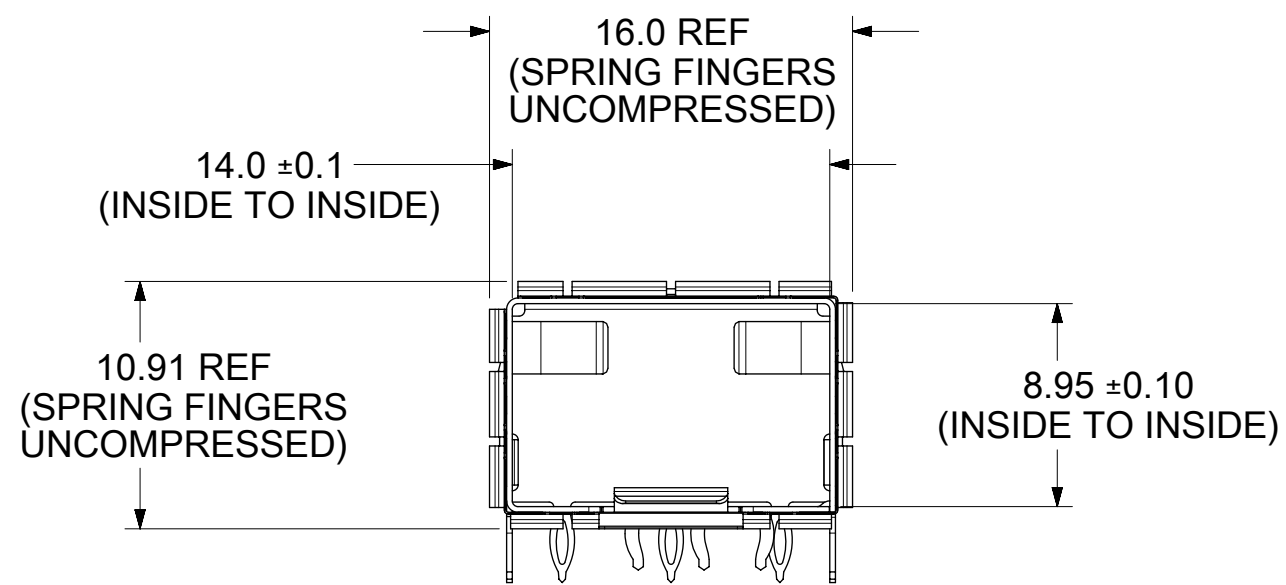
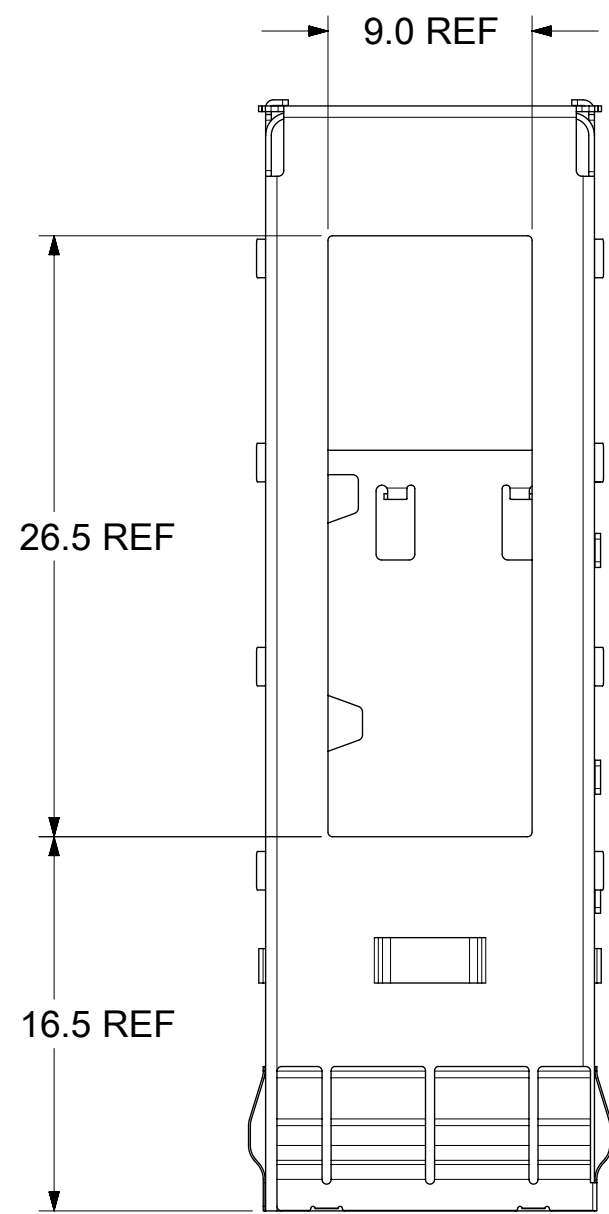
DOCUMENT NUMBER	DOC TYPE	DOC PART	REVISION
1111128101	PSD	ASY	A

REVISION	DATE	DESCRIPTION
A	2022/05/25	INITIAL RELEASE

FUNCTIONAL SYMBOLS FA = 0 FC = 0 FP = 0 DIVISIONAL SYMBOLS	THIS DRAWING CONTAINS INFORMATION THAT IS PROPRIETARY TO MOLEX ELECTRONIC TECHNOLOGIES, LLC AND SHOULD NOT BE USED WITHOUT WRITTEN PERMISSION		CURRENT REV DESC: SEE REVISION TABLE		
	DIMENSION UNITS	SCALE	GENERAL TOLERANCES (UNLESS SPECIFIED)		
	mm	1:1	ANGULAR TOL ± 1.0°		
	4 PLACES ±		3 PLACES ±		
3 PLACES ±		2 PLACES ± 0.13		EC NO: 707262	PRODUCT CUSTOMER DRAWING SFP+ 1X1 CAGE ASSY PRESS FIT TYPE, W/ SUS EMI SPRING FINGERS & HEAT SINK
2 PLACES ± 0.25		1 PLACE ± 0.25		DRWN: ABHILT2 2022/04/07	
0 PLACES ±		DRAFT WHERE APPLICABLE MUST REMAIN WITHIN DIMENSIONS		CHK'D: TKUMARKC 2022/05/25	DOCUMENT NUMBER 1111128101
THIRD ANGLE PROJECTION		DRAWING	SERIES	APPR: SCHIEN 2022/05/27	
		D-SIZE	111112	INITIAL REVISION: DRWN: ABHILT2 2022/04/07 APPR: SCHIEN 2022/05/27	DOC PART ASY
		SEE SHEET 2	CUSTOMER	REVISION A	SHEET NUMBER 5 OF 5

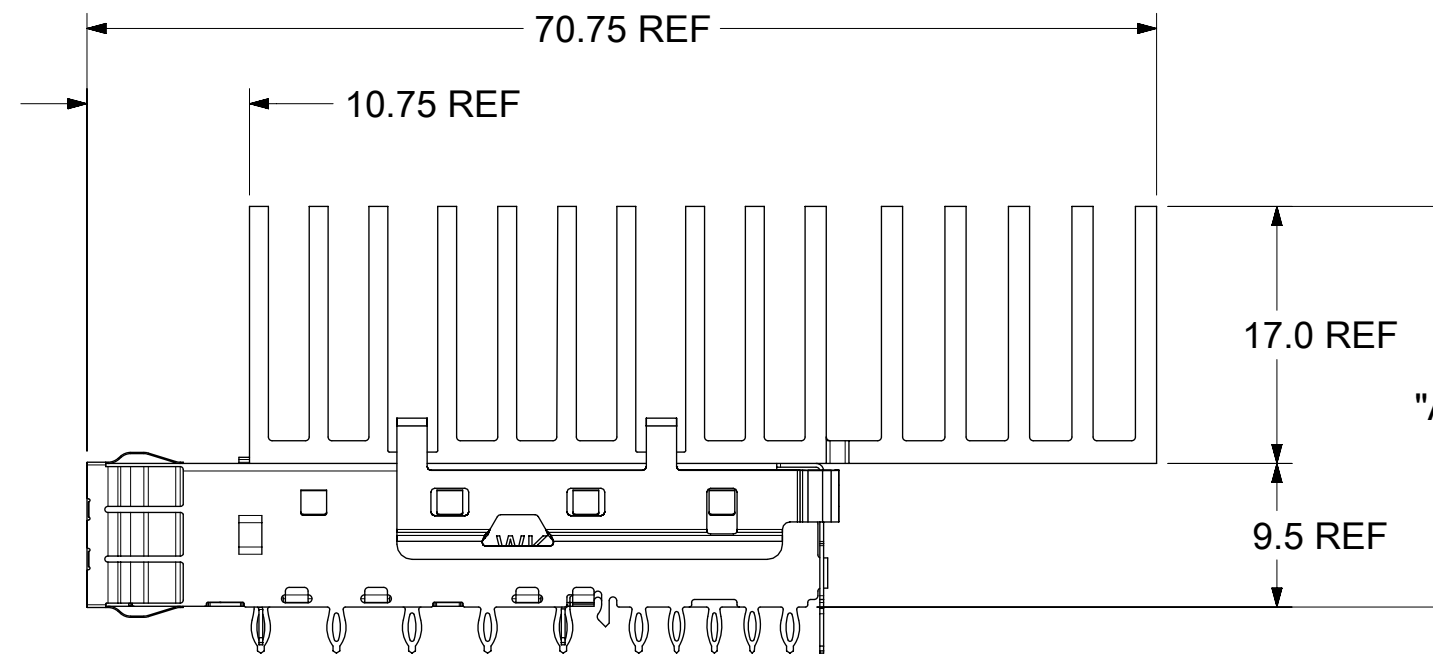
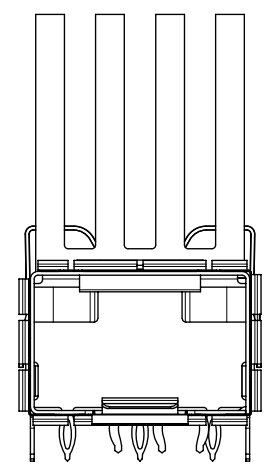
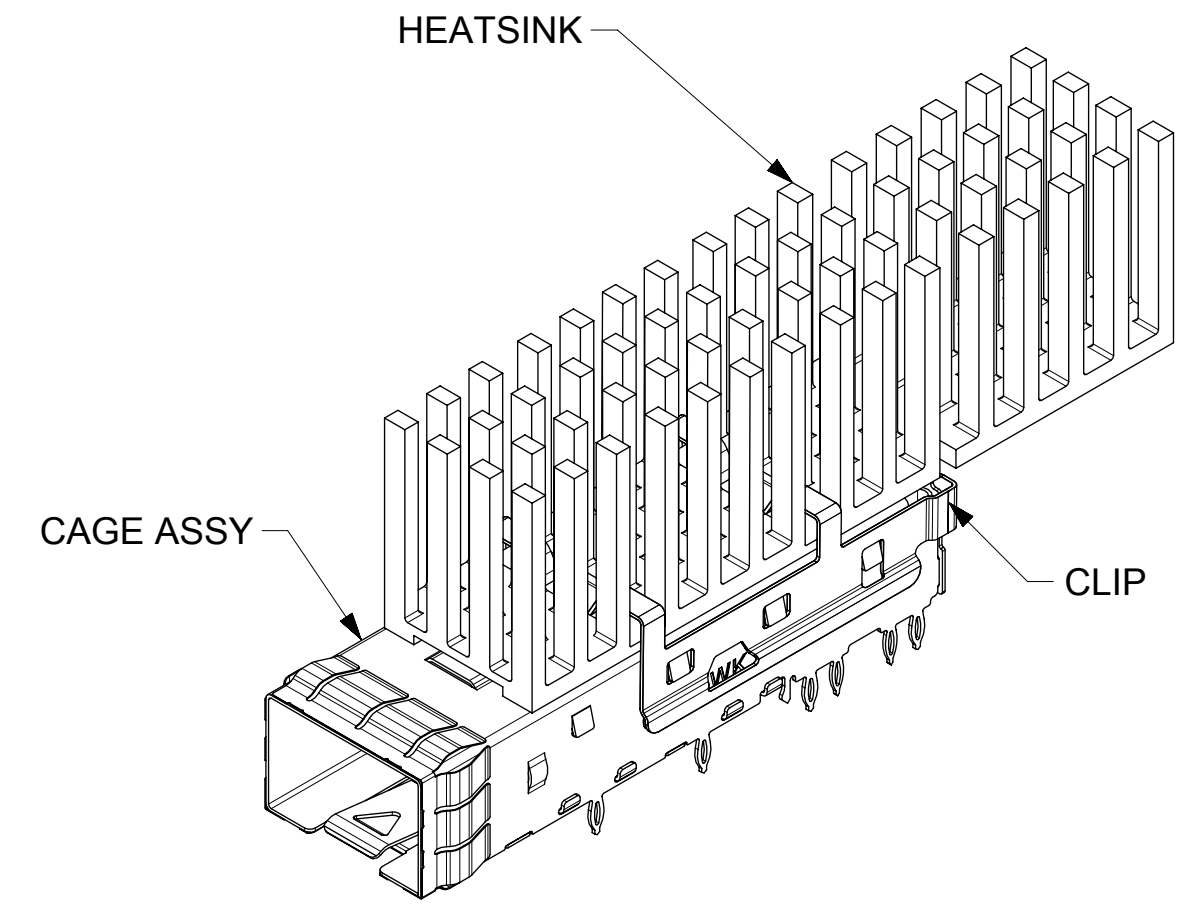
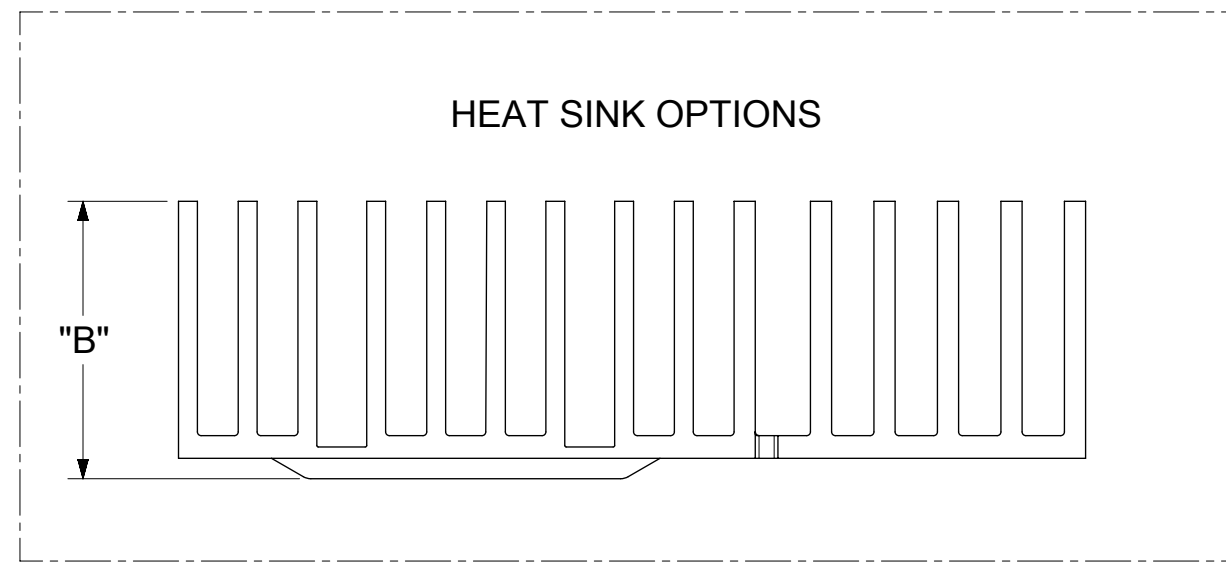
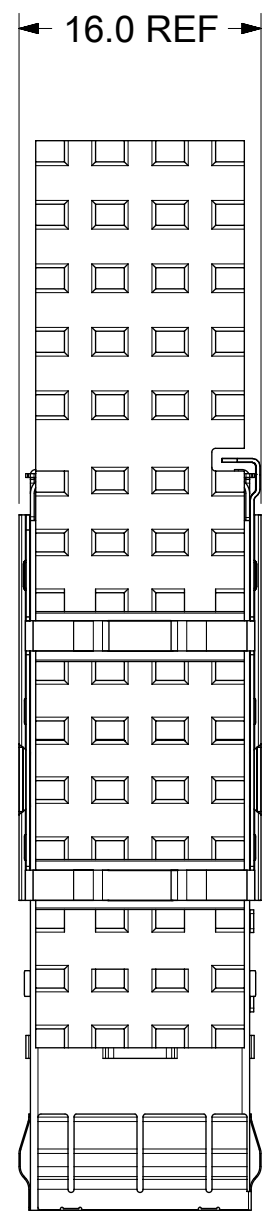
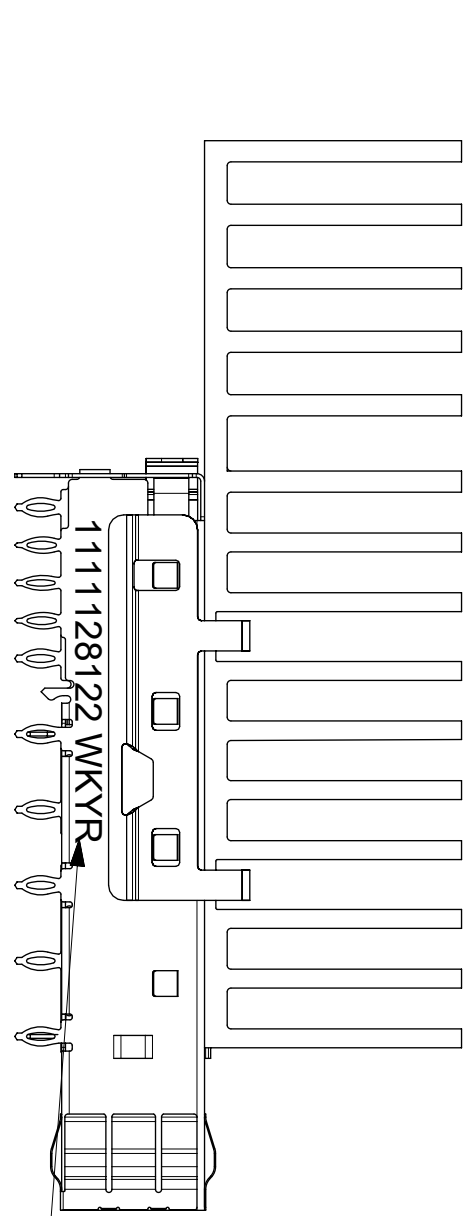
CAGE ASSEMBLY

HEATSINK/CLIP NOT SHOWN FOR CLARITY



- NOTES:**
- MATERIAL:**
 CAGE: 0.25mm THICK COPPER ALLOY, NICKEL PLATED.
 FRONT SPRING FINGERS: STAINLESS STEEL.
 HEATSINK: ALUMINUM, NICKEL PLATED.
 HEATSINK SPRING CLIP: STAINLESS STEEL.
 - PRESS FIT LEGS 3.05mm LONG:**
 1.57mm MINIMUM PCB THICKNESS FOR SINGLE SIDED USE.
 - PORTS ARE DESIGNED FOR SFP+ TRANSCEIVERS AND ARE COMPATIBLE WITH SFP TRANSCEIVERS.**
 THE TOP SURFACE OF THE MODULE MUST BE FLAT (NO PRODUCT LABEL RECESS) AND THERMALLY CONDUCTIVE TO FUNCTION OPTIMALLY.
 - WELD SPOTS WILL SHOW SLIGHT MATERIAL DISCOLORATION.**
 - NO RoHS EXEMPTIONS.**
 - CUSTOM HEATSINKS AVAILABLE UPON REQUEST.**
 - CAGE ASSEMBLY, HEATSINK, AND HEATSINK SPRING CLIP SHIPPED ASSEMBLED.**
 - THE MOLEX CAGE REQUIRES USING THE MOLEX HEATSINK SPRING CLIP.**

THIS DRAWING CONTAINS INFORMATION THAT IS PROPRIETARY TO MOLEX ELECTRONIC TECHNOLOGIES, LLC AND SHOULD NOT BE USED WITHOUT WRITTEN PERMISSION									
FUNCTIONAL SYMBOLS	DIMENSION UNITS	SCALE	CURRENT REV DESC: SEE REVISION TABLE						
$\nabla_A = 0$	mm	3:1	molex SFP+ 1X1 CAGE ASSY PRESS FIT TYPE, W/ SUS SPRING FINGR, CUTOUT 3.4 & HEATSINKS PRODUCT CUSTOMER DRAWING						
$\nabla_E = 0$	GENERAL TOLERANCES (UNLESS SPECIFIED)								
$\nabla_P = 0$	ANGULAR TOL ± 1.0°								
DIVISIONAL SYMBOLS	4 PLACES ±	3 PLACES ±	EC NO: 707262	2022/04/11	DOCUMENT NUMBER: 111128122 DOC TYPE: PSD DOC PART: ASY REVISION: A				
	2 PLACES ± 0.13	1 PLACE ± 0.25	DRWN: SKRISHNAMURT	2022/04/11					
	0 PLACES ±		CHK'D: TKUMARKC	2022/05/25	MATERIAL NUMBER: 111128122 CUSTOMER:				
	DRAFT WHERE APPLICABLE MUST REMAIN WITHIN DIMENSIONS		APPR: SCHIEN	2022/05/27					
	THIRD ANGLE PROJECTION		DRAWING	SERIES	SHEET NUMBER				
	C-SIZE		111112	1 OF 5					



"A" MAX TYP. (AFTER MATING WITH TRANSCEIVERS)

F/G PART NUMBER	DIM "A"	DIM "B"
111128122	28.1	18.35

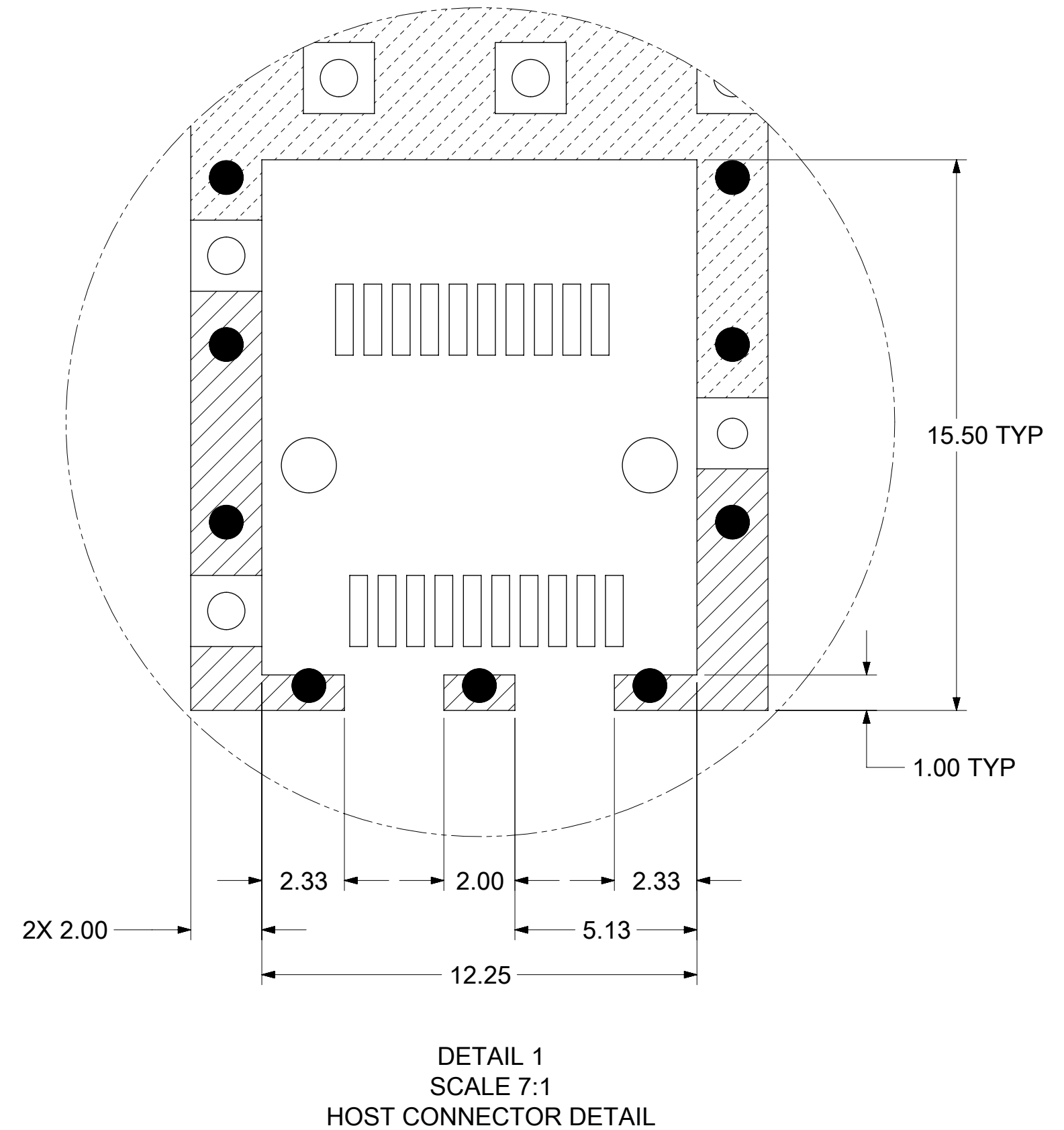
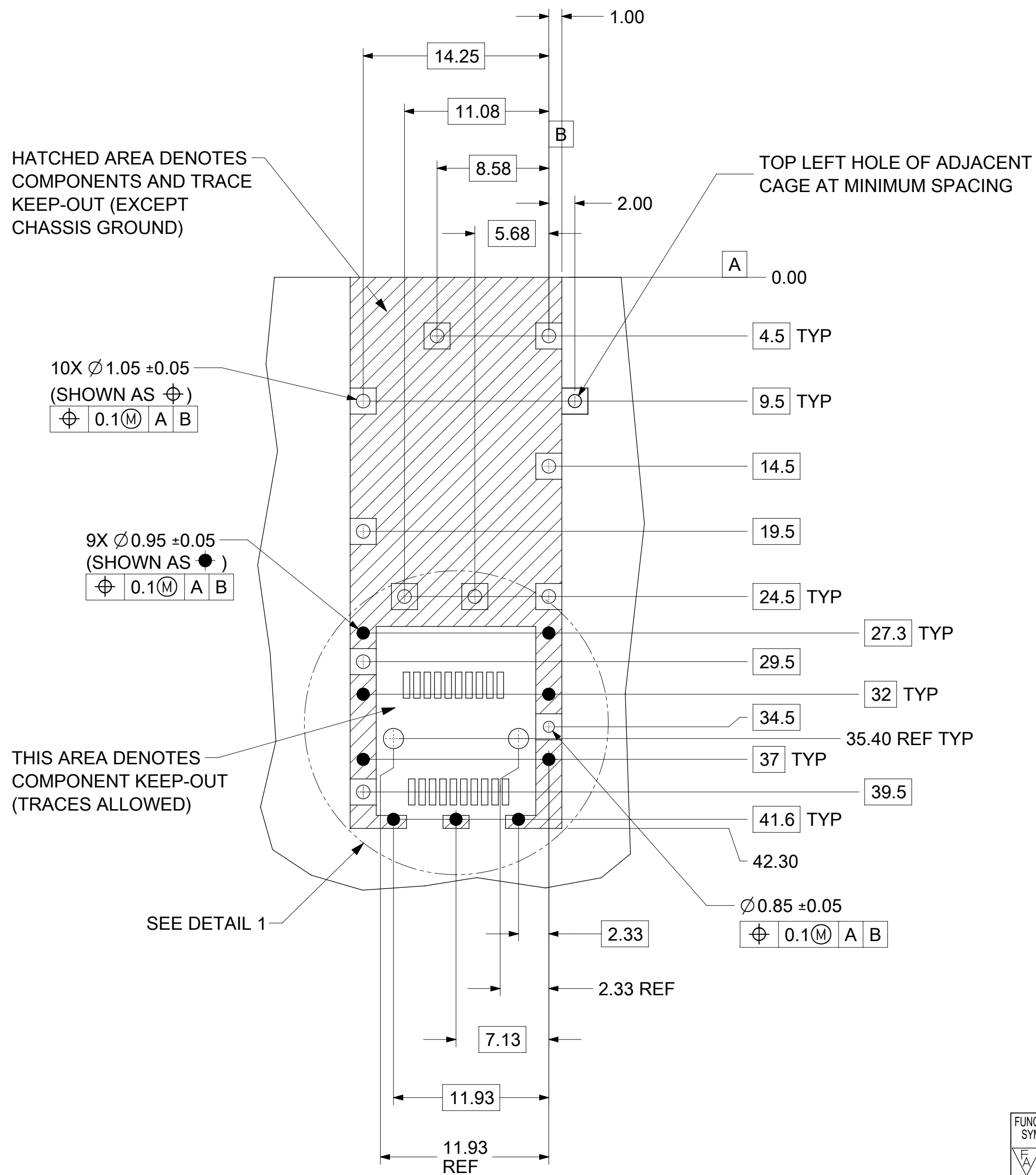
PART NO. AND WEEK/YEAR DATE CODE TO BE PRINTED ON THE SIDE OF COMPLETED CAGE ASSEMBLY APPROXIMATELY AS SHOWN

WEEK/YEAR DATE CODE TABLE	
WK	WEEK 01 THRU 52 OR 53 EXAMPLE: 01 = FIRST WEEK OF YEAR 52 = LAST WEEK OF YEAR
YR	22, 23, 24 ETC. EXAMPLE: YEAR 2022 = 22

FUNCTIONAL SYMBOLS $\nabla_A = 0$ $\nabla_C = 0$ $\nabla_P = 0$	THIS DRAWING CONTAINS INFORMATION THAT IS PROPRIETARY TO MOLEX ELECTRONIC TECHNOLOGIES, LLC AND SHOULD NOT BE USED WITHOUT WRITTEN PERMISSION DIMENSION UNITS: mm SCALE: 2:1	CURRENT REV DESC: SEE REVISION TABLE EC NO: 707262 DRWN: SKRISHNAMURT CHK'D: TKUMARKC APPR: SCHIEN					
	GENERAL TOLERANCES (UNLESS SPECIFIED) ANGULAR TOL $\pm 1.0^\circ$	2022/04/11 2022/05/25 2022/05/27				SFP+ 1X1 CAGE ASSY PRESS FIT TYPE, W/ SUS SPRING FINGR, CUTOUT 3.4 & HEATSINKS PRODUCT CUSTOMER DRAWING	
	DIVISIONAL SYMBOLS 4 PLACES \pm 3 PLACES \pm 2 PLACES ± 0.13 1 PLACE ± 0.25 0 PLACES \pm	INITIAL REVISION: DRWN: SKRISHNAMURT APPR: SCHIEN	2022/04/11 2022/05/27	DOCUMENT NUMBER 111128122	DOC TYPE PSD	DOC PART ASY	REVISION A
	DRAFT WHERE APPLICABLE MUST REMAIN WITHIN DIMENSIONS	THIRD ANGLE PROJECTION 	DRAWING C-SIZE	SERIES 111112	MATERIAL NUMBER 111128122	CUSTOMER	SHEET NUMBER 2 OF 5

DOCUMENT STATUS	P1	RELEASE DATE	2022/05/27	10:20:27
-----------------	----	--------------	------------	----------

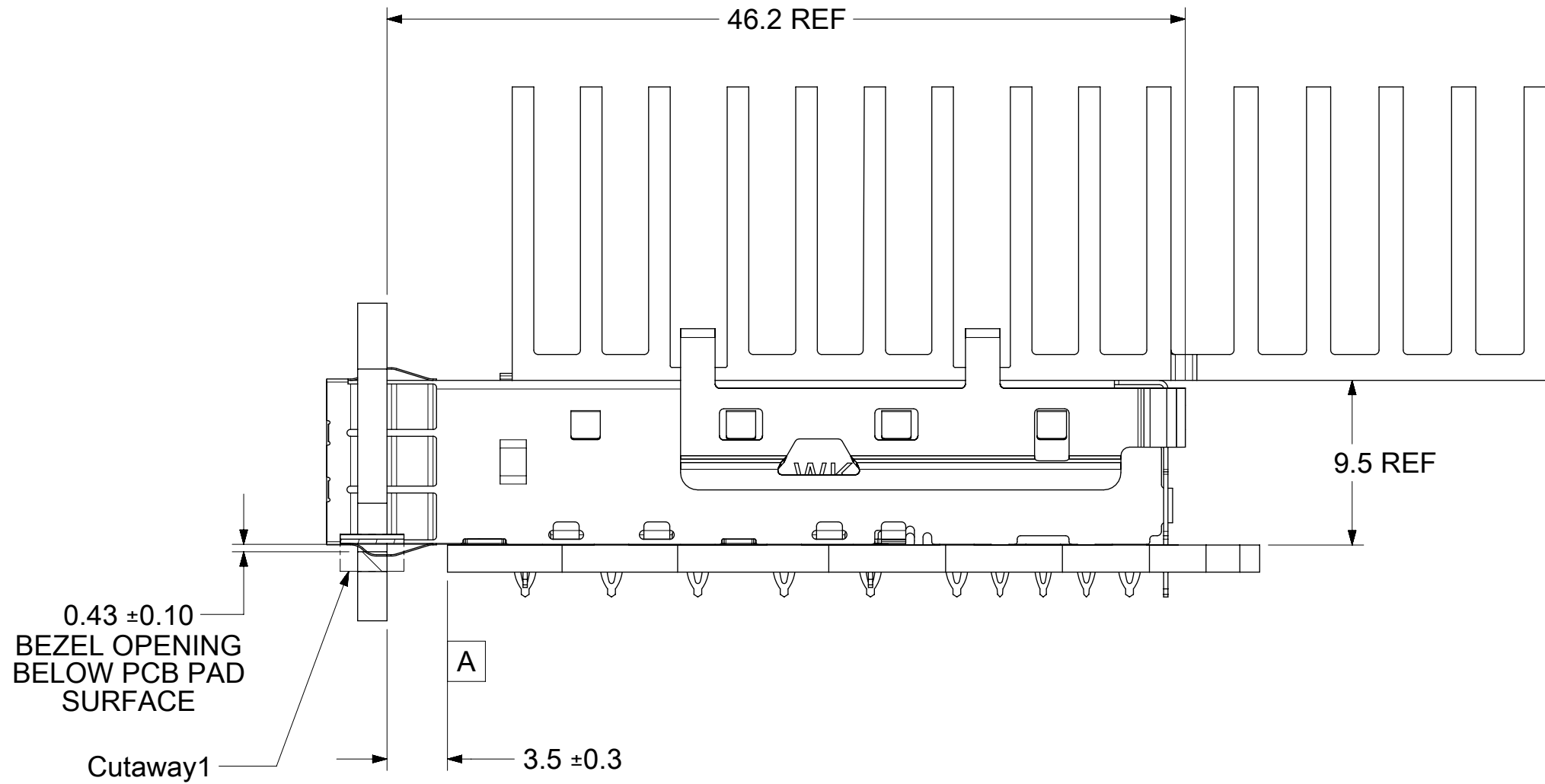
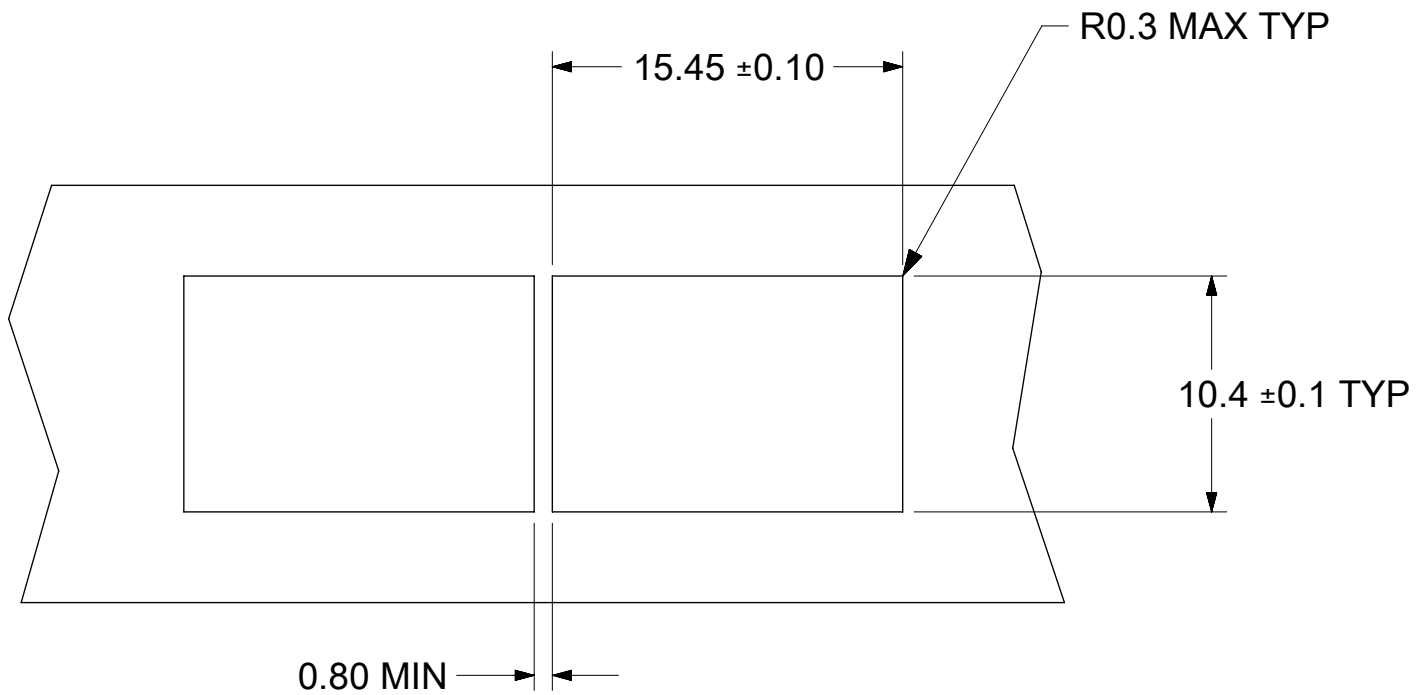
PCB LAYOUT FOR SINGLE SIDE MOUNT



- NOTES:
1. PADS AND VIAS CONNECT TO CHASSIS GROUND (RECOMMEND PADS TO BE 2.00mm SQUARE)
 2. RECOMMENDED THRU HOLE PLATING INCLUDES HASL, OSP, OR IMMERSION (GOLD, SILVER, OR TIN).
 3. CONNECTOR PAD LAYOUT PER SFP+ MSA WILL ACCOMMODATE MOLEX CONNECTOR SERIES 74441 OR EQUIVALENT.

FUNCTIONAL SYMBOLS	THIS DRAWING CONTAINS INFORMATION THAT IS PROPRIETARY TO MOLEX ELECTRONIC TECHNOLOGIES, LLC AND SHOULD NOT BE USED WITHOUT WRITTEN PERMISSION		CURRENT REV DESC: SEE REVISION TABLE	
	DIMENSION UNITS	SCALE		
$\frac{F}{A} = 0$	mm	3:1		
$\frac{F}{C} = 0$	GENERAL TOLERANCES (UNLESS SPECIFIED)			
	ANGULAR TOL $\pm 1.0^\circ$			
DIVISIONAL SYMBOLS	4 PLACES	\pm	EC NO: 707262	2022/04/11
	3 PLACES	\pm	DRWN: SKRISHNAMURT	2022/05/25
	2 PLACES	± 0.13	CHK'D: TKUMARKC	2022/05/27
	1 PLACE	± 0.25	APPR: SCHIEN	
0 PLACES	\pm	INITIAL REVISION:		
DRAFT WHERE APPLICABLE MUST REMAIN WITHIN DIMENSIONS		THIRD ANGLE PROJECTION	DRAWING	SERIES
			C-SIZE	111112
DOCUMENT STATUS		DOC TYPE	DOC PART	REVISION
P1	RELEASE DATE	111128122	PSD	ASY
2022/05/27	10:20:27	111128122	ASY	A
MATERIAL NUMBER		CUSTOMER	SHEET NUMBER	
111128122			3 OF 5	

BEZEL AND BOARD POSITION DIMENSIONS FOR SINGLE SIDE MOUNTING (SPRING FINGER)



FUNCTIONAL SYMBOLS	THIS DRAWING CONTAINS INFORMATION THAT IS PROPRIETARY TO MOLEX ELECTRONIC TECHNOLOGIES, LLC AND SHOULD NOT BE USED WITHOUT WRITTEN PERMISSION										
	DIMENSION UNITS	SCALE	CURRENT REV DESC: SEE REVISION TABLE							molex	
$\frac{F}{A} = 0$	mm	3:1	EC NO: 707262 DRWN: SKRISHNAMURT 2022/04/11 CHK'D: TKUMARKC 2022/05/25 APPR: SCHIEN 2022/05/27								
$\frac{F}{C} = 0$	GENERAL TOLERANCES (UNLESS SPECIFIED)									ANGULAR TOL ± 1.0°	
$\frac{F}{P} = 0$	4 PLACES ±		3 PLACES ±		2 PLACES ± 0.13		1 PLACE ± 0.25		0 PLACES ±		
DIVISIONAL SYMBOLS	DRAFT WHERE APPLICABLE MUST REMAIN WITHIN DIMENSIONS		THIRD ANGLE PROJECTION		DRAWING		SERIES		MATERIAL NUMBER	CUSTOMER	SHEET NUMBER
					C-SIZE		111112		111128122		4 OF 5

DOCUMENT STATUS	P1	RELEASE DATE	2022/05/27	10:20:27
-----------------	----	--------------	------------	----------

H
G
F
E
D
C
B
A

REV	DATE	DESCRIPTION
A	2022/05/25	INITIAL RELEASE

FUNCTIONAL SYMBOLS $\nabla_A = 0$ $\nabla_C = 0$ $\nabla_P = 0$	THIS DRAWING CONTAINS INFORMATION THAT IS PROPRIETARY TO MOLEX ELECTRONIC TECHNOLOGIES, LLC AND SHOULD NOT BE USED WITHOUT WRITTEN PERMISSION			
	DIMENSION UNITS	SCALE	CURRENT REV DESC: SEE REVISION TABLE	
	mm	1:1		
DIVISIONAL SYMBOLS 4 PLACES ± 3 PLACES ± 2 PLACES ± 0.13 1 PLACE ± 0.25 0 PLACES ±	GENERAL TOLERANCES (UNLESS SPECIFIED)		EC NO: 707262	
	ANGULAR TOL ± 1.0°		DRWN: SKRISHNAMURT 2022/04/11	
			CHK'D: TKUMARKC 2022/05/25	
			APPR: SCHIEN 2022/05/27	
			INITIAL REVISION:	
DRAFT WHERE APPLICABLE MUST REMAIN WITHIN DIMENSIONS		THIRD ANGLE PROJECTION	DRAWING	SERIES
			C-SIZE	111112
DOCUMENT NUMBER		MATERIAL NUMBER		CUSTOMER
111128122		111128122		
DOC TYPE		DOC PART	REVISION	
PSD		ASY	A	
SHEET NUMBER		5 OF 5		



SFP+ 1X1 CAGE ASSY PRESS FIT TYPE, W/ SUS SPRING FINGR, CUTOUT 3.4 & HEATSINKS

PRODUCT CUSTOMER DRAWING