

Waterproof USB Connectors

M22-Panel mount Connector

Front mounting
with USB 2.0 Type A

Protection: IP 64 / IP67
(Assembled with CAP)

Contacts: 4 + 1 (Shield)

Housing material: Plastic, Black (PA)

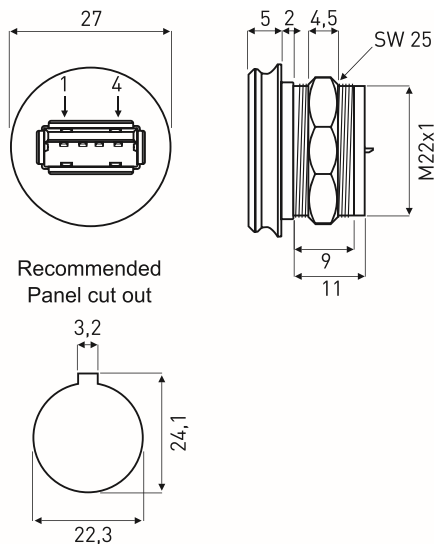
Cap: Elastolan®

Plastic nut: Plastic, Black (PA)

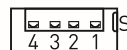
Contact Plating: Gold

Connection: Solder

Kit: Including CAP + nut



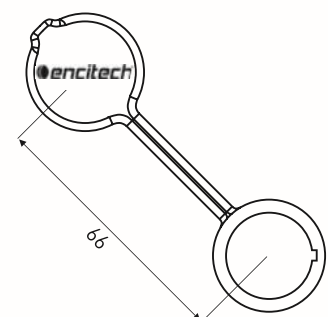
PCB Layout



Pin out USB A

- 1 - +5 V
- 2 - D-
- 3 - D+
- 4 - GND
- S - Shield

CAP



1.9mm thick strap
(Serves also as flat sealing)

M22 Panel mount USB 2.0 - Type A

Connector:	Part No:
Panel Conn, Black	1310-1016-01



Encitech AB
Rörkullsvägen 4
SE-302 41 HALMSTAD, Sweden

Tel: +46-(0)35-15 13 90
e-mail: connectors@encitech.com

www.encitech.com