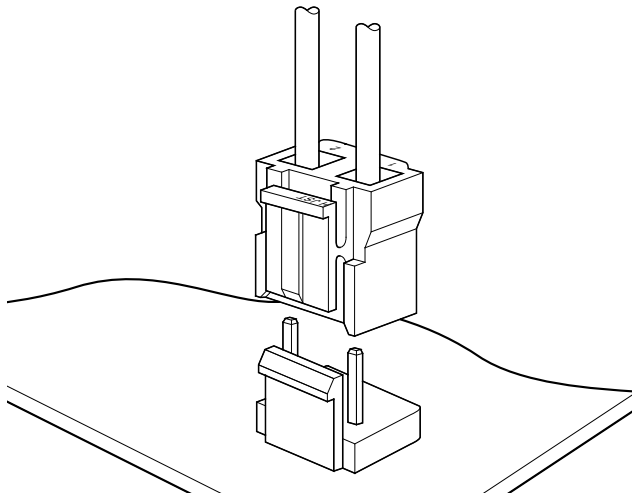


VA CONNECTOR

7.92 mm pitch/Disconnectable Crimp style connectors



This 7.92 mm pitch large current carrying capacity connector is used with primary power supply circuits and various other circuits requiring large currents. It features an anti-misinsertion construction and a reliable locking mechanism to ensure maximum safety.

- Box contact
- Secure contact and mounting
- Compact connector with a large capacity

Specifications

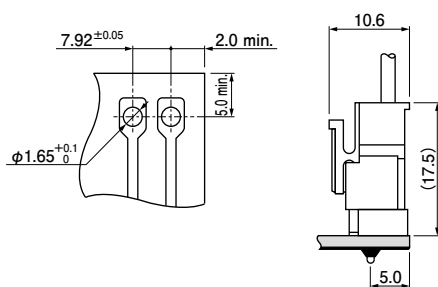
- Current rating: 7 A AC/DC (AWG #18)
 - Voltage rating: 250 V AC/DC
 - Temperature range: -25°C to +85°C
(including temperature rise in applying electrical current)
 - Contact resistance: Initial value/ 10mΩ max.
After environmental tests/ 20mΩ max.
 - Insulation resistance: 1,000 MΩ min.
 - Withstanding voltage: 1,200 VAC/minute
 - Applicable wire: AWG #20 to #18
 - Applicable PC board thickness: 1.6 mm
- * In using the products, refer to "Handling Precautions for Terminals and Connectors" described on our website (Technical documents of Product information page).
- * RoHS2 compliance
- * Dimensional unit: mm
- * Contact JST for details.

Standards

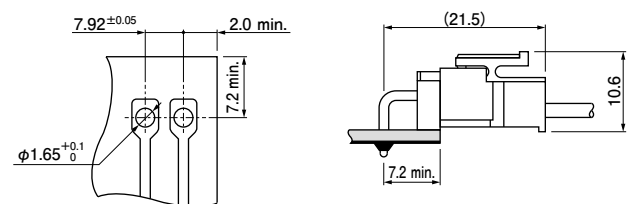
- Recognized E60389
- Certified LR20812
- R75122

PC board layout and Assembly layout

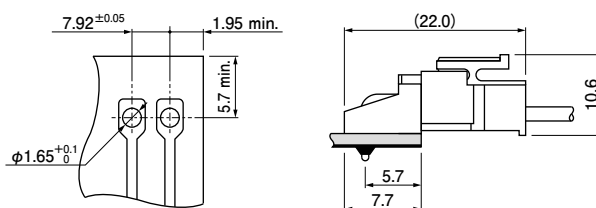
Top entry type



Side entry type



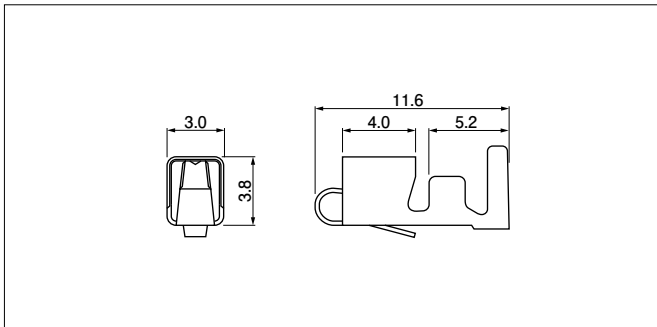
Side entry type with PCB stabilizer



- Note: 1. The above figure is the figure viewed from soldering side.
2. Hole dimensions differ according to the type of PC board and piercing method. The dimensions above should serve as a guideline.
Contact JST for details.

VA CONNECTOR

Contact



Model No.	Applicable wire		Insulation O.D. (mm)	Q'ty/reel
	mm ²	AWG #		
SVA-41T-P1.1	0.5 to 0.83	20 to 18	1.9 to 3.7	3,500

Material and Finish

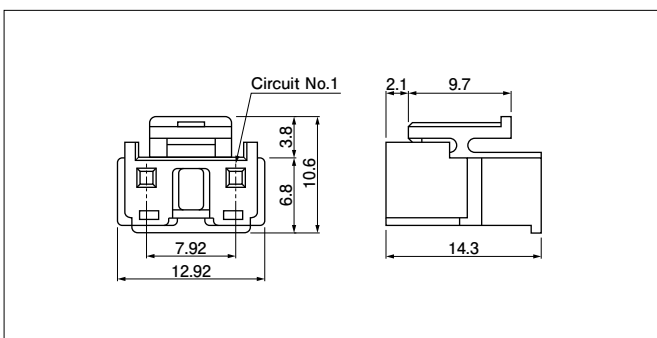
Phosphor bronze, tin-plated (reflow treatment)

RoHS2 compliance

Contact	Crimping machine	Applicator		
		Crimp applicator	Dies	Crimp applicator with dies
SVA-41T-P1.1	AP-K2N	MKS-L	MK/SVA-41-11	APLMK SVA41-11

Note: Contact JST for fully automatic crimping applicator.

Housing



No. of circuits	Model No.	Q'ty/bag
2	VAR-2	1,000

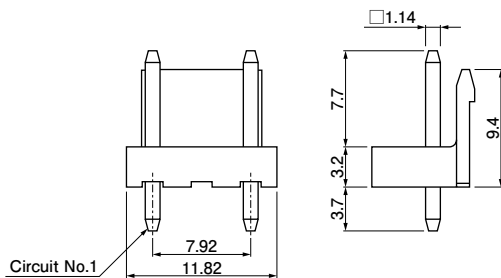
Material and Finish

PA 6, UL94V-0, natural (white)

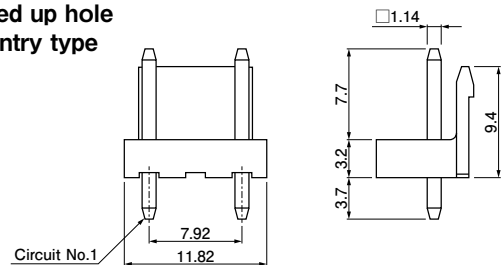
RoHS2 compliance

Header

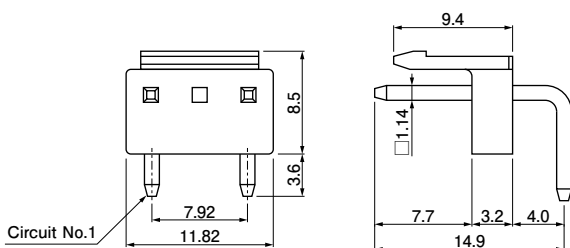
Top entry type



Plugged up hole Top entry type



Side entry type



	No. of circuits	Model No.	Q'ty/box
Top entry type	2	B2P3-VH	1,000
Side entry type	2	B2P3S-VH	500
Side entry type with PCB stabilizer	2	S2P3-VH	500

Plugged up hole

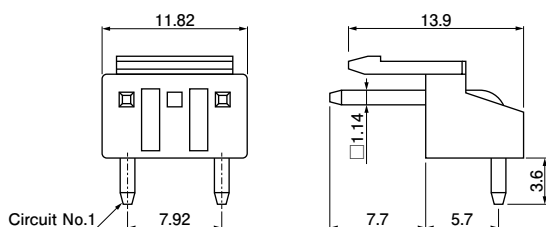
	No. of circuits	Model No.	Q'ty/box
Top entry type	2	*B2P-VA	1,000

Material and Finish

Post: Brass, copper-undercoated, tin-plated (reflow treatment)
Wafer: PA 66, UL94V-0, natural (white)

RoHS2 compliance This product displays (LF)(SN) on a label.
*Marked products unlisted in CSA/TÜV.

Side entry type with PCB stabilizer



Model number allocation

Contact

S VA - 41 T - P 1.1

Form: S...Strip form, B...Loose piece

Series name

Applicable wire range: AWG #20 to #18

Surface finish: T...Tin-plated (reflow treatment)

Material: P...Phosphor bronze

Terminal size

Housing

VA R - 2 -

Series name

Part name: Receptacle

No. of circuits: 2

Color: None...Natural (White), K...Black, R...Red, E...Blue,
Y...Yellow, M...Green, N...Brown

Header

B 2 P 3 - VH -

Indication of assembly

No. of circuits: 2

Part name: Plug

Indicates omitting center pin of 3-circuit product.

Shape of assembled product: None...Top entry type
S...Side entry type

Series name

Color: None...Natural (White), BK...Black, R...Red, BL...Blue, Y...Yellow,
M...Green, N...Brown, O...Orange, PK...Pink, P...Purple, H...Gray

Header Side entry type with PCB stabilizer

S 2 P 3 - VH -

Shape of assembled product:
S...Side entry type with PCB stabilizer

No. of circuits: 2

Part name: Plug

Indicates omitting center pin of 3-circuit product.

Series name

Color: None...Natural (White), BK...Black, R...Red, Y...Yellow, M...Green

Header Plugged up hole

B 2 P - VA

Indication of assembly

No. of circuits: 2

Part name: Plug

Shape of assembled product: None...Top entry type

Series name

Note: Depending on the colors, it may take some time for delivery.