

MATERIALS AND FINISHES

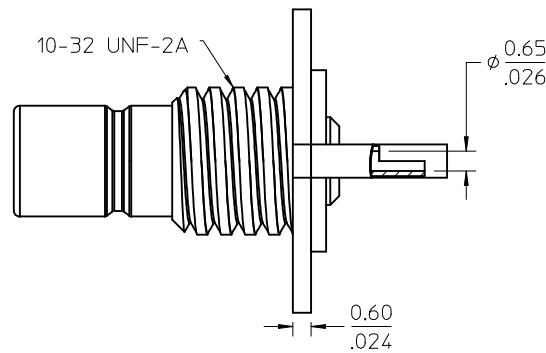
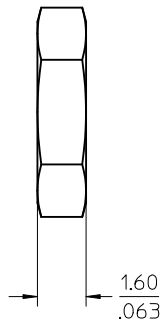
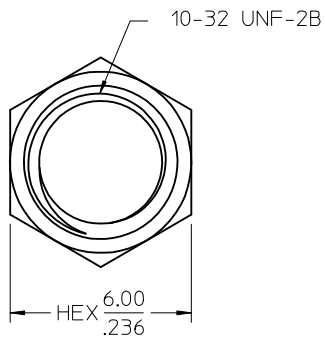
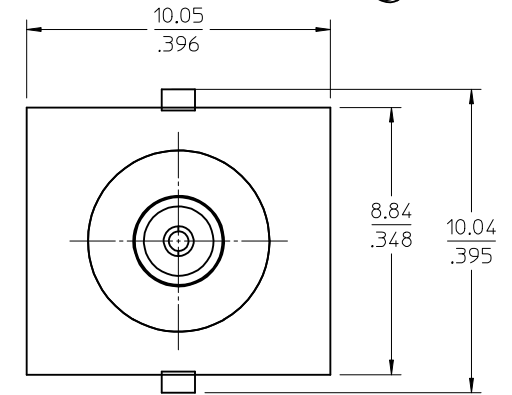
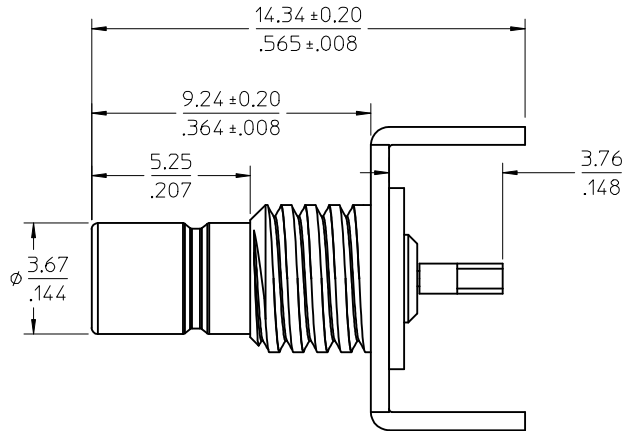
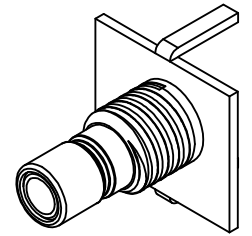
BODY BRASS
PLATED GOLD

PLUG CONTACT BRASS
PLATED GOLD

INSULATOR TEFLON

FLANGE PHOSPHOR BRONZE
PLATED TIN

NUT BRASS
PLATE GOLD



CHG:DWG UPDATE
PER RF14-E005
EC NO: URF2013-0670
DRAWN:LIN 2013/06/19
CHKD:
APPR:MHUANG 2013/07/10

REV	DESCRIPTION
C1	

QUALITY SYMBOLS	
	= 0
	= 0
	= 0

GENERAL TOLERANCES (UNLESS SPECIFIED)	
4 PLACES	± .005
3 PLACES	± .004
2 PLACES	± .003
1 PLACE	± .002
0 PLACE	± .001

DIMENSION STYLE		SCALE	DESIGN UNITS	THIRD ANGLE PROJECTION
MM/IN			METRIC	
DRAWN BY	DATE	TITLE		
EL IN	2013/06/19	SPECIAL 75 OHMS SMB STR. JACK BULKHEAD 2 LEG PCB SMB-J/PCB		
CHECKED BY	DATE	molex		
XXXXXX	1994/11/15			
APPROVED BY	DATE	DOCUMENT NO.	SHEET NO.	
MHUANG	2013/07/10	731000158	SD-73100-0158	1 OF 1
DRAFT WHERE APPLICABLE MUST REMAIN WITHIN DIMENSIONS				

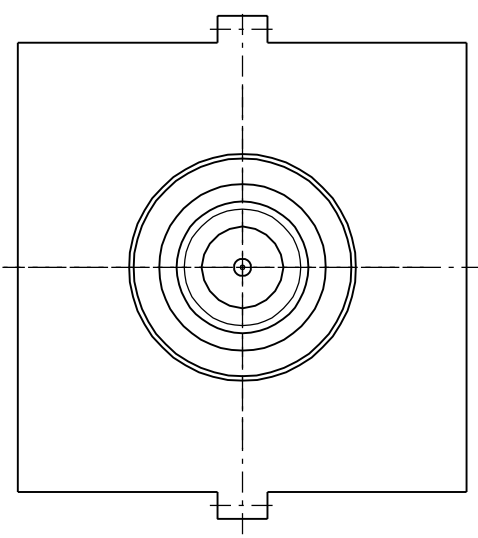
ENG. NO.

EDP NO.

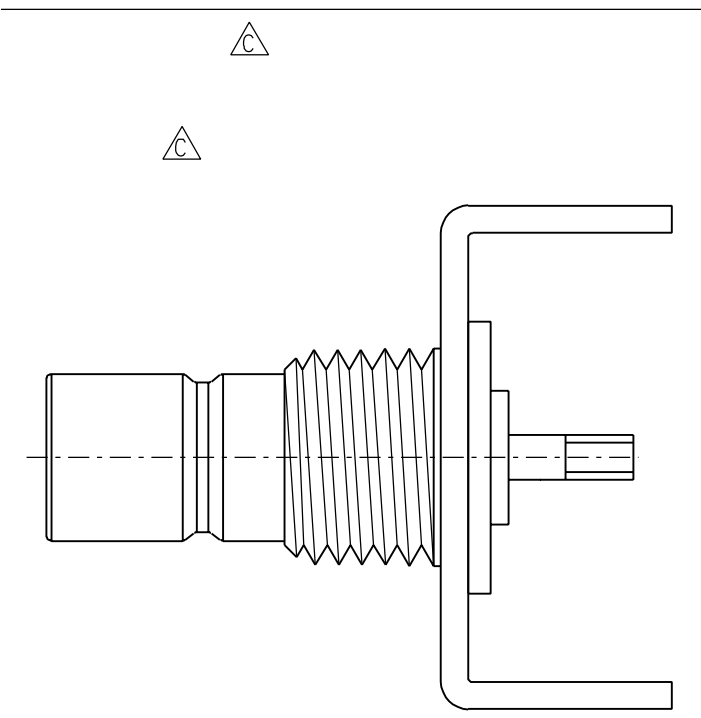
SIMILAR ITEM

CADFILE NO.

DO NOT SCALE DRAWING



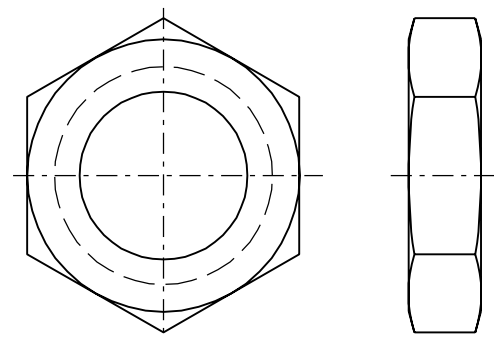
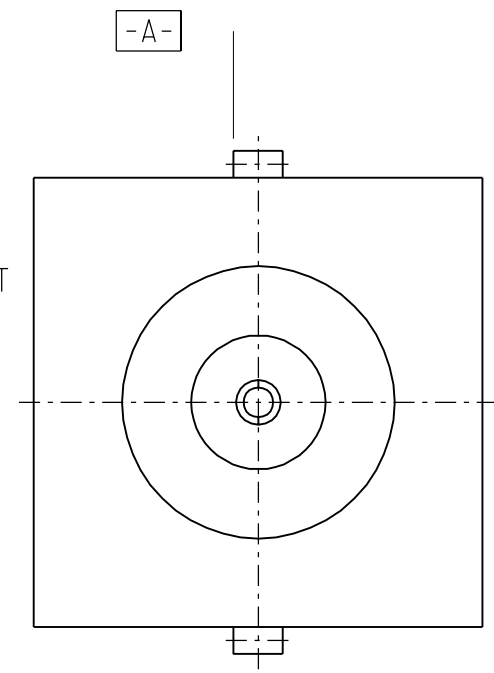
TYP.



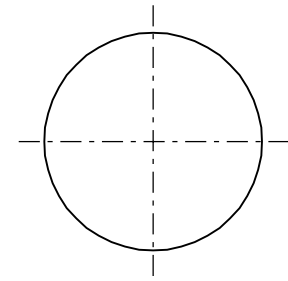
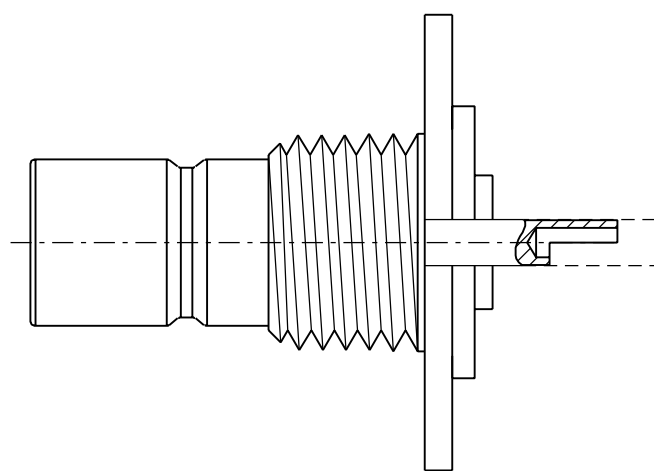
SPECIAL 75 OHM SMB JACK ASSEMBLY

SLOT ALIGNMENT

∥ A 0.15



NUT



RECOMMENDED PANEL MOUNTING HOLE
 PANEL THICKNESS: 1.775±0.025
 MOUNTING TORQUE: 7-10 INCH/POUNDS

CONSTRUCTION :

- BODY ----- BRASS
- DIELECTRIC ----- TEFLON
- CONTACT ----- BRASS
- FLANGE ----- PHOSPHOR BRONZE
- NUT ----- BRASS

FINISH:

- BODY ----- GOLD PLATING
- CONTACT ----- GOLD PLATING
- FLANGE ----- TIN PLATING (200-400)Å
- NUT ----- GOLD PLATING

MECHANICAL AND ELECTRICAL CHARACTERISTICS:

△ PER PRODUCT SPECIFICATION: PS-73598-0093
 (INSERTION LOSS IS NOT APPLICABLE)

MATERIAL AND FINISHES:

△ PER PRODUCT SPECIFICATION: PS-73598-0093

PACKAGING :

△ TRAY

					MATERIAL :		MOLEX TAIWAN LTD. (R.F. DIVISION)
					FINISH :		
					SCALE : 6:1	UNIT : mm(INCH)	
C	Chg To 2 Length Dims	0562	<i>R. Field</i>	95/7/31	DRAWN BY : <i>R. Field</i> 94/11/15		GENERAL TOLERANCES ANGLE : ± 3° DIM. ± 0.25 (±.01)
B	Chg To: TRAY PKG	0538	<i>R. Field</i>	95/3/13	CHK'D BY :		DRW. NO.: SDA-73100-0158
A	RELEASE	0503	<i>R. Field</i>	95/2/10	APPR'D BY :		REV C
LTR	REVISION RECORD	ECN	DR	DATE			TITLE : SPECIAL 75 OHM SMB STRAIGHT JACK BULKHEAD (2-LEG) PCB RECEPTACLE
STANDARD ITEM					<input type="checkbox"/> YES	<input checked="" type="checkbox"/> NO	SHEET OF