

1742975-1 ✓ ACTIVE

Positive Lock | Mark III, Positive Lock 110

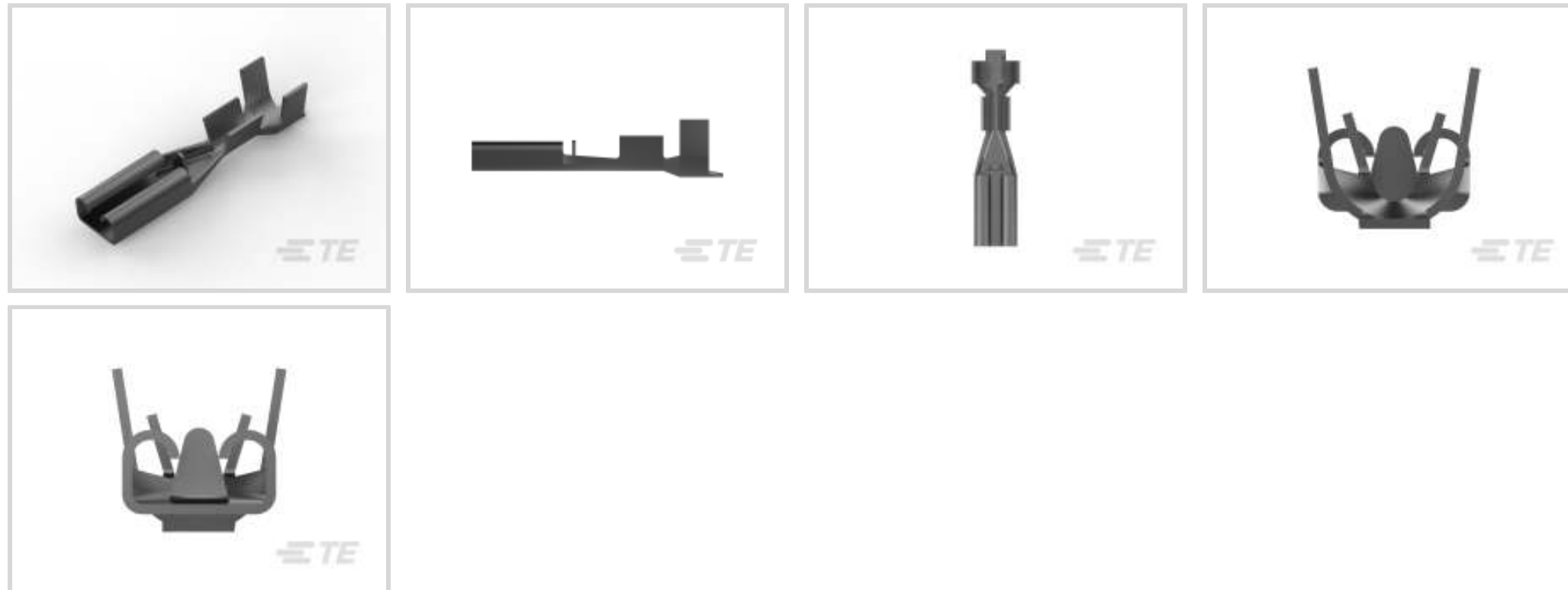
TE Internal #: 1742975-1

Quick Disconnects, Receptacle, 22 – 18 AWG Wire Size, .32 – .82 mm² Wire Size, Mating Tab Width 2.8 mm [.11 in], Straight, Brass, Positive Lock 110

[View on TE.com >](#)



Terminals & Splices > Quick Disconnects



Quick Disconnect Terminal Type: **Receptacle**

Wire Size: .32 – .82 mm²

Mating Tab Width: 2.8 mm [.11 in]

Mating Tab Thickness: .81 mm [.032 in]

Features

Configuration Features

Connection Capacity	Single
Compatible With Wire & Cable Type	Discrete Wire

Contact Features

Quick Disconnect Terminal Type	Receptacle
Mating Tab Width	2.8 mm[.11 in]
Mating Tab Thickness	.81 mm[.032 in]
Terminal Orientation	Straight
Contact Base Material	Brass
Terminal Plating Material	Tin
Crimp Type	F-Crimp
Barrel Type	Open

Termination Features

Product Terminates To	Wire & Cable
-----------------------	--------------

Mechanical Attachment



Extraction Force	7 – 100 Newton
Locking Lance Height	.23 mm[.009 in]
Wire Insulation Support	With
Mating Retention Type	Dimple

Dimensions

Terminal Material Thickness	.25 mm[.01 in]
Product Length	16.5 mm[.65 in]
Compatible Insulation Diameter Range	2.03 – 3.05 mm[.08 – .12 in]
Wire Size	.32 – .82 mm ²

Usage Conditions

Insulation Option	Uninsulated
Operating Temperature Range	-40 – 110 °C[-40 – 230 °F]

Industry Standards

Agency/Standard	UL
-----------------	----

Packaging Features

Packaging Quantity	10000
Packaging Method	Strip/Reel

Product Compliance

[For compliance documentation, visit the product page on TE.com>](#)

EU RoHS Directive 2011/65/EU	Compliant
EU ELV Directive 2000/53/EC	Compliant
China RoHS 2 Directive MIIT Order No 32, 2016	No Restricted Materials Above Threshold
EU REACH Regulation (EC) No. 1907/2006	Current ECHA Candidate List: JUNE 2023 (235) Candidate List Declared Against: JAN 2023 (233) Does not contain REACH SVHC
Halogen Content	Low Halogen - Br, Cl, F, I < 900 ppm per homogenous material. Also BFR/CFR/PVC Free
Solder Process Capability	Not reviewed for solder process capability

Product Compliance Disclaimer

This information is provided based on reasonable inquiry of our suppliers and represents our current actual knowledge based on the information they provided. This information is subject to change. The part numbers that TE has identified as



EU RoHS compliant have a maximum concentration of 0.1% by weight in homogenous materials for lead, hexavalent chromium, mercury, PBB, PBDE, DBP, BBP, DEHP, DIBP, and 0.01% for cadmium, or qualify for an exemption to these limits as defined in the Annexes of Directive 2011/65/EU (RoHS2). Finished electrical and electronic equipment products will be CE marked as required by Directive 2011/65/EU. Components may not be CE marked. Additionally, the part numbers that TE has identified as EU ELV compliant have a maximum concentration of 0.1% by weight in homogenous materials for lead, hexavalent chromium, and mercury, and 0.01% for cadmium, or qualify for an exemption to these limits as defined in the Annexes of Directive 2000/53/EC (ELV). Regarding the REACH Regulation, the information TE provides on SVHC in articles for this part number is based on the latest European Chemicals Agency (ECHA) 'Guidance on requirements for substances in articles' posted at this URL: <https://echa.europa.eu/guidance-documents/guidance-on-reach>

Compatible Parts



TE Part # 1969534-1
POSITIVE LOCK .110 HOUSING RECEPTACLE



TE Part # 1969725-1
187 FAST&110 PL HSG.,REC.,4 POS, BLACK



TE Part # 1969843-1
187 FAST & 110 PL HSG.,REC.,3P, BLACK



TE Part # 2-2150325-1
OCEAN-2.0-APPLICATOR-E-062F140F



TE Part # 2-2150325-2
OCEAN-2.0-APPLICATOR-E-062F140FA



TE Part # 2150325-1
OCEAN-2.0-APPLICATOR-E-062F140F



TE Part # 2150325-2
OCEAN-2.0-APPLICATOR-E-062F140FA



TE Part # 7-2150325-1
OCEAN-2.0-APPLICATOR-E-062F140F

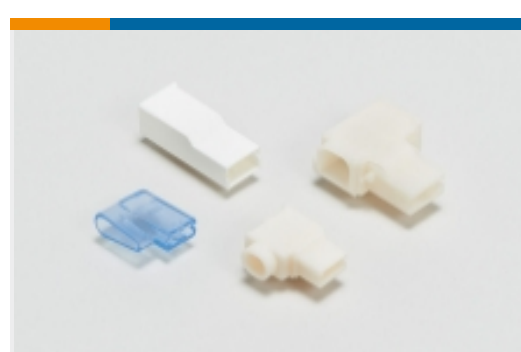


TE Part # 7-2150325-2
OCEAN-2.0-APPLICATOR-E-062F140FA




TE Part # 7-2150325-7
OCEAN_2.0_SPARE_PART_KIT-062F140F

Also in the Series | Mark III



Crimp Terminal Housings(30)



Quick Disconnects(15)

Also in the Series | Positive Lock 110



Crimp Terminal Housings(12)

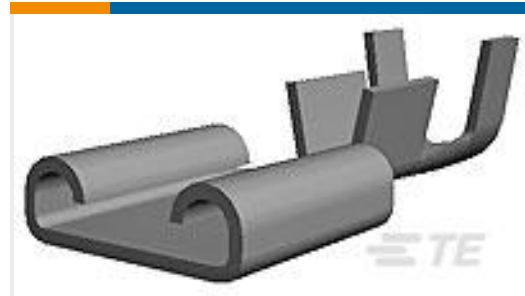


Insertion & Extraction Tools(1)



Quick Disconnects(8)

Customers Also Bought



TE Part #62428-2
250 FASTON REC 12-10 AWG TPBR



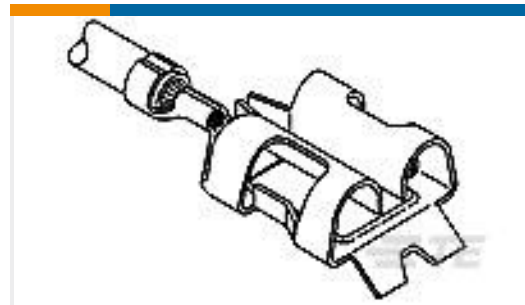
TE Part #40960
RING TERMINAL 14-12 AWG TPBR



TE Part #4-1123722-5
3.96 EP PLUG HSG 5P(RED)



TE Part #42722-1
RING TONGUE 12-10 AWG BR



TE Part #640748-7
HEAVY DUTY BURNER REC 18-14 AWG PHBRZ



TE Part #1742883-1
187 FASTON, REC., 20-16 AWG, NPST



TE Part #2098762-1
Contact, female 0.64, 20-22AWG,



TE Part #1969726-1
2P HEAVY DUTY BURNER HSG



TE Part #63482-1
RING 18-14 AWG TPSTL

Documents

Product Drawings

110 PL REC. 22-18AWG TPBR

English

CAD Files

3D PDF

3D



Customer View Model

[ENG_CVM_CVM_1742975-1_B_c-1742975-1-b.2d_dxf.zip](#)

English

Customer View Model

[ENG_CVM_CVM_1742975-1_B_c-1742975-1-b.3d_igs.zip](#)

English

Customer View Model

[ENG_CVM_CVM_1742975-1_B_c-1742975-1-b.3d_stp.zip](#)

English

By downloading the CAD file I accept and agree to the [Terms and Conditions](#) of use.

Datasheets & Catalog Pages

[.110 Low Profile Positive Lock Receptacle and Housing](#)

English

Product Specifications

[Application Specification](#)

English

Product Environmental Compliance

[TE Material Declaration](#)

English

Agency Approvals

[UL Report](#)

English