

# PE0S0SM6E ✓ ACTIVE

Corcom | Corcom P

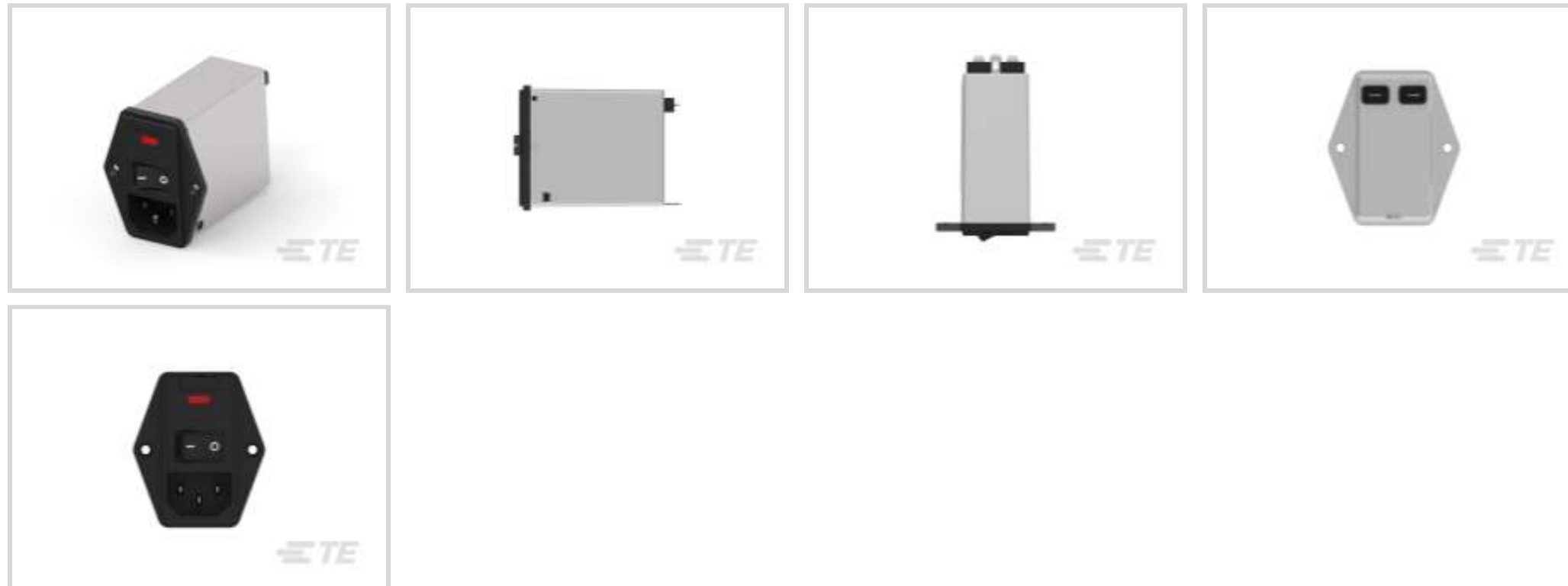
TE Internal #: 4-1609154-8

Multi-Function Inlet Filters, Power Entry Module, Single AC Input, DPST, Complete Can, Vertical, 6 A, Mounting Ears (Horizontal), IEC Input, Corcom P

[View on TE.com >](#)



EMI & EMC Solutions > EMI Filters > Multi-Function Inlet Filters > Power Entry Module: Medium Multi-Function, Corcom P Series



Filter Type: **Power Entry Module**

Input Voltage Selection: **Single AC**

Filter Switch Type: **DPST**

Filter Shield Type: **Complete Can**

Mount Angle: **Vertical**

[All Power Entry Module: Medium Multi-Function, Corcom P Series \(36\)](#)

## Features

### Product Type Features

Ground Choke Option	No
Ground Option	None
Filter Type	Power Entry Module
Filter Switch Type	DPST
Input Termination Type	IEC
Output Termination Type	.187" FASTON
Filtering Requirements	Filtered
Filter Connector Type	IEC 60320-1 C-14
Accessory Type	Fuse Clip

### Configuration Features

Fuse Options	Single
--------------	--------

### Electrical Characteristics

--	--



Input Voltage Selection	Single AC
Leakage Current (Max) (120VAC, 60Hz)	250 $\mu$ A
Leakage Current (Max) (250VAC, 50Hz)	500 $\mu$ A
Filter Current Rating	6 A
Voltage Rating (Max)	250 VAC

### Body Features

Filter Shield Type	Complete Can
--------------------	--------------

### Mechanical Attachment

Mount Angle	Vertical
Filter Mount Style	Mounting Ears (Horizontal)

### Dimensions

Panel Thickness Range	.79 – 2 mm
-----------------------	------------

### Usage Conditions

Operating Temperature Range	-10 – 40 °C
-----------------------------	-------------

### Operation/Application

For Use With	P Series
--------------	----------

## Product Compliance

[For compliance documentation, visit the product page on TE.com>](#)

EU RoHS Directive 2011/65/EU	Compliant
EU ELV Directive 2000/53/EC	Compliant
China RoHS 2 Directive MIIT Order No 32, 2016	No Restricted Materials Above Threshold
EU REACH Regulation (EC) No. 1907/2006	Current ECHA Candidate List: JUNE 2023 (235) Candidate List Declared Against: JAN 2023 (233) Does not contain REACH SVHC
Halogen Content	Low Halogen - Br, Cl, F, I < 900 ppm per homogenous material. Also BFR/CFR/PVC Free
Solder Process Capability	Not applicable for solder process capability

#### Product Compliance Disclaimer

This information is provided based on reasonable inquiry of our suppliers and represents our current actual knowledge based on the information they provided. This information is subject to change. The part numbers that TE has identified as EU RoHS compliant have a maximum concentration of 0.1% by weight in homogenous materials for lead, hexavalent chromium, mercury, PBB, PBDE, DBP, BBP, DEHP, DIBP, and 0.01% for cadmium, or qualify for an exemption to these

limits as defined in the Annexes of Directive 2011/65/EU (RoHS2). Finished electrical and electronic equipment products will be CE marked as required by Directive 2011/65/EU. Components may not be CE marked. Additionally, the part numbers that TE has identified as EU ELV compliant have a maximum concentration of 0.1% by weight in homogenous materials for lead, hexavalent chromium, and mercury, and 0.01% for cadmium, or qualify for an exemption to these limits as defined in the Annexes of Directive 2000/53/EC (ELV). Regarding the REACH Regulation, the information TE provides on SVHC in articles for this part number is based on the latest European Chemicals Agency (ECHA) 'Guidance on requirements for substances in articles' posted at this URL: <https://echa.europa.eu/guidance-documents/guidance-on-reach>

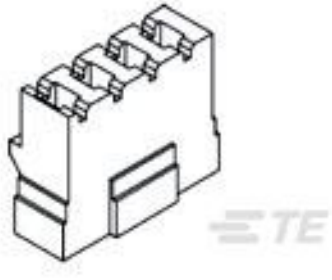
## Compatible Parts



TE Part # 1609140-1  
PA100=F6800



TE Part # 1609146-1  
PA101 CONNECTOR PLU=F6998




TE Part # 1609146-2  
PA102 CONNECTOR PIN=F6999



TE Part # 1609140-3  
PA105 J0=F6806

## Also in the Series | Corcom P



EMI & EMC Accessories(4)



Multi-Function Inlet Filters(368)

## Customers Also Bought




TE Part #5-104935-1  
04 MTE HDR SRRA LATCH



TE Part #1932788-1  
MICRO USB, TYPE B, REVERSE



TE Part #1-1571983-3  
GDH10S04=DIP SWITCH



TE Part #5745175-6  
CABLE CLAMP KIT,SZ 5



TE Part #749195-2  
68 50SR KIT, ST, UK



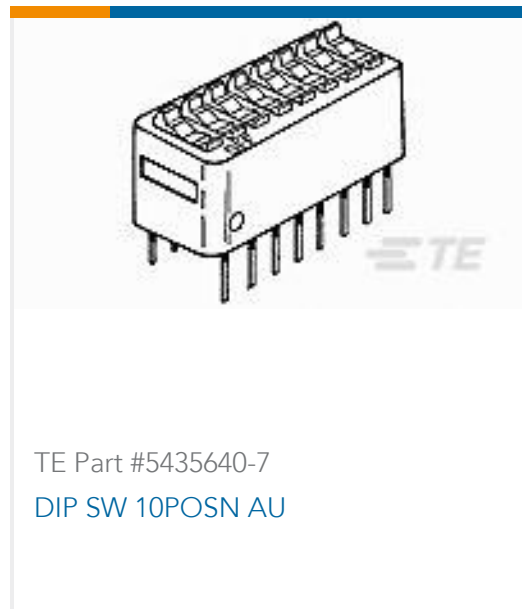
TE Part #1-2308338-1  
QL-FULL METAL HOODS SIZE 5 (1  
CABLE CLP)



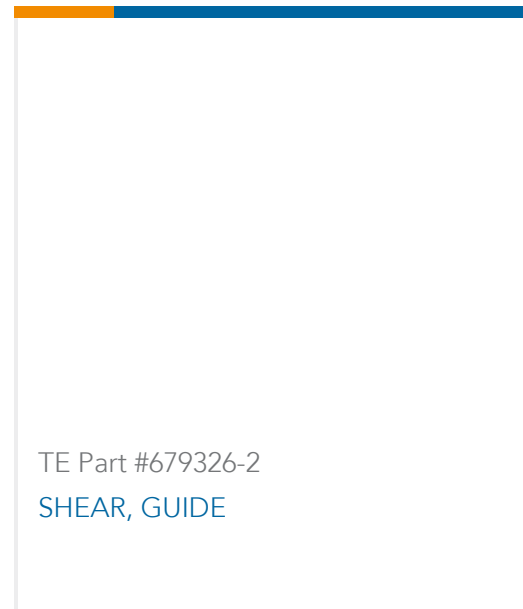
TE Part #320565  
TERMINAL, PIDG R 16-14 8



TE Part #2151071-1  
OCEAN\_2.0\_Applicator-S-062F074F



TE Part #5435640-7  
DIP SW 10POSN AU



TE Part #679326-2  
SHEAR, GUIDE

## Documents

### Product Drawings

[PE0S0SM6E=C7102](#)

English

### CAD Files

Customer View Model

[ENG\\_CVM\\_CVM\\_4-1609154-8\\_A.2d\\_dxf.zip](#)

English

3D PDF

3D

Customer View Model

[ENG\\_CVM\\_CVM\\_4-1609154-8\\_A.3d\\_igs.zip](#)

English

Customer View Model

[ENG\\_CVM\\_CVM\\_4-1609154-8\\_A.3d\\_stp.zip](#)

English

By downloading the CAD file I accept and agree to the [Terms and Conditions](#) of use.

### Datasheets & Catalog Pages

[1654001\\_CORCOM\\_PRODUCT\\_GUIDE](#)

English

[Corcom Combined Selector Charts](#)

English

[5-1773464-0\\_CORCOM\\_MEDIUM\\_P\\_SERIES\\_FILTERS](#)

English