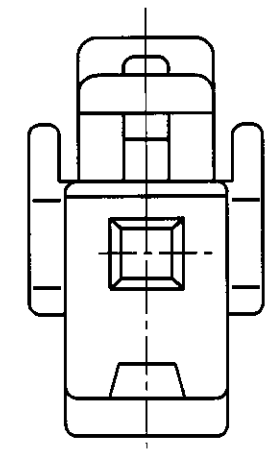
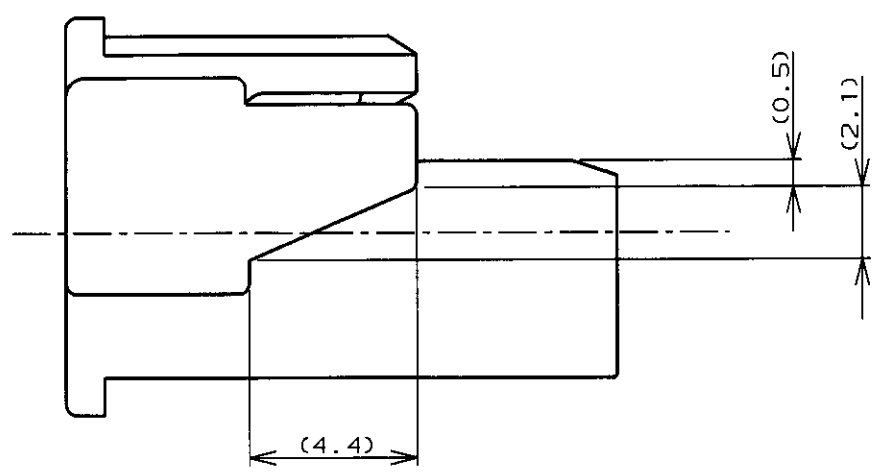
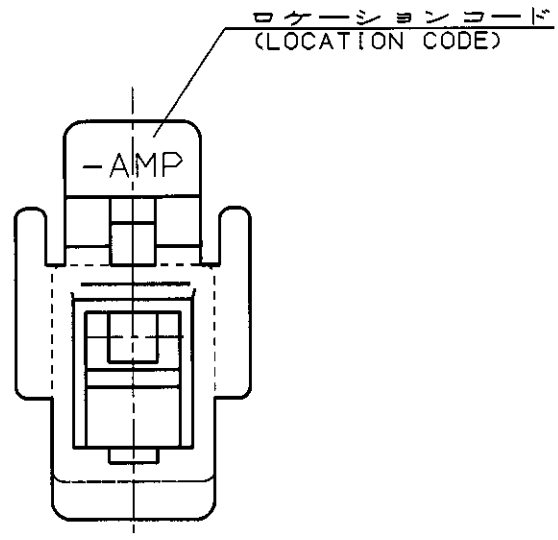
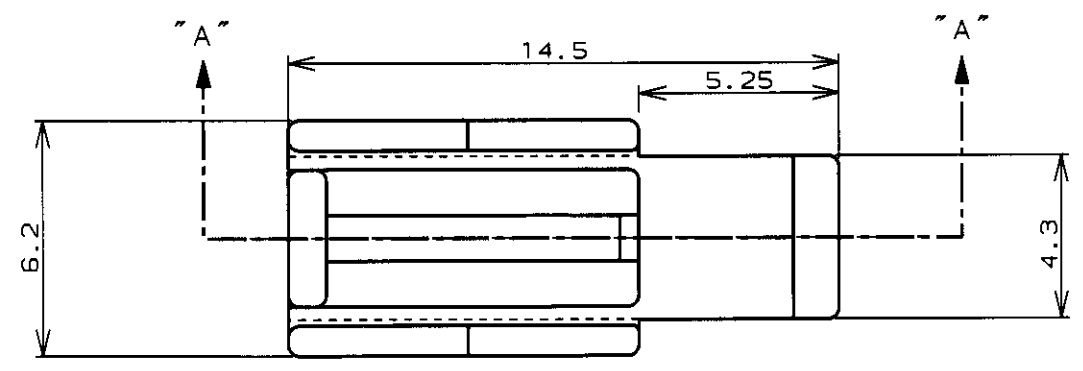
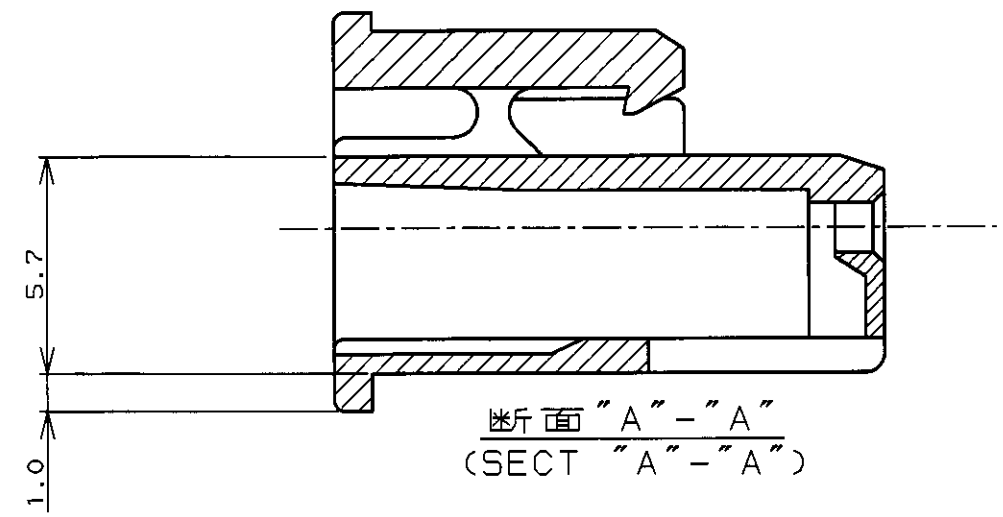


LOC	DIST	REVISIONS						
#	#	P	LTR	DESCRIPTION	ECN	DATE	DWN	APVD
			0	RELEASED	FJ00-1996-98	20 NOV '98	N.Y	M.S
			A	REVISED	FJ00-1229-99	21 Jul '99		



- 注記：  
 1. 適用コンタクト型番：0-1123721-1  
 2. 嵌合相手側製品型番：[]-1123824-[]

- NOTES:  
 1. APPLICABLE CONTACT P/N: 0-1123721-1  
 2. MATING CONN P/N: []-1123824-[]

黒 (BLACK)	5-1123823-1
赤 (RED)	4-1123823-1
青 (BLUE)	3-1123823-1
黄 (YELLOW)	2-1123823-1
自然色 (NATURAL)	1-1123823-1
色 (COLOR)	型番 (PART NUMBER)

THIS DRAWING IS A CONTROLLED DOCUMENT FOR AMP INCORPORATED. IT IS SUBJECT TO CHANGE AND THE CONTROLLING ENGINEERING ORGANIZATION SHOULD BE CONTACTED FOR THE LATEST REVISION.		DWN 20 NOV '98 N. YAMASAKI	<b>AMP</b> 日本エー・エム・ピー株式会社 Kawasaki, Japan
DIMENSIONS, 単位・概 mm 		CHK 20 NOV '98 M. SHINDO	
TOLERANCES UNLESS OTHERWISE SPECIFIED 一般公差 10% ±0.2 30% ±0.25 100% ±0.3		APVD 20 NOV '98 M. SHINDO	NAME ECONOMY POWER (EP) CONN. 1POS PLUG HOUSING エコノミ・パワー (EP) コネクタ 1POS プラグハウジング
MATERIAL 66 NYLON (UL94V-0) 66ナイロン (UL94V-0)		PRODUCT SPEC 108-5609 APPLICATION SPEC 取付適用規格	
FINISH 仕上		WEIGHT	SIZE A3 CAGE CODE 00779 DRAWING NO. 1123823 RESTRICTED TO
CUSTOMER DRAWING		SCALE 5:1 SHEET 1 OF 1 REV A	