

HC-M-03-MOD-STC - Contact insert module



1645969

<https://www.phoenixcontact.com/us/products/1645969>

Please be informed that the data shown in this PDF document is generated from our online catalog. Please find the complete data in the user documentation. Our general terms of use for downloads are valid.

HEAVYCON contact insert module, male, 3-pos., for crimp connection, without crimp contacts



Commercial data

Item number	1645969
Packing unit	1 pc
Minimum order quantity	200 pc
Note	Made to order (non-returnable)
Sales key	BF62
Product key	BF7ACB
Catalog page	Page 555 (C-4-2015)
GTIN	4017918941918
Weight per piece (including packing)	15.02 g
Weight per piece (excluding packing)	14.8 g
Customs tariff number	85366990
Country of origin	DE

Technical data

Notes

General	For HEAVYCON housing type B6 ... B48, HC-M-MHR... hinged retaining frame and CK4,0... crimp contacts required. Crimp contacts not supplied as standard.
---------	---

Mounting

Assembly instructions	<p>Housing height \geq 52 mm. Plug-in connections may only be operated only when there is no load/voltage.</p> <p>The UNIFOX RT-CK 4.0 tool (Item No. 1072064) is required for removing the crimp contacts. At every "C" contact chamber, the position of the contact retaining springs is marked with two black markings on the connection side. From the connection side, the tool is pushed over the contact in a position-oriented manner, so that it touches both the retaining springs. Then insert it up to the limit stop. DO not turn the inserted tool. Push the conductor out of the insulating body along with the tool from the connection side.</p>
-----------------------	---

Product properties

Product type	Modular contact insert
Number of positions	3
Note number of positions	3
Connection profile	3
Contact numbering	1 - 3
Application	Power
Number of module slots	1
Contact material type	turned
Series	HC-M-03

Insulation characteristics

Overvoltage category	III
Degree of pollution	3

Connection data

Connection technology

Connection technology	Crimp connection
Connection in acc. with standard	IEC / EN

Conductor connection

Conductor cross section	1.5 mm ² ... 10 mm ²
Connection cross section AWG	16 ... 8
Stripping length of the individual wire	9 mm (for 1.5 ... 2.5 mm ²) 9.6 mm (4 ... 6 mm ²)

HC-M-03-MOD-STC - Contact insert module

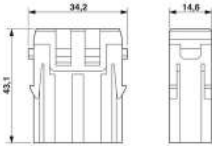


1645969

<https://www.phoenixcontact.com/us/products/1645969>

	15 mm (10 mm ²)
	15 mm (for conductor \geq 5 mm in diameter)
	18 mm (for conductor \geq 6.4 mm in diameter)

Dimensions

Dimensional drawing	
Width	34.2 mm
Height	43.1 mm
Length	14.6 mm

Mechanical characteristics

Minimum housing height	52 mm
Contact diameter	4 mm

Electrical properties

Rated voltage (III/3)	500 V
Rated surge voltage	6 kV
Rated current	40 A

Mechanical properties

Mechanical data

Insertion/withdrawal cycles	\geq 500
-----------------------------	------------

Material specifications

Flammability rating according to UL 94	V0
Contact material	Copper alloy
Contact surface material	Ag
Contact carrier material	PC

Environmental and real-life conditions

Ambient conditions

Ambient temperature (operation)	-40 °C ... 125 °C
---------------------------------	-------------------

HC-M-03-MOD-STC - Contact insert module

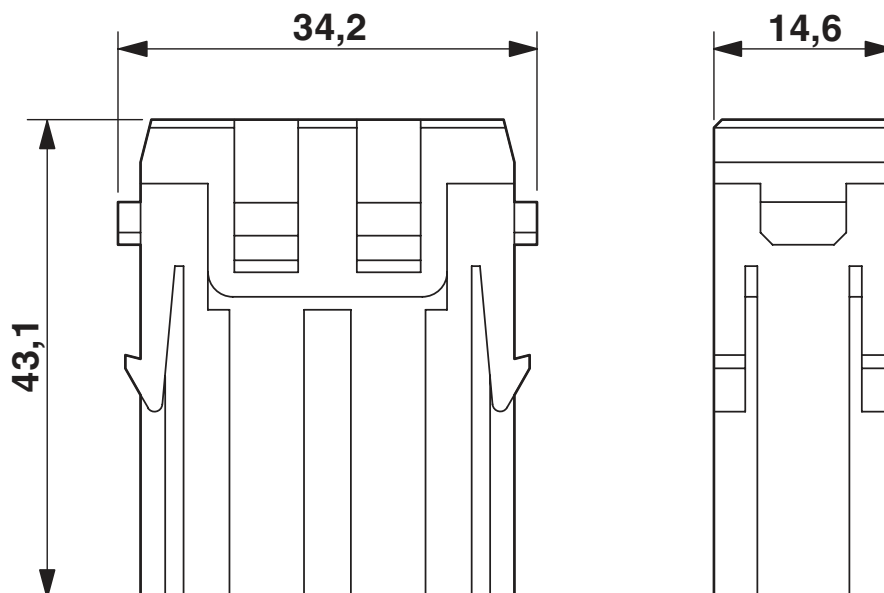


1645969

<https://www.phoenixcontact.com/us/products/1645969>

Drawings

Dimensional drawing



Male insert

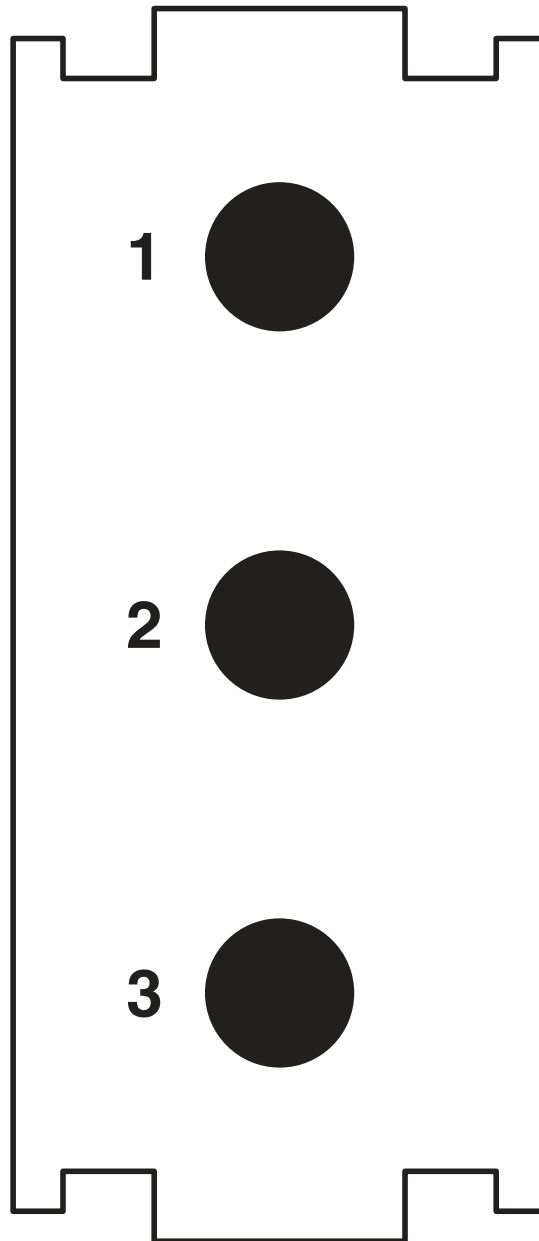
HC-M-03-MOD-STC - Contact insert module

1645969

<https://www.phoenixcontact.com/us/products/1645969>



Schematic diagram



Connector pin assignment

HC-M-03-MOD-STC - Contact insert module



1645969

<https://www.phoenixcontact.com/us/products/1645969>

Environmental product compliance

China RoHS	Environmentally friendly use period: unlimited = EFUP-e
	No hazardous substances above threshold values

HC-M-03-MOD-STC - Contact insert module



1645969

<https://www.phoenixcontact.com/us/products/1645969>

Accessories

CK4,0-ED-1,50ST AG - Crimp contact

1663239

<https://www.phoenixcontact.com/us/products/1663239>



Crimp contact, contact diameter: 4 mm, turned, Pin, contact material: Copper alloy, contact surface: silver-plated, connection cross section: 1.5 mm² ... 1.5 mm², AWG 16

CK4,0-ED-2,50ST AG - Crimp contact

1663242

<https://www.phoenixcontact.com/us/products/1663242>



Crimp contact, contact diameter: 4 mm, turned, Pin, contact material: Copper alloy, contact surface: silver-plated, connection cross section: 2.5 mm² ... 2.5 mm², AWG 14

HC-M-03-MOD-STC - Contact insert module

1645969

<https://www.phoenixcontact.com/us/products/1645969>

CK4,0-ED-4,00ST AG - Crimp contact

1663255

<https://www.phoenixcontact.com/us/products/1663255>



Crimp contact, contact diameter: 4 mm, turned, Pin, contact material: Copper alloy, contact surface: silver-plated, connection cross section: 4 mm² ... 4 mm², AWG 12

CK4,0-ED-6,00ST AG - Crimp contact

1663268

<https://www.phoenixcontact.com/us/products/1663268>



Crimp contact, contact diameter: 4 mm, turned, Pin, contact material: Copper alloy, contact surface: silver-plated, connection cross section: 6 mm² ... 6 mm², AWG 10

HC-M-03-MOD-STC - Contact insert module



1645969

<https://www.phoenixcontact.com/us/products/1645969>

CK4,0-ED-10,00ST AG - Crimp contact

1586198

<https://www.phoenixcontact.com/us/products/1586198>



Crimp contact, contact diameter: 4 mm, turned, Pin, contact material: Copper alloy, contact surface: silver-plated, connection cross section: 10 mm² ... 10 mm², AWG 8

CK4,0-ED-1,50M AG - Crimp contact

1274097

<https://www.phoenixcontact.com/us/products/1274097>



Crimp contact, contact diameter: 4 mm, turned, Pin, contact material: Copper alloy, lead-free, contact surface: silver-plated, connection cross section: 1.5 mm² ... 1.5 mm², AWG 16

HC-M-03-MOD-STC - Contact insert module



1645969

<https://www.phoenixcontact.com/us/products/1645969>

CK4,0-ED-2,50M AG - Crimp contact

1274094

<https://www.phoenixcontact.com/us/products/1274094>



Crimp contact, contact diameter: 4 mm, turned, Pin, contact material: Copper alloy, lead-free, contact surface: silver-plated, connection cross section: 2.5 mm² ... 2.5 mm², AWG 14

CK4,0-ED-4,00M AG - Crimp contact

1274093

<https://www.phoenixcontact.com/us/products/1274093>



Crimp contact, contact diameter: 4 mm, turned, Pin, contact material: Copper alloy, lead-free, contact surface: silver-plated, connection cross section: 4 mm² ... 4 mm², AWG 12

HC-M-03-MOD-STC - Contact insert module



1645969

<https://www.phoenixcontact.com/us/products/1645969>

CK4,0-ED-6,00M AG - Crimp contact

1274092

<https://www.phoenixcontact.com/us/products/1274092>



Crimp contact, contact diameter: 4 mm, turned, Pin, contact material: Copper alloy, lead-free, contact surface: silver-plated, connection cross section: 6 mm² ... 6 mm², AWG 10

CK4,0-ED-10,00M AG - Crimp contact

1274091

<https://www.phoenixcontact.com/us/products/1274091>



Crimp contact, contact diameter: 4 mm, turned, Pin, contact material: Copper alloy, lead-free, contact surface: silver-plated, connection cross section: 10 mm² ... 10 mm², AWG 8

HC-M-03-MOD-STC - Contact insert module

1645969

<https://www.phoenixcontact.com/us/products/1645969>



UNIFOX RT-CK 4.0 - Contact removal tool

1072064

<https://www.phoenixcontact.com/us/products/1072064>



Contact removal tool, for rotated CK-4,0-... contacts

CRIMPFOX-TC 4 - Crimping pliers

1212113

<https://www.phoenixcontact.com/us/products/1212113>



Crimping pliers, for CK 1,6-ED..., CK 2,5-ED..., CK 4,0-ED... turned contacts, 4 marked die stations, unlockable pressure lock, lateral entry, incl. positioning tool

HC-M-03-MOD-STC - Contact insert module



1645969

<https://www.phoenixcontact.com/us/products/1645969>

CRIMPFOX-TC 10 - Crimping pliers

1212114

<https://www.phoenixcontact.com/us/products/1212114>



Crimping pliers, for turned contacts with a pin diameter of 4.0 mm, two marked die stations, pressure lock can be released, lateral entry, incl. positioning help

Phoenix Contact 2023 © - all rights reserved

<https://www.phoenixcontact.com>

Phoenix Contact USA
586 Fulling Mill Road
Middletown, PA 17057, United States
(+717) 944-1300
info@phoenixcon.com