

GI-ACC-EDH-16W



Output Power
16 Watts

Output Voltage
170V DC

Input Current
80 mA (Max)

Input Power
4 Watts (Max)

Input Voltage
100-277VAC, 50-60Hz

Emergency Operation
≥ 90 Minutes

Operating Temp
0 °C to 50 °C

Battery
Lithium

Recharge
36 Hrs

Dimension
L 17.14" x W 2.13" x H 1.38"

GI-ACC-EDH-25W



Output Power
25 Watts

Output Voltage
170V DC

Input Current
110 mA (Max)

Input Power
6 Watts (Max)

Input Voltage
10-277VAC, 50-60Hz

Emergency Operation
≥ 90 Minutes

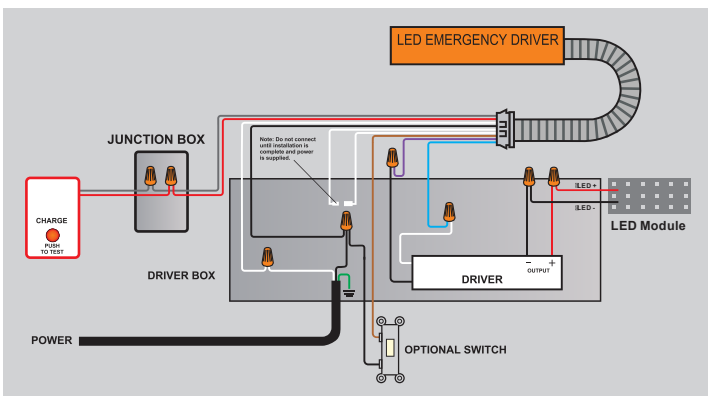
Operating Temp
0 °C to 50 °C

Battery
Lithium

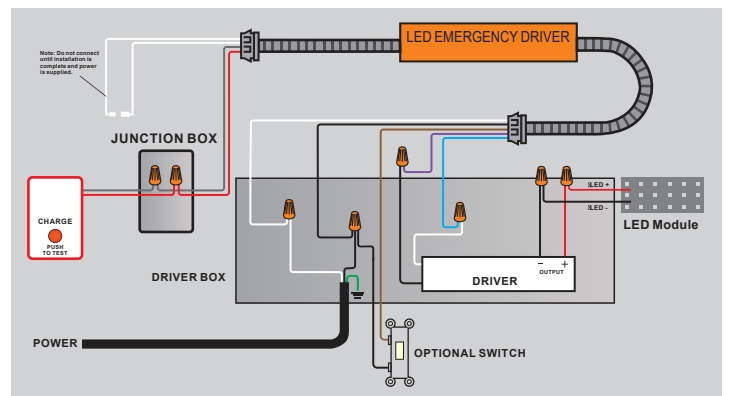
Recharge
36 Hrs

Dimension
L 17.14" x W 2.13" x H 1.57"

TYPICAL WIRING DIAGRAM



Single Flex



Dual Flex