

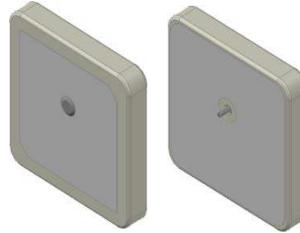
Product Specification

Patch Antenna JTT2450S25P4C



Feature

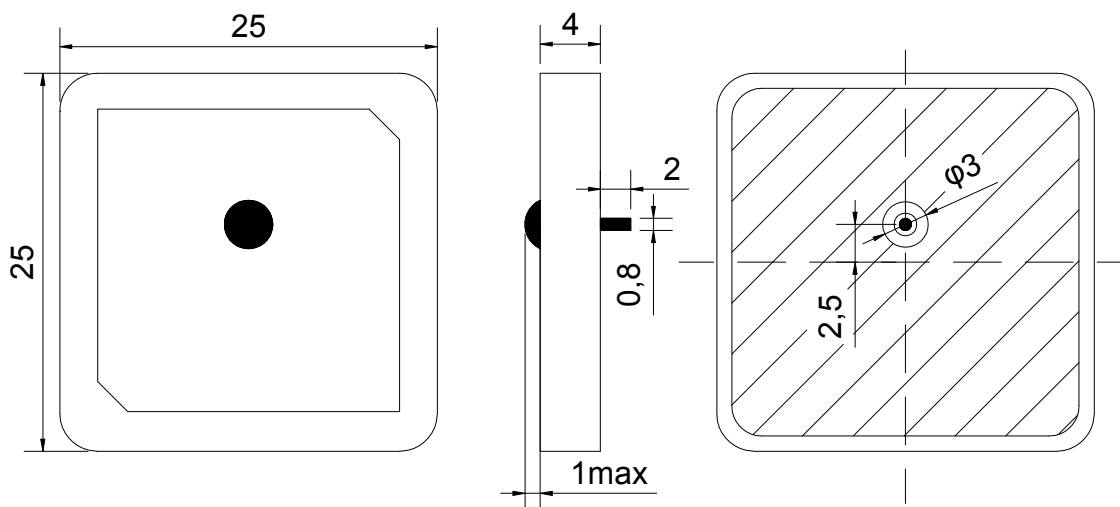
High gain , Compact
Pin type
Customization available



Electrical Specification

1 Center Frequency	2450 ± 5.0 MHz
2 Return Loss @ F0	≥ 15 dB
3 VSWR @ F0	
4 Bandwidth @ 10dB Return loss	≥ 60 MHz
5 Polarization	RHCP
6 Gain @ Zenith	3.5 dBi typ.
7 Gain @ 10° elevation	
8 Axial Ratio @ F0	≤ 5.0 dB
9 Ground plane	27 x 27 mm
10 Impedance	50 Ω
11 Frequency Temperature Coefficient	± 20 ppm/°C
12 Operation Temperature Range	-40 ~ +85°C

Mechanical Dawring



Tolerance Unless Otherwise Specified: ±0.30
Unit: mm

Product Specification

Patch Antenna
JTT2450S25P4C



Test Fixture

