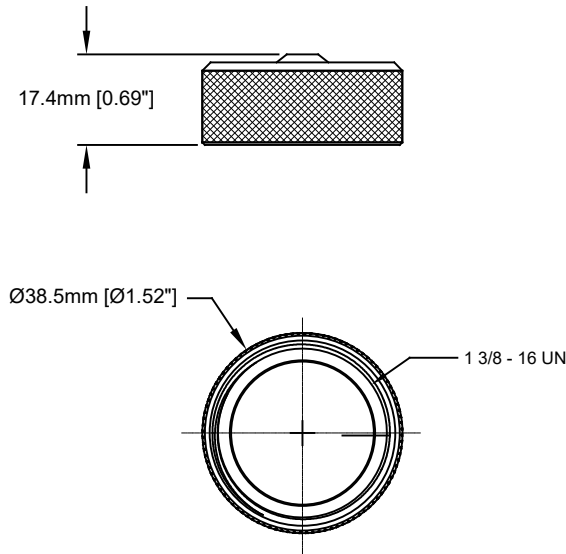
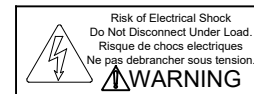


REVISIONS					
REV	ECO	DESCRIPTION	DATE	BY	APPR
A1	-	TECHNICAL DATA SHEET RELEASE	12-MAY-14	KMM	RFC



Amphenol P/N	ROCKWELL P/N	MOLEX	TURCK
P29042	889A-QCAP	55-0298	RKDM-CC



QUANTITY	PART NUMBER	DESCRIPTION	ITEM										
<b>MATERIALS LIST</b>													
<small>UNLESS OTHERWISE SPECIFIED</small> 1) All dimensions are in metric (mm). 2) Tolerances are as follows: 1 PL DEC ±0.30   Fractions ±1/64 2 PL DEC ±0.15   Angles ±1° 3 PL DEC ±0.08 3) Note reference =		<table border="1"> <thead> <tr> <th>SIGNATURES</th> <th>DATE</th> </tr> </thead> <tbody> <tr> <td>DRAWN: KMM</td> <td>12-MAY-14</td> </tr> <tr> <td>CHECKED: MRF</td> <td>12-MAY-14</td> </tr> <tr> <td>ENGINEER: KMM</td> <td></td> </tr> <tr> <td>APPROVAL: RFC</td> <td>12-MAY-14</td> </tr> </tbody> </table>	SIGNATURES	DATE	DRAWN: KMM	12-MAY-14	CHECKED: MRF	12-MAY-14	ENGINEER: KMM		APPROVAL: RFC	12-MAY-14	<h1>Amphenol</h1> <p>Sine Systems - www.amphenol-sine.com            44724 Morley Drive            Clinton Township, MI 48036</p>
SIGNATURES	DATE												
DRAWN: KMM	12-MAY-14												
CHECKED: MRF	12-MAY-14												
ENGINEER: KMM													
APPROVAL: RFC	12-MAY-14												
MATERIAL SPECIFICATIONS:  PROCESS SPECIFICATIONS:  NEXT ASSY:		CUSTOMER:  THIS DRAWING IS SUPPLIED FOR INFORMATION ONLY. DESIGN FEATURES, SPECIFICATIONS AND PERFORMANCE DATA SHOWN HEREON ARE THE PROPERTY OF THE AMPHENOL CORPORATION. NO RIGHTS OF REPRODUCTION ARE IMPLIED. ALL DIMENSIONS ARE SUBJECT TO NORMAL MANUFACTURING VARIATIONS.											
		<table border="1"> <tr> <td>SIZE</td> <td>TYPE</td> <td>DWG NO:</td> <td>REVISION</td> </tr> <tr> <td></td> <td>C-</td> <td>P29042</td> <td>A1</td> </tr> </table>	SIZE	TYPE	DWG NO:	REVISION		C-	P29042	A1			
SIZE	TYPE	DWG NO:	REVISION										
	C-	P29042	A1										
		<table border="1"> <tr> <td>SCALE</td> <td>FULL</td> <td>C-P29042</td> <td>SHEET 1 OF 1</td> </tr> </table>	SCALE	FULL	C-P29042	SHEET 1 OF 1							
SCALE	FULL	C-P29042	SHEET 1 OF 1										

TECHNICAL DATA:

- 1) MATERIALS:  
HOUSING: MACHINED ALUMINUM, ANODIZED
- 2) RoHS COMPLIANT

TITLE: M35 PB LITE, CLOSURE CAP, MALE TRUNK  
 DWG NO: C-P29042  
 REV: A1  
 SH: 1  
 OF: 1