

D-SUB contact insert - VS-25-BU-DSUB-HD-ER - 1655205

Please be informed that the data shown in this PDF Document is generated from our Online Catalog. Please find the complete data in the user's documentation. Our General Terms of Use for Downloads are valid (<http://phoenixcontact.com/download>)

D-SUB contact insert, shell size 3, with 44 signal contacts, contact type socket, for PCB assembly, angled, fixing with 4-40 UNC thread and solder pins, for panel mounting frame VS-25-...



Key commercial data

| | |
|--------------------------------------|-----------|
| Packing unit | 1 pc |
| Minimum order quantity | 10 pc |
| Weight per Piece (excluding packing) | 22.04 GRM |
| Custom tariff number | 85366990 |
| Country of origin | Germany |

Technical data

Mechanical characteristics

| | |
|------------------------------------|-------------------|
| Number of positions | 44 |
| Connection profile | 25-pos. D-SUB |
| Insertion/withdrawal cycles | ≥ 200 |
| Connection method | Solder connection |
| Insertion force per signal contact | ≤ 3.40 N |

Ambient conditions

| | |
|---------------------------------|-------------------|
| Ambient temperature (operation) | -55 °C ... 125 °C |
|---------------------------------|-------------------|

Material data

| | |
|---|------------------------------|
| Inflammability class according to UL 94 | V0 |
| Housing material | Steel, yellow chromated |
| Contact carrier material | Polyester GF |
| Contact material | Copper alloy |
| Contact surface material | Hard gold-plated over nickel |

D-SUB contact insert - VS-25-BU-DSUB-HD-ER - 1655205

Technical data

Electrical characteristics

| | |
|-----------------------|------|
| Rated voltage (III/3) | 60 V |
| Rated surge voltage | 1 kV |
| Rated current | 3 A |

Classifications

eCl@ss

| | |
|------------|----------|
| eCl@ss 4.0 | 27140816 |
| eCl@ss 4.1 | 27260701 |
| eCl@ss 5.0 | 27260701 |
| eCl@ss 5.1 | 27260701 |
| eCl@ss 6.0 | 27260705 |
| eCl@ss 7.0 | 27440309 |
| eCl@ss 8.0 | 27440309 |

ETIM

| | |
|----------|----------|
| ETIM 2.0 | EC000438 |
| ETIM 3.0 | EC000438 |
| ETIM 4.0 | EC000438 |
| ETIM 5.0 | EC000438 |

UNSPSC

| | |
|---------------|----------|
| UNSPSC 6.01 | 30211923 |
| UNSPSC 7.0901 | 39121522 |
| UNSPSC 11 | 39121522 |
| UNSPSC 12.01 | 39121522 |
| UNSPSC 13.2 | 39121522 |

Approvals

Approvals

Approvals

GOST

Ex Approvals

D-SUB contact insert - VS-25-BU-DSUB-HD-ER - 1655205

Approvals

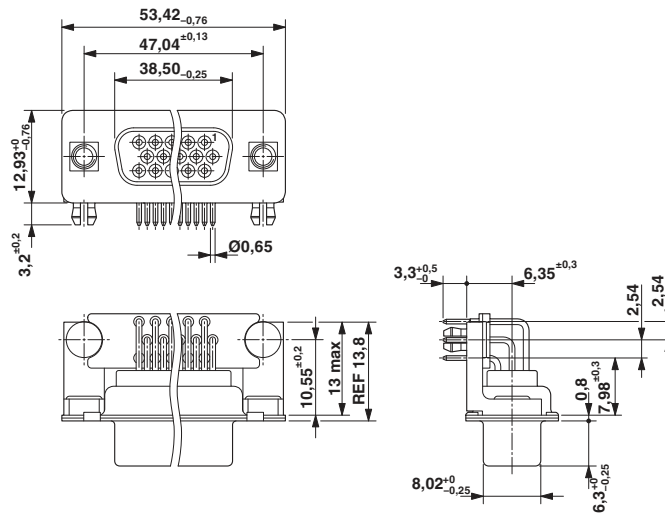
Approvals submitted

Approval details



Drawings

Dimensioned drawing



D-SUB contact insert