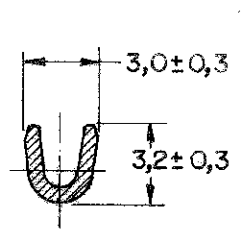
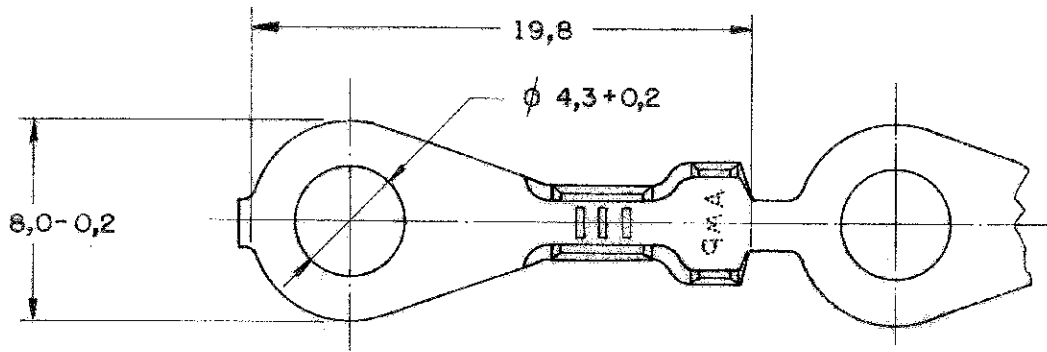
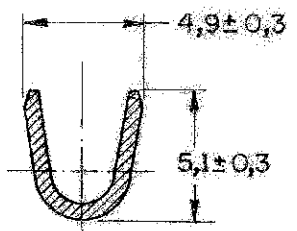


C 880626

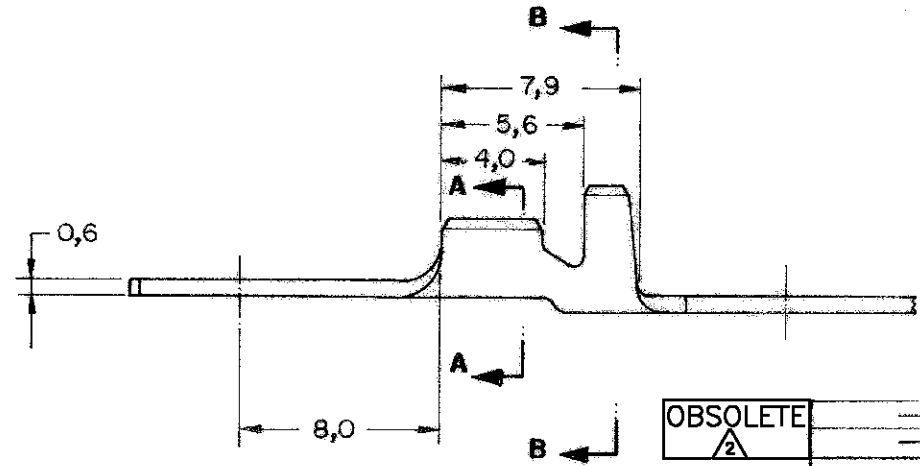
DO NOT SCALE		METRIC		3rd ANGLE PROJECTION	
DIMENSIONS IN mm.					
REQ PER ASSY	ITEM	DESCRIPTION	MATERIAL	FINISH	



CORTE A-A
SECTION



CORTE B-B
SECTION



OBSOLETE
2

ESTANHADO TIN PLATED	LATÃO BRASS	4
ESTANHADO TIN PLATED	BRONZE FOS. PHOS. BRONZE	3
ESTANHADO TIN PLATED	LATÃO BRASS	-2
ESTANHADO TIN PLATED	LATÃO BRASS	880626 -1
LOOSE PIECE	FINISH	MATERIAL
PART NUMBER		
CUSTOMER DWG for REFERENCE ONLY		
THIS DRAWING IS UNPUBLISHED / RELEASED FOR PUBLICATION		
COPYRIGHT © BY AMP DO BRASIL LTDA S.A. ALL INTERNATIONAL RIGHTS RESERVED AMP PRODUCTS MAY BE COVERED BY U.S. AND FOREIGN PATENTS AND/OR PATENTS PENDING.		
TOLERANCES UNLESS OTHERWISE STATED	INS. DIA. RANGE	WIRE RANGE
DEC. ± 0,4	2,0-3,3 mm	0,5-1,0 mm
ANGLES ± 1°	SCALE 5:1	
AMP AMP do BRASIL LTDA. São Paulo, Brasil		
DR. D.A. Rocha 12-MAY-95	DESCRIPTION	
CHK. 29-MAY-95 J.R. Goldschmidt	RING TONGUE	
A4 REVISED PER ECO-09-026444	REV. A4	REV. A4
A3 REV. ECO-08-007968	DRAWING NO. C 880626	
A2 REDRAWN WITHOUT CHANGE 216-95	SHEET 1 OF 1	
REVISION	RECORDED	DATE

- 1 - REBOBINAR INTERCALANDO COM PAPEL.
REREELING WITH PAPER INTERLEAVE
- 2 - OBSOLETE PARTS: OBSOLETE CIS STREAMLINING
PER D.RENAUD/D.SINISI