

**Ratings**

Voltage: 600 V  
 Temperature: -40~105 °C  
 Flammability: FT2

**Conductor**

Conductor count: 2  
 Gauge: 24 AWG 0.21 mm<sup>2</sup>  
 Material: tinned copper strands  
 Strand size:  $\phi$ 0.08 x 41  
 Resistance at 20 °C: 94.2  $\Omega$  /km max

**Insulator**

Material: mPPE  
 Color: red, black  
 Diameter:  $\phi$ 1.1  $\pm$ 0.10  
 Average thickness: 0.24 mm  
 Minimum thickness: 0.19 mm  
 Resistance at 20 °C: 100 M $\Omega$  /km min

**Shield**

Type: foil  
 Material: aluminum mylar  
 Coverage: 100%

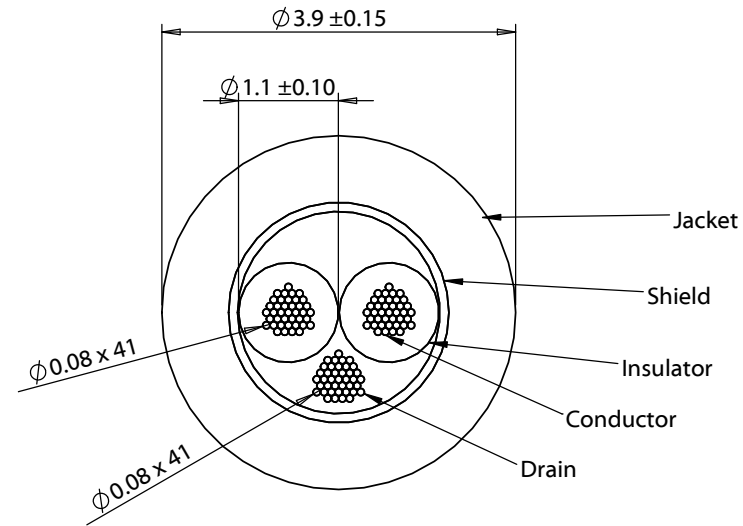
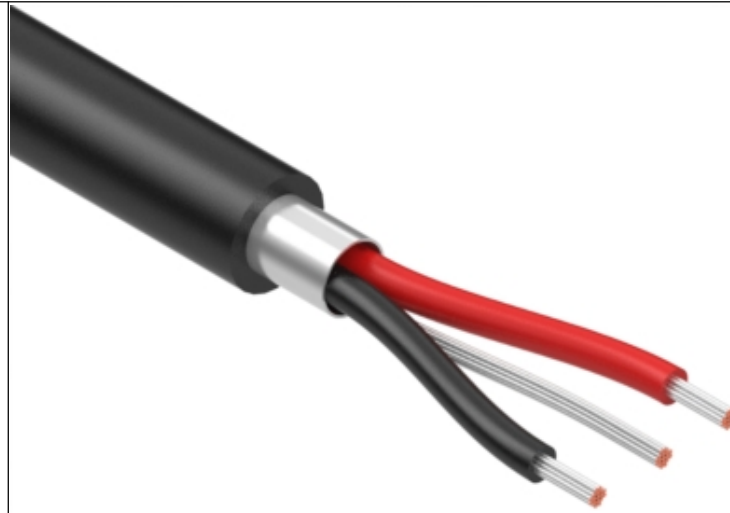
**Outer jacket**

Material: mPPE, 85A  
 Color: black  
 Diameter:  $\phi$ 3.9  $\pm$ 0.15  
 Average thickness: 0.8 mm  
 Minimum thickness: 0.56 mm

**Wire marking:** E339579 UL AWM STYLE 21509 24 AWG 105°C 600V --- cUL AWM I A 105°C 600V FT2 TENSILITY

**Bend radius**

Minimum: 6 times diameter (23.4 mm)



Revision:	Date:	Description:	Prepared:	Notes:	<h1>TENSILITY</h1> <p>tel 1.541.323.3228 800 877.670.7118                  fax 1.541.323.4202 web tensility.com</p>
A	4/20/2020	Initial release	JC <small>Digitally signed by JC Date: 2020.04.20 16:44:10 -07'00'</small>	RoHS compliant	
			Verified: AW <small>Digitally signed by AW Date: 2020.04.20 16:45:41 -07'00'</small>	Phthalate and halogen free	Size: Part number: A 30-01408
			Dimensions are in millimeters. Tolerances: X: $\pm$ 0.5 mm X.X: $\pm$ 0.3 mm X.XX: $\pm$ 0.05 mm	Description: Wire, 2C TS, 24 AWG, 21509, 600V, 105C, 3.9 mm, shielded, FT2, mPPE	Scale: 12:1
					Sheet 1 of 1

5

4

3

2

1