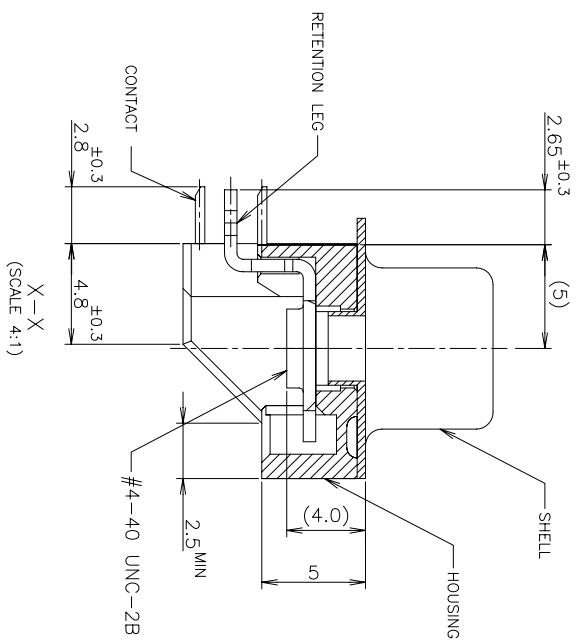
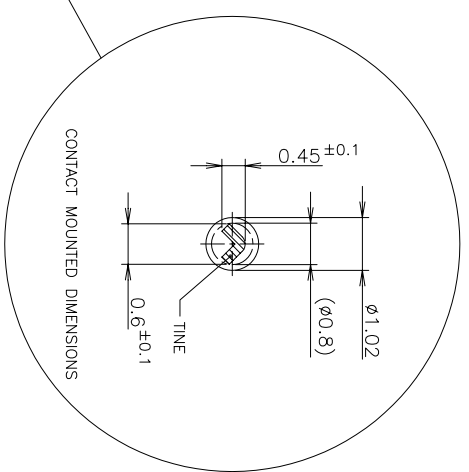
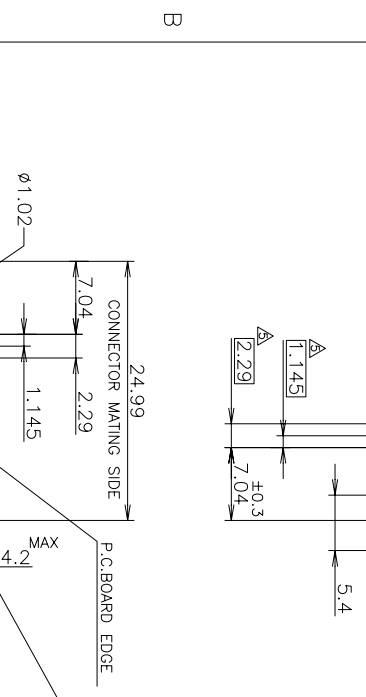
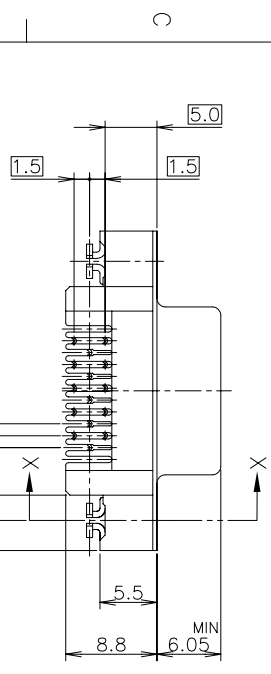
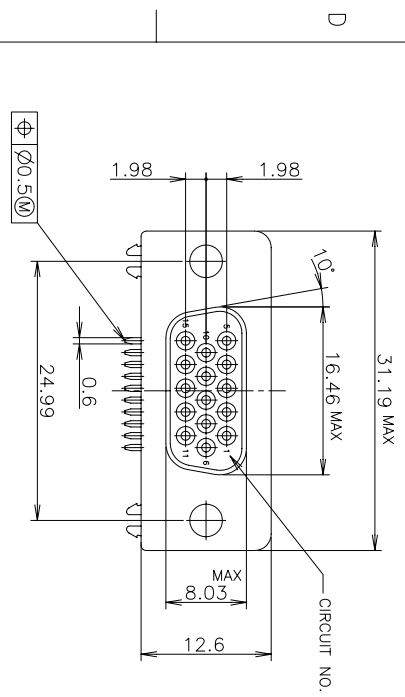
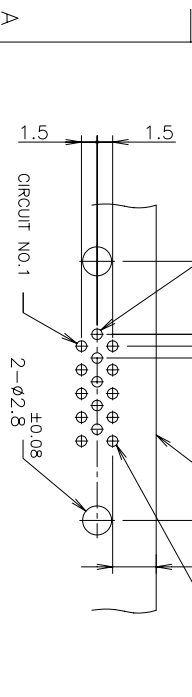


LOC	DIST	P	LTR	DESCRIPTION	DATE	DMN	APVD
J		A		RELEASE (ECR-05-001155)	5APR05	L.Z	I.E



- 1 THESE PRODUCTS CONFORM AMP SPEC 108-5401.
- MATERIAL HOUSING: THERMOPLASTEC
- SHELL: CARBON STEEL
- CONTACT: COPPER ALLOY
- RETENTION LEG: COPPER ALLOY
- FINISH CONTACT: GOLD PL.
- SHELL: NICKEL PL.
- RETENTION LEG: TIN PL.
- 4 SCREWLOCK OR SCREW MUST BE ASSEMBLED BEFORE PLUG CONNECTOR MATING. (SCREW ON TORQUE: 5kg-cmMAX)
- P. C. BOARD MOUNTING DIMENSION CONFORM MIL SPEC. (MS-18273)



P. C. BOARD MOUNTING DIMENSIONS (±0.1)
 THK=0.8~1.6

GENERAL TOLERANCE

10 ≥ : ±0.2
 30 ≥ > 10 : ±0.25
 100 ≥ > 30 : ±0.3
 ANGLES : ±3°

THIS DRAWING IS A CONTROLLED DOCUMENT.

DIMENSIONS:	TOLERANCES UNLESS OTHERWISE SPECIFIED:
mm	0 P/C ±
	1 P/C ±
	2 P/C ±
	3 P/C ±
	4 P/C ±
	ANGLES ±

MATERIAL SEE NOTE

FINISH SEE NOTE

DMN	5APR05	5APR05	5APR05
LEO ZHOU			
CHK STEVEN YAO			
APVD I. ENOMOTO			
PRODUCT SPEC			
APPLICATION SPEC			
WEIGHT			
CUSTOMER DRAWING			
NAME	tyco Electronics Tyco Electronics AMP K.K. Kawasaki, Japan		
RECEPTACLE ASSY RIGHT ANGLE SIZE 1, 15P			
LOW PROFILE STD-D P.C.B t=0.8~1.6 DIP			
SHELL: NICKEL PL. AMPLIMITE III-J ULTRA SLIM HD-22			
SIZE	A3	00779	5179696
CAGE CODE	5179696		
DRAWING NO	5179696		
RESTRICTED			
AU: 0.00076 MIN.	FINISH		
5179696-9	P/N		
SCALE 2:1	SHEET 1	OF 1	REV A