

Linearer Hub
Straight action principle

Entriegelbare Zwangssperre
Ratchet release

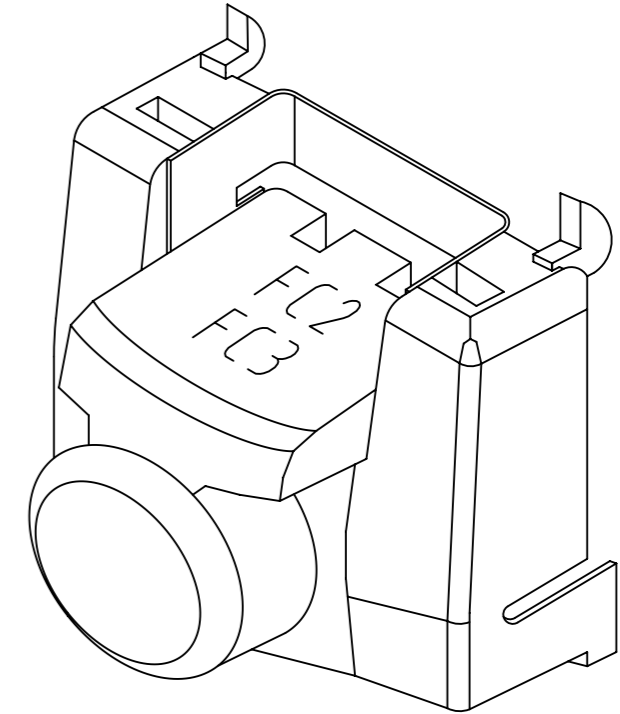
Kontaktpositionierung mit Positionierer
Contact positioning with locator

Präzise geschliffene Profile
Precisely ground profiles

Gewicht ca. 350 g
Weight approx. 350 g

Positionierer FC2-3 im Set enthalten.
Ersatzteil-Nr. 09 99 000 0642

Locator FC2-3 scope of delivery.
Spare part no. 09 99 000 0642



Anwendungsbereich: FC3 Kontakte

Application range: FC3 contacts

Leiterquerschnitt: Profil 1: 0,50-1,30 mm² (AWG 16-20)

wire gauge : Profil 2: 1,00-1,50 mm² (AWG 16)

für Crimpkontakte:
for crimp contacts:

| 09 06 000 8482 | Feder / female | 2 | 0,5-1,5 | 20-16 | 1,6-2,8 |
|----------------------------|---------------------------------|-----------|---------------------------------|------------|----------------------------|
| 09 06 000 8472 | Feder / female | 1 | 0,5-1,5 | 20-16 | 1,6-2,8 |
| Kontakt Nr. contact no. | Messer / Feder male / female | AFS PL | Leiterquerschnitt wire gauge | AWG AWG | Isolationsø Insulationø |

| | | | | | |
|---|--|--------------------------|---------------------------|---------------------------|--|
| | All Dimensions in mm Original Size DIN A3 | Scale 1:1 | Free size tol. | | Ref. Sub. |
| | All rights reserved Department EC PD - DE | Created by WAERMKER | Inspected by HAERTLING | Standardisation KOHLER | Date 2012-10-08 |
| HARTING Electronics GmbH D-32339 Espelkamp | | Title CRIMP-TOOL FC 3 | | | Doc-Key / ECH-Nr. 100073564/UGD/001/B |
| Type TB | Number 09990000077 | | Rev. B | Page 1/1 | |