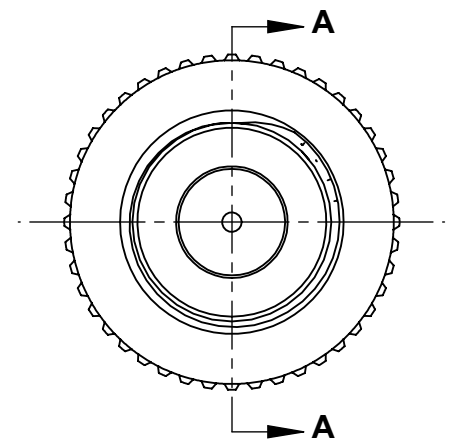
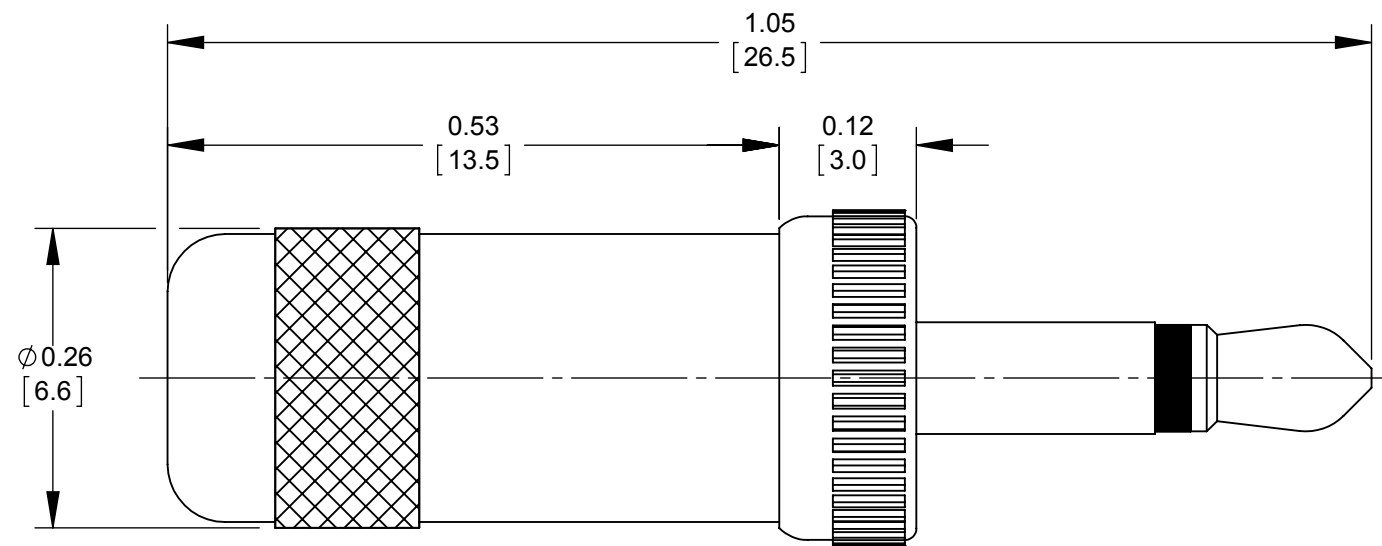
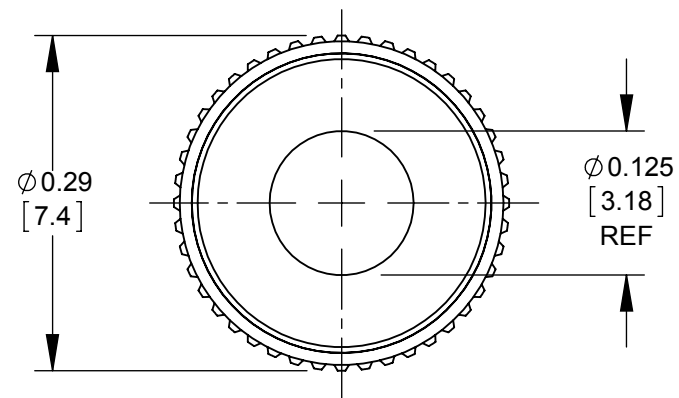
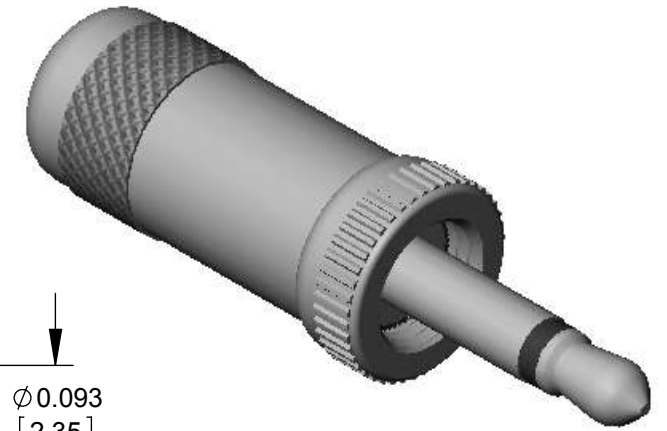
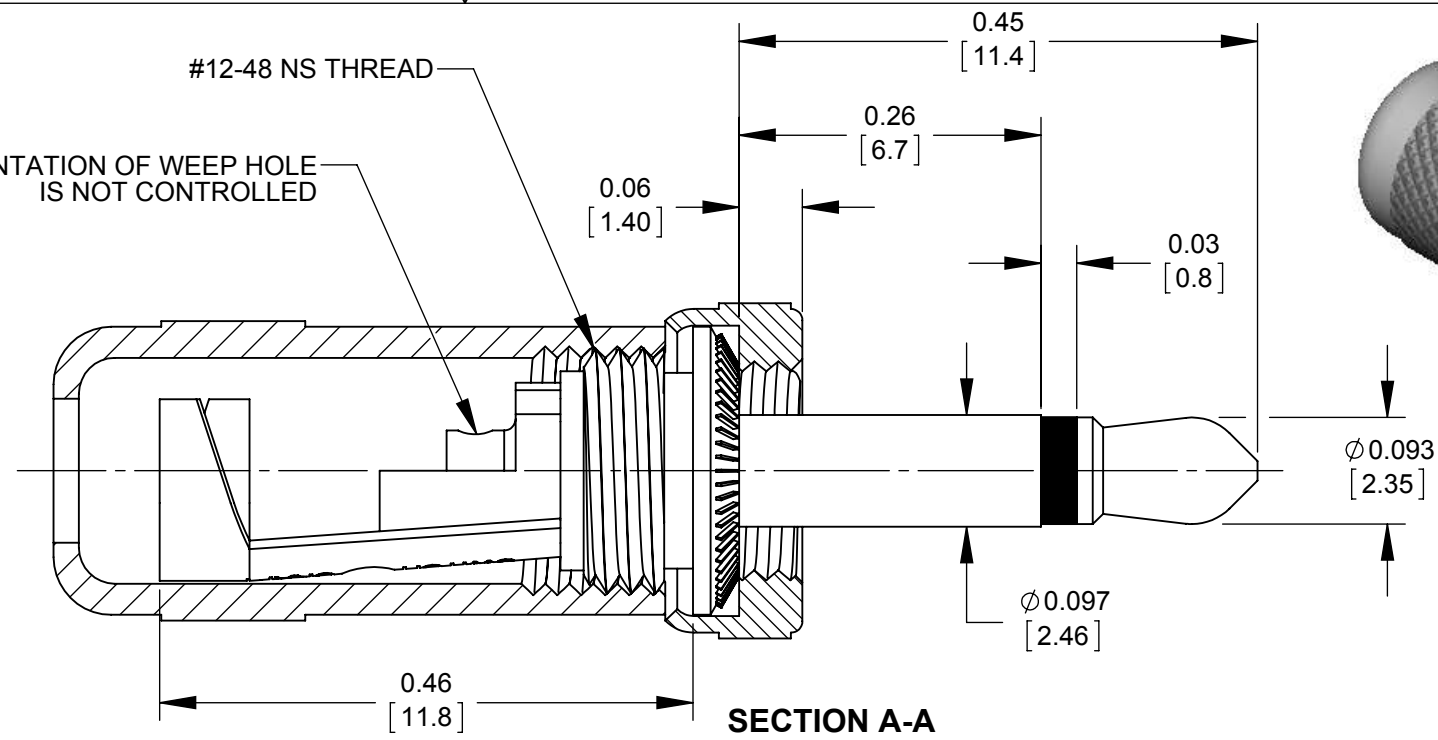


B ORIENTATION OF WEEP HOLE IS NOT CONTROLLED



PART NUMBER	HANDLE COLOR
851X	BLACK
856X	RED
881X	CLEAR ANODIZED

**CUSTOMER DRAWING**

NOTES:

- MATERIALS:  
TIP, BODY AND COUPLING RING - COPPER ALLOY, NICKEL PLATED  
CABLE CLAMP - COPPER ALLOY, TIN PLATED  
INSULATION - THERMOPLASTIC, DARK GRAY  
HANDLE - ANODIZED ALUMINUM, SEE TABLE FOR COLOR
- COUPLING RING HAS A #10-48 NS-2B THREAD. 0.050 MINIMUM THREAD PROJECTION OF JACK FOR PROPER LOCK.
- HANDLE IS SHIPPED UNASSEMBLED.
- THIS PRODUCT IS RoHS COMPLIANT.

REV	ECO NUMBER	DATE	BY	APVD
B	27510	06-03-15	TJK	TJK
A	26062	06-28-06	TO	TJK
REV	ECO NUMBER	DATE	BY	APVD

UNLESS OTHERWISE SPECIFIED

1. ALL DIMENSIONS IN INCHES [mm]

- TWO PLACE DECIMALS ±0.02 [0.5]

- THREE PLACE DECIMALS ±0.005 [0.13]

DO NOT SCALE DRAWING

THIS DRAWING DESCRIBES A DESIGN CONSIDERED PROPRIETARY IN NATURE, DEVELOPED AND MANUFACTURED BY SWITCHCRAFT INC. AND IS RELEASED ON A CONFIDENTIAL BASIS FOR IDENTIFICATION PURPOSES ONLY.									
SIZE	WIDTH	MULT	LBS/M	TEMPER					
FINISH					MATERIAL				
SPEC No.					SPEC No.				
FIRST USED ON				SCALE					
				6:1					
DATE DRAWN	BY	CHKD	APVD						
01-23-08	AH	AH	TJK						
			01-23-08	01-23-08					
NAME 2 CONDUCTOR, LOCKING MICRO-PLUG ASSEMBLY, RoHS								PART No.	
								851X, 856X, 881X	
									REV
									B