

4

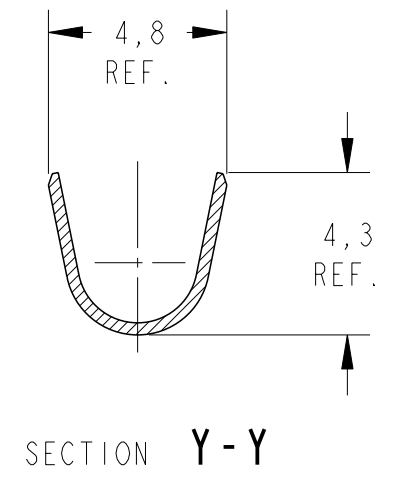
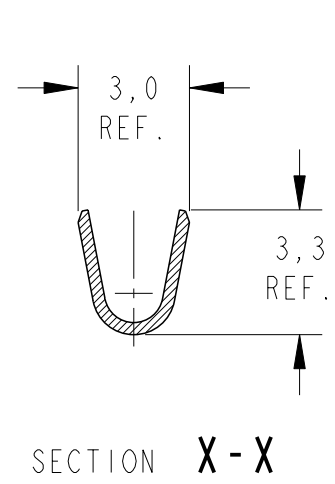
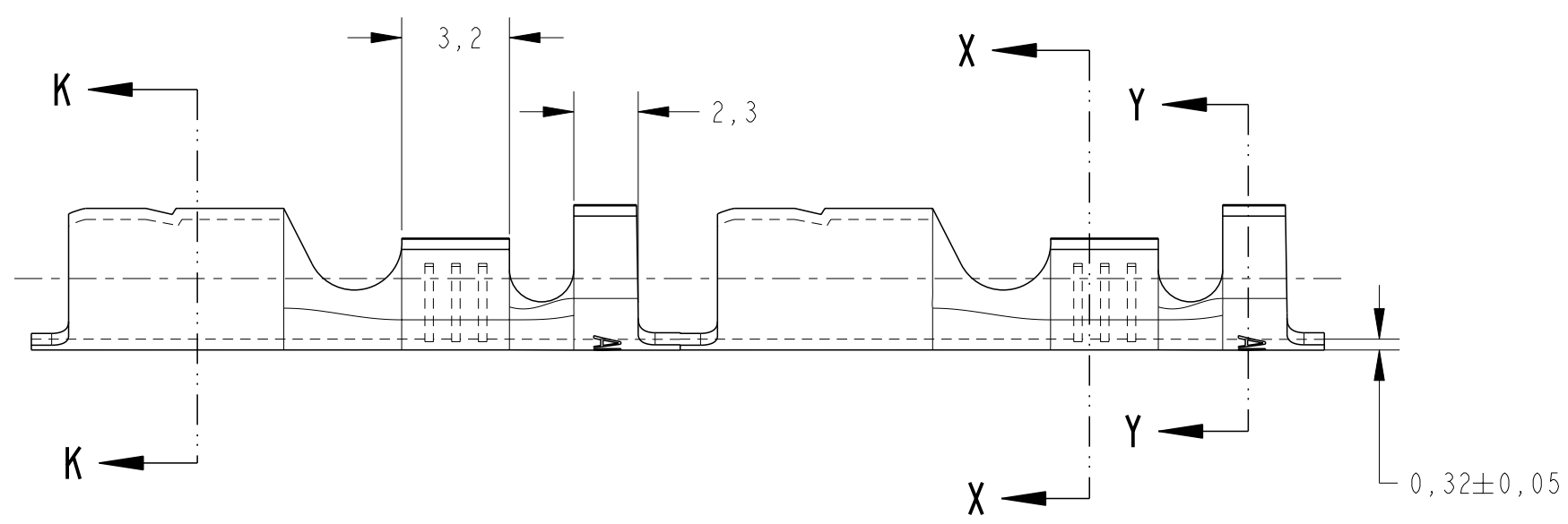
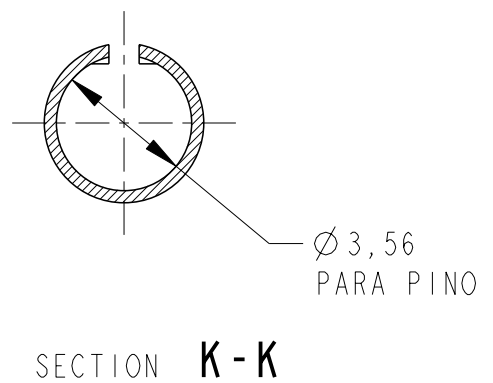
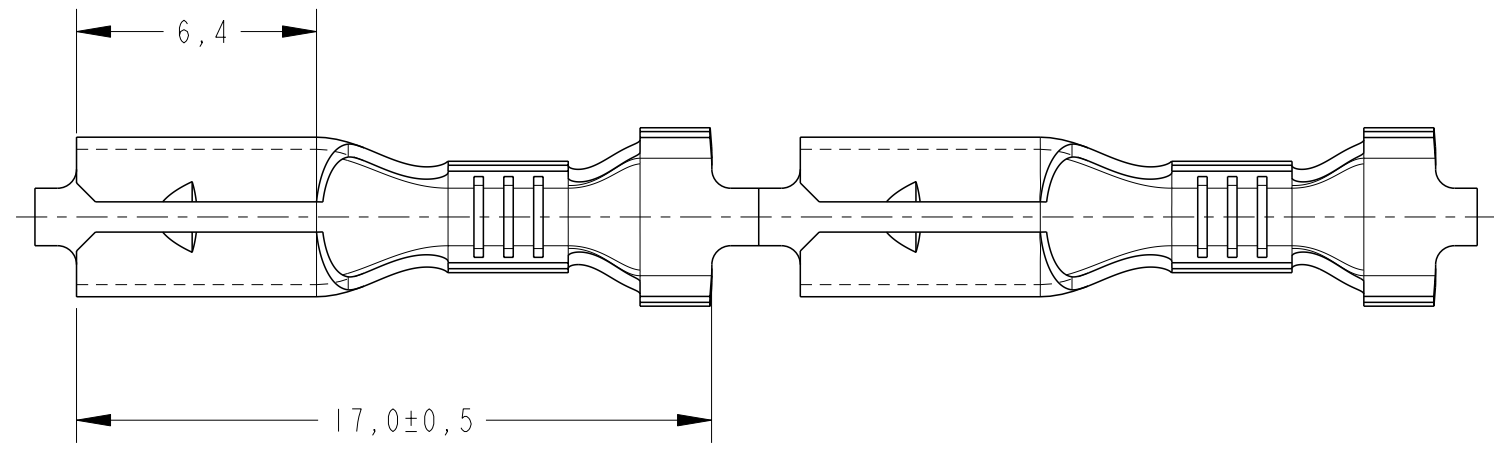
3

2

1

THIS DRAWING IS UNPUBLISHED. RELEASED FOR PUBLICATION 20
 © COPYRIGHT 20 BY TYCO ELECTRONICS CORPORATION. ALL RIGHTS RESERVED.

| LOC | DIST | REVISIONS | | | | |
|-----|------|-------------------------------|-----------|-----|------|--|
| P | LTR | DESCRIPTION | DATE | DWN | APVD | |
| AP | - | | | | | |
| C | | REDRAWN BY CAD ECO-07-006139 | 21MAR2007 | NCL | MR | |
| D | | REVISED DRAWING ECO-11-000075 | 05JAN2011 | NCL | ASV | |



| | | | | |
|---|------------|--------------------------------|--|------------------------|
| WIRE RANGE 20-16AWG | 626212-2 | ESTANHADO | LATÃO | 626399-2 |
| INSUL RANGE Ø 2,3-3,3mm | 626212-1 | — | LATÃO | 626399-1 |
| | PEÇA SOLTA | FINISH | MATERIAL | PART NO |
| <small>THIS DRAWING IS A CONTROLLED DOCUMENT FOR TYCO ELECTRONICS CORPORATION IT IS SUBJECT TO CHANGE AND THE CONTROLLING ENGINEERING ORGANIZATION SHOULD BE CONTACTED FOR THE LATEST REVISION.</small> | | DWN NLAPRESA 21MAR2007 | TYCO ELECTRONICS Brasil LTDA. Sao Paulo, Brasil | |
| DIMENSIONS: mm | | CHK A. PERUSSI 21MAR2007 | NAME .140 DIA SHUR PLUG RECEPTACLE | |
| TOLERANCES UNLESS OTHERWISE SPECIFIED: 0 PLC ±0,4 1 PLC ±- 2 PLC ±- 3 PLC ±- 4 PLC ±- ANGLES ±1° FINISH SEE TABLE | | APVD LWPRADO 21MAR2007 | PRODUCT SPEC - / - APPLICATION SPEC - / - WEIGHT - / - | |
| MATERIAL | SEE TABLE | SIZE A3 | CAGE CODE - | DRAWING NO C-626399 |
| CUSTOMER DRAWING | | | RESTRICTED TO - | SCALE 5:1 |
| | | | SHEET 1 | OF 1 |
| | | | REV D | |