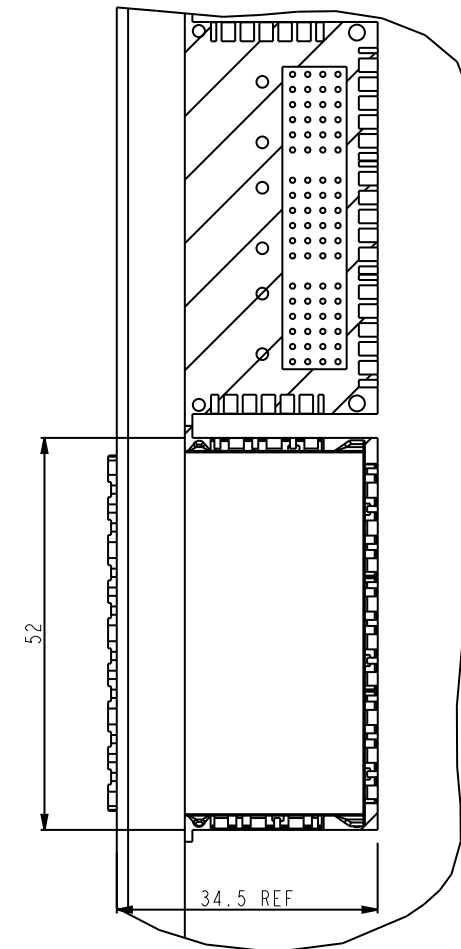
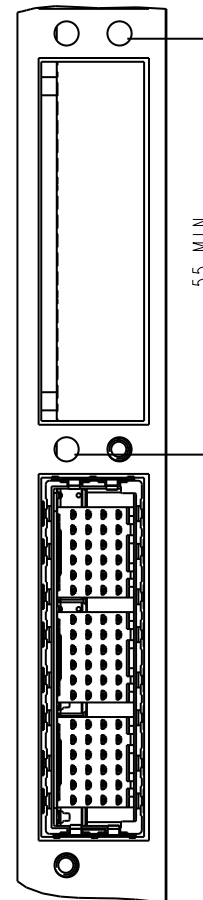


PRODUCT SPECIFICATION: GS-12-307
 PACKAGING SPECIFICATION: EUR-14-010
 APPLICATION SPECIFICATION: GS-20-049

NOTES:

1. Material:
 Header Housing: Liquid Crystal Polymer 30%
 Glass filled flame retardent acc. UL 94-V0
 Cover: Zin Alloy (ZAMAC)
 Terminals: Tin bronze
 Ground spring: Stainless Steel
2. PCB thickness: 2.4mm
3. Mounting tolerance for PCB Contact Strip
 max. 0.05mm misplacement outside
 the solder pad, valid for all directions.
4. ROHS informations: see sheet 3



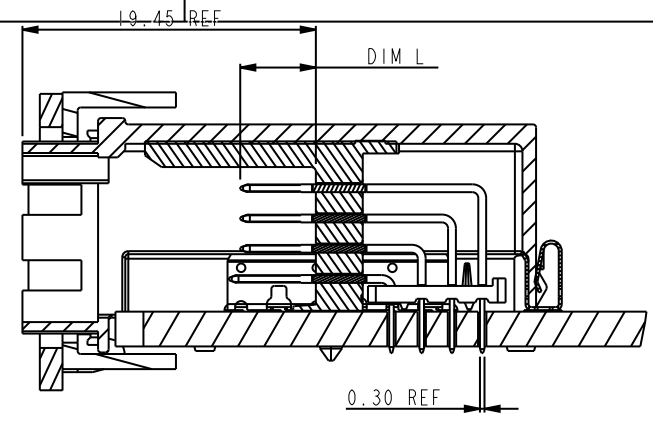
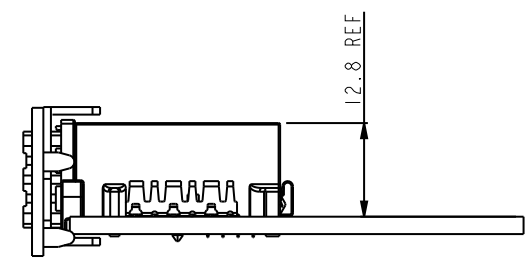
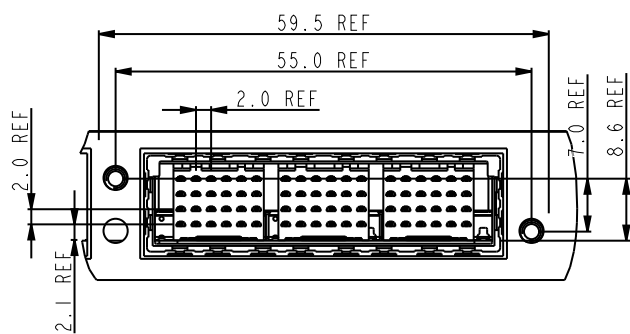
Performance level	
10022805-10ILF	TELCORDIA CO.
10022805-20ILF	Customer Special



Copyright FCI.

rev	ecn no	dr	date
E	LS07-0195	JTA	2007/10/02
F	N09-0394	SH	2009/12/22
-	-	-	-
-	-	-	-
-	-	-	-
-	-	-	-

www.fciconnect.com		surface 0.8	tolerance std	projection	
		TOLERANCES UNLESS OTHERWISE SPECIFIED			
Dr	J. Taron	2004/09/02	ANGULAR	0.x	±0.3
Eng	M. Loman	2004/09/02	LINEAR	0.xx	±0.15
Chr	W. Panis	2004/09/02	0°	0.xxx	±0.08
Appr	M. Loman	2004/09/02	Product family	SOFIX	Spec ref
		title		dwg no	Rev.
		SOFIX 72 POS KIT		10022805	F
		SHIELDED HDR 3x24 STB		CUSTOMER	sheet 1 of 2
		catalog no			



SECTION 1-1
SCALE 2.000

BILL OF MATERIAL

DESCRIPTION	QTY	CONTACT AREA PLATING	SOLDER AREA PLATING
KIT 10022805-201LF			
SHIELDING COVER	1	6um Sn min. over cu and Ni	NA
24 POS RA HEADER	3	1.27um min. Gold over Ni	2.5-7.5um Sn over 1.27um min. Ni
PCB CONTACT STRIP	5	3um Sn min. over Ni	3um min. Sn

HEADER LOADING PATTERN

PRODUCT NO.	MATING LEGTH DIMENSION L	
72800-211LF	ROW D: 5.0 ROW C: 5.0 ROW B: 5.0 ROW A: 5.75	

www.fciconnect.com		surface 0.8	tolerance std	projection	
		TOLERANCES UNLESS OTHERWISE SPECIFIED			
Dr	J. Taron	2004/09/02	ANGULAR	0.x	±0.3
Eng	M. Loman	2004/09/02	LINEAR	0.xx	±0.15
Chr	W. Panis	2004/09/02	0°	0.xxx	±0.08
Appr	M. Loman	2004/09/02	Product family		SOFIX
				size	A4
				Scale	1.000
				ECN	LS07-0310
				Spec ref	
			title	SOFIX 72 POS KIT	
			title	SHIELDED HDR 3x24 STB	
			dwg no	10022805	Rev. F
			catalog no	CUSTOMER	sheet 2 of 2

rev	ecn no	dr	date
E	LS07-0195	JTA	2007/10/01
F	N09-0394	SH	2009/12/22
-	-	-	-
-	-	-	-
-	-	-	-
-	-	-	-



Copyright FCI.