

W59-900067

MECHANICAL

TRAVEL (NOMINAL) : 2.3mm
 LIFE (MINIMUM) : 1,000,000 CYCLES
 OPERATING FORCE (NOMINAL): 3N

ENVIRONMENTAL & PHYSICAL :

INGRESS PROTECTION: IP67
 PANEL SEALING (SEE NOTE): IPX3
 PANEL THICKNESS WITH "O" RING : 2.7/ 2.5mm
 PANEL THICKNESS WITHOUT "O" RING : 3.65/3.55mm

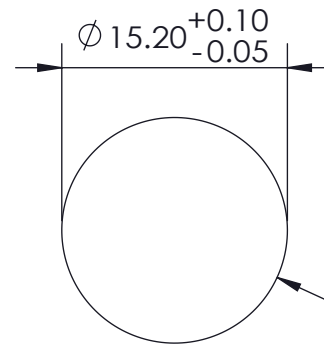
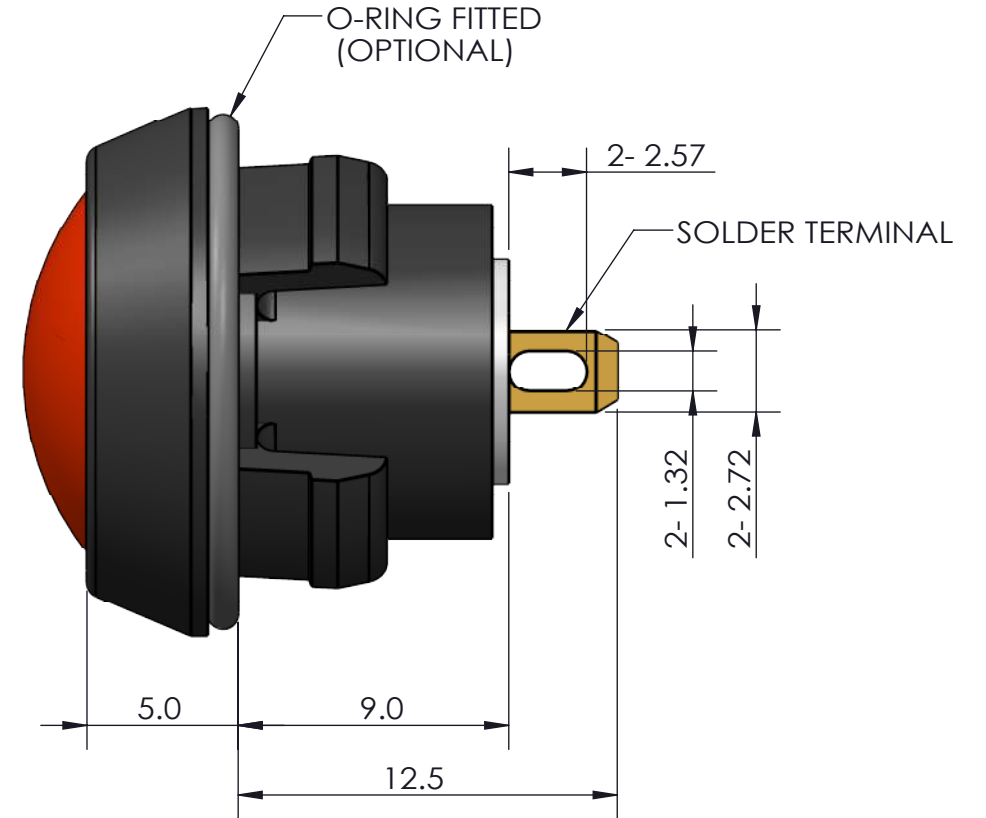
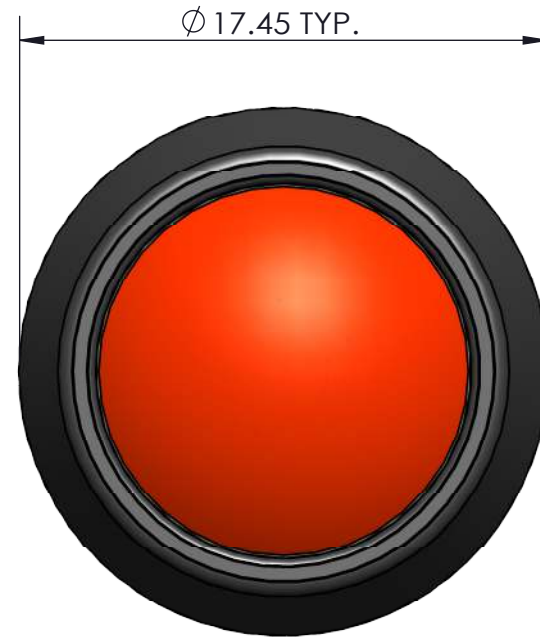
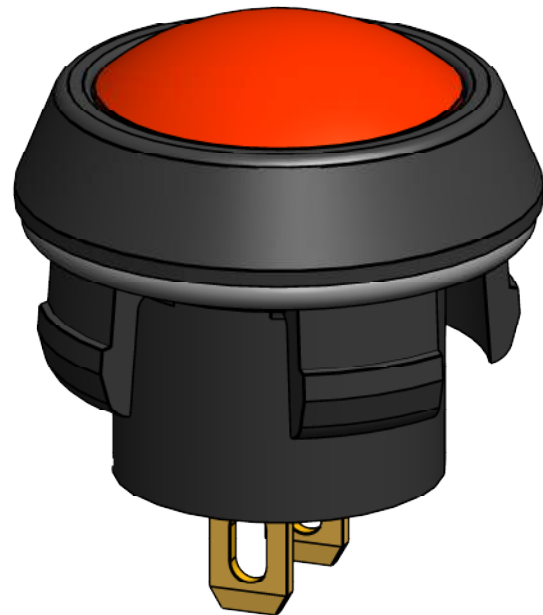
BUMP TEST (BS 2011:Part 2.1 Eb) : 40g
 OPERATING TEMP: -40°C~+105°C
 CONTACTS : GOLD PLATED PALLADIUM NICKEL

ELECTRICAL (SWITCH ONLY)

DIELECTRIC STRENGTH: 1000VAC
 INSULATION RESISTANCE: 1G ohm
 CONTACT RESISTANCE (INITIAL) : 50M ohm
 CURRENT RATING:
 @ 32 VAC RESISTIVE: 400mA
 @ 50 VDC RESISTIVE : 100mA
 @125 VAC RESISTIVE: 125mA
 LIFE (MINIMUM) : 500,000 CYCLES
 SWITCHING POWER (MAXIMUM) : 16VA AC

NOTE

WITH O' RING FITTED PANEL SEALING TO AT LEAST IPX3 WILL BE ACHIEVED, PROVIDED THE PANEL CUT OUT / THICKNESS TOLERANCES ARE MAINTAINED




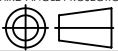
DE-BURR/COUNTERSINK TO BE 0.1 MAX. BOTH SIDES

RECOMMENDED PANEL CUT-OUT MOUNT

DWG TYPE SALES DRAWING	DRAWN e.e.	TOLERANCES: UNLESS OTHERWISE NOTED X.X ± 0.25 X.XX ± 0.10 ANGULAR ± 5°	DWG TITLE SNAP-IN 59 RED BUTTON							
STATUS RELEASE	REVIEW --		DWG NO. W59-900067							
This document is the intellectual property of ITW Electronic Business Asia Co., Limited and may contain confidential, proprietary, privileged information protected by law. Neither this document nor any information it contains can be reproduced, transformed to any other format, or distributed, without written permission by ITW Electronic Business Asia Co., Limited. 本文作為安泰維百電器股份有限公司之智慧財產，非經許可不得翻取、複製、轉變成其他形式使用或散佈。			THIRD ANGLE PROJECTION 		■ 管制文件 □ 非管制文件	Unit mm	SCALE 2 : 1	REV 1	RoHS Compliant	SHEET 1 OF 2
			DATE 2022.07.29	REF: --						

REVISION RECORD

REV	DESCRIPTION	DATE	DRAWN	DOCUMENT NO
1	RELEASE FOR PRODUCTION	2022.07.29	C.C.	DCN-202200062

DWG TYPE SALES DRAWING	DRAWN <i>c.c.</i>	TOLERANCES: UNLESS OTHERWISE NOTED X.X ± 0.25 X.XX ± 0.10 ANGULAR ± 5°	DWG TITLE SNAP-IN 59 RED BUTTON						
STATUS RELEASE	REVIEW --		DWG NO. W59-900067						
<small>This document is the intellectual property of ITW Electronic Business Asia Co., Limited and may contain confidential, proprietary, privileged information protected by law. Neither this document nor any information it contains can be reproduced, transformed to any other format, or distributed, without written permission by ITW Electronic Business Asia Co., Limited. 本文件為安天德百電股份有限公司之智權財產，非經許可不得翻印、複製、轉變成其他形式使用或散佈。</small>			DATE 2022.07.29	REF: --	<input checked="" type="checkbox"/> 管制文件 <input type="checkbox"/> 非管制文件	Unit mm		SCALE 2 : 1	REV 1