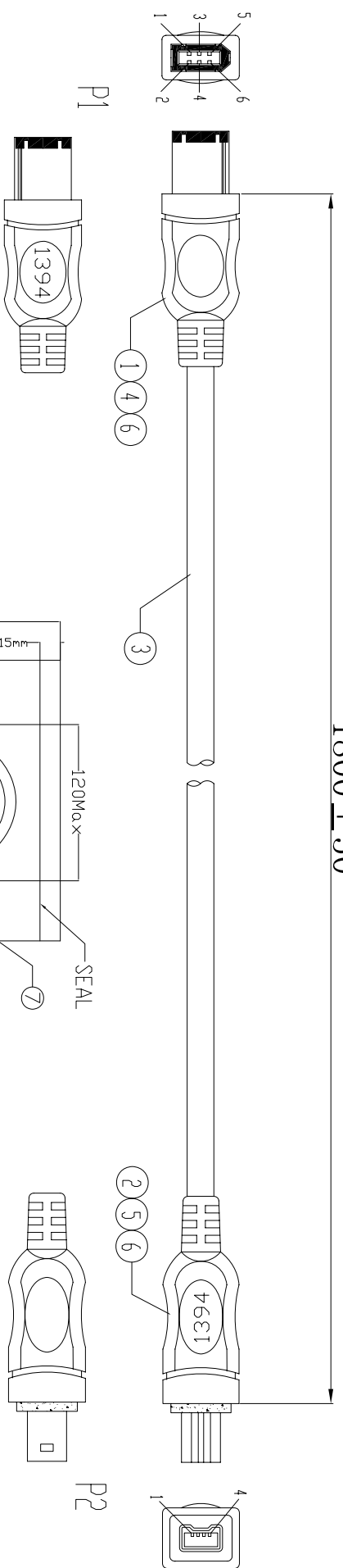
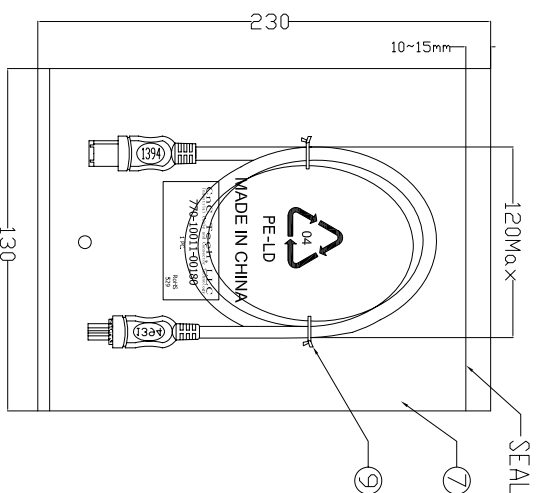
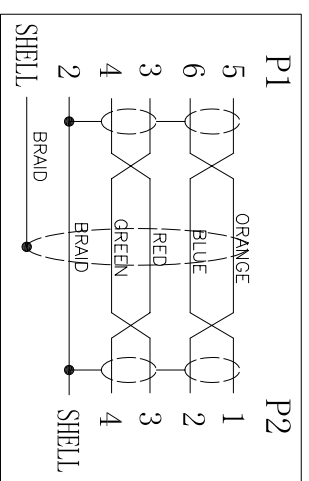


UNIT:MM

1800±50



PIN ASSIGNMENT



⑨	TIE	2	BLACK L=80mm
⑧	PE BAG	1/10	CLEAR SIZE: 280*330*0.05mm PRINT BLACK"MADE IN CHINA"+"10PCS"及印生产周期,有透气孔.
⑦	PE BAG	1	CLEAR SIZE: 130*230*0.05mm PRINT BLACK"MADE IN CHINA"+"1PC"及印生产周期,有透气孔.
⑥	TUBE	2	HEAT SHRINK TUBE BLACK OD1.5*10MM
⑤	OUT JACKET	4g	BLACK 40P PVC (MOULD NO.:WM-37)
④	OUT JACKET	5g	BLACK 40P PVC (MOULD NO.:WM-38)
③	CABLE	1	UL20276 (30AWG/1P+AB)*2C+AL/MY+B JACKET BLACK OD4.8mm L=1800+20/-0mm
②	CONN	1	IEEE 1394 4P MALE PIN G/F INSULATION BLACK SHIELD NICKEL PLATED
①	CONN	1	IEEE 1394 6P MALE PIN G/F INSULATION BLACK SHIELD NICKEL PLATED
NO.	NAME	QTY	SPECIFICATION

CNC Tech, LLC
Industrial Cable and Connector Technology

DRAWN BY	ZHONGHS	DRAWING NO.	
CHECKED BY		CUSTOMER	
APPROVAL BY		ITEM NO.	770-10011-00180
DECIDE BY		DATE	2012-02-06
VERSIONS/EDITION	A/0	PROJECTION	