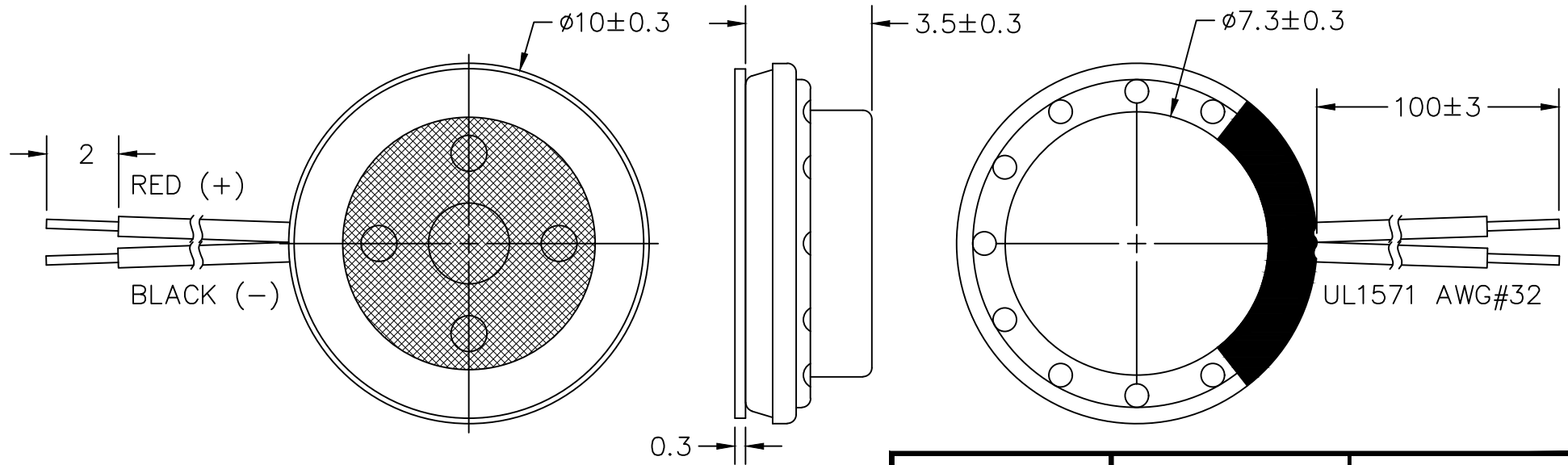


THIS DOCUMENT CONTAINS DATA PROPRIETARY TO PROJECTS UNLIMITED, INC. ANY USE OR REPRODUCTION, IN ANY FORM, WITHOUT PRIOR WRITTEN PERMISSION OF PROJECTS UNLIMITED, INC. IS PROHIBITED.  
© 2005, Projects Unlimited Inc.

### SPECIFICATIONS

PARAMETERS	VALUES	UNITS
RATED INPUT POWER	0.5	W
MAX INPUT POWER	0.7	W
IMPEDANCE	8±15%	OHM
OUTPUT SPL @ 0.1W/0.1M (AT 2.0, 2.2, 2.4, 2.8 kHz)	82±3	dB
DISTORTION (MAX.)	8%	-
RESONANT FREQUENCY	1,500±20%	Hz
FREQUENCY RANGE	1,500 ~ 6,000	Hz
HOUSING MATERIAL	METAL	-
CONE MATERIAL	PET FILM	-
MAGNET MATERIAL	Nd-Fe-B	-
OPERATING TEMPERATURE	-20 ~ +60	°C
WEIGHT	0.6	grams


REVISIONS			
LTR	DESCRIPTION	DATE	APPROVED
-	RELEASED FROM ENGINEERING	2/23/11	



NOTES:

- ALL DIMENSIONS ARE IN MILLIMETERS.
- SPECIFICATION SUBJECT TO CHANGE OR WITHDRAWAL WITHOUT NOTICE.
- THIS PART IS RoHS 2002/95/EC COMPLIANT.

FILE NAME  
ADS01008MR-LW100-R.DWG

UNLESS OTHERWISE SPECIFIED: DIMENSIONS ARE IN MILLIMETERS, TOLERANCES ARE $\pm 0.5$ AND ANGLES ARE $\pm 3^\circ$ .				3541 Stop Eight Road Dayton, Ohio 45414	
APPROVALS		DATE		<h2>SPEAKER</h2>	
DRAWN	J.D.	2/11			
CHECKED	M.L.	2/11			
APPROVED		2/11		SIZE	A
				DRAWING NO. ADS01008MR-LW100-R	
				SCALE: N.T.S.	
				SHEET 1 OF 1	