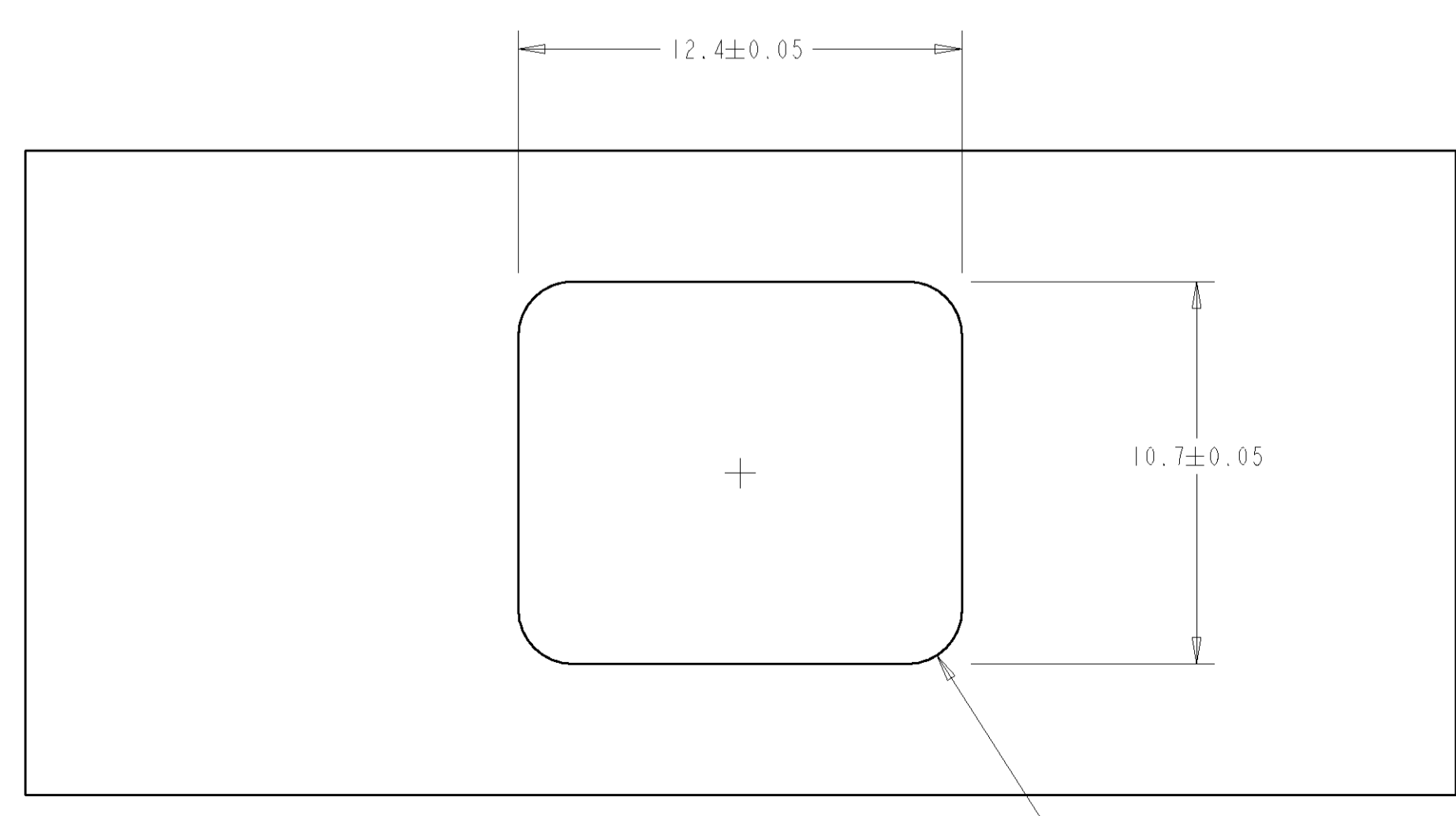
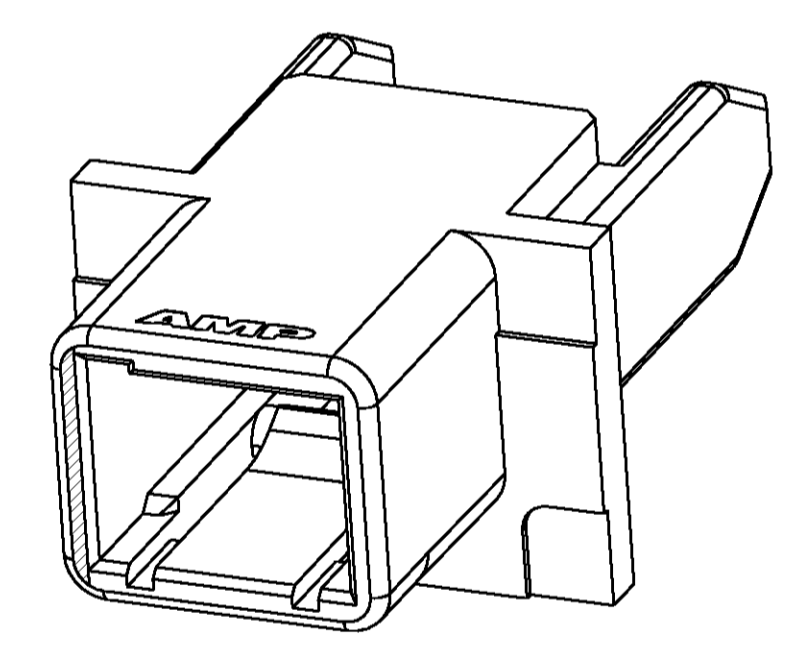
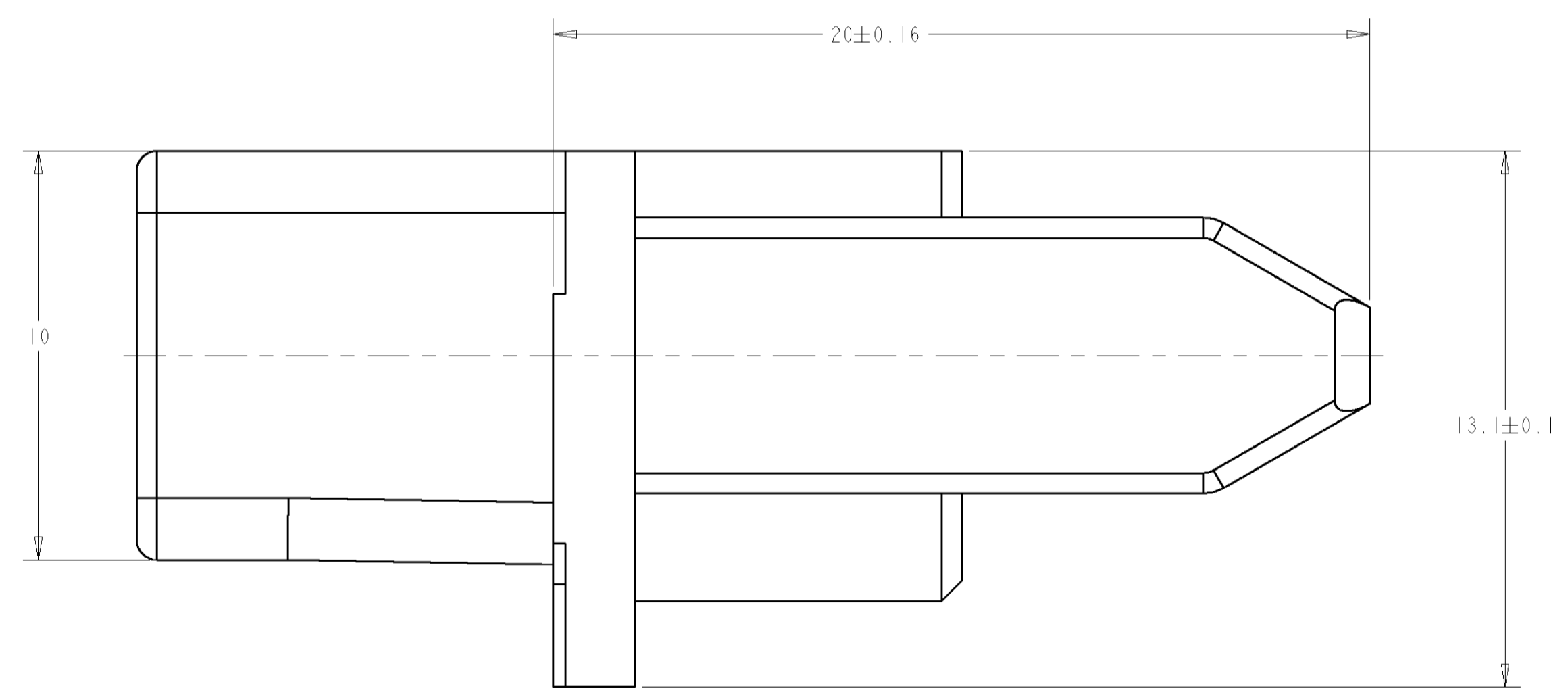
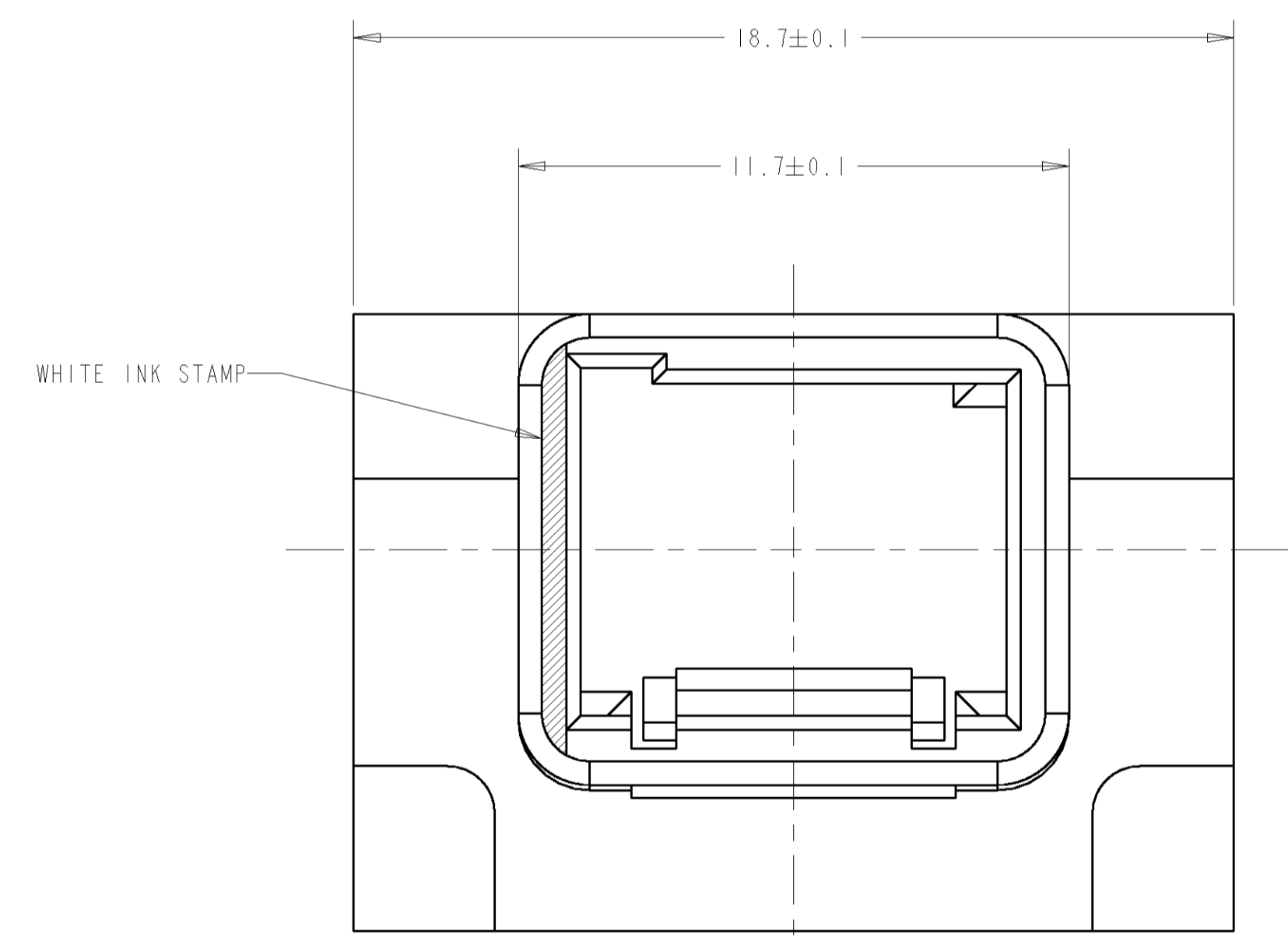
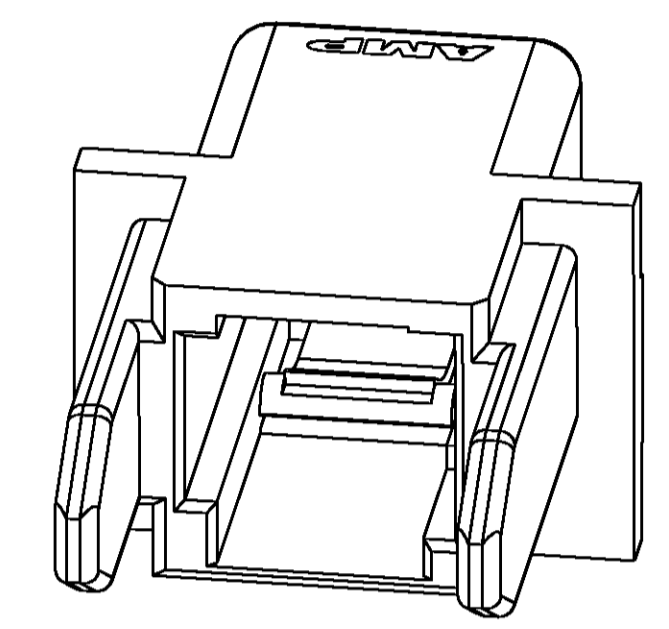
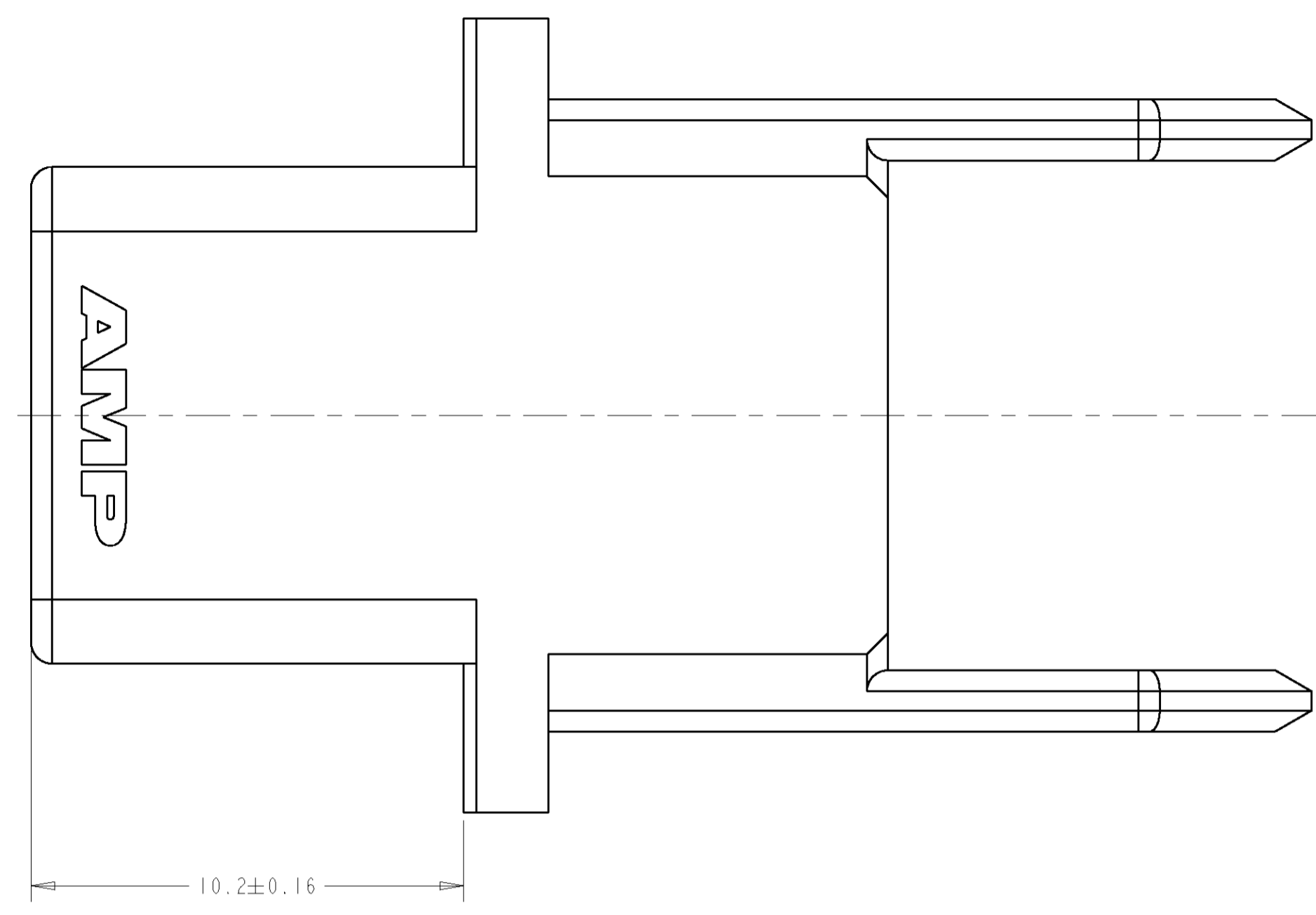


LOC	DIST	REVISIONS			
		REV	DATE	BY	CHKD
CE	16	0	13JAN98	TG	LB
		A	09OCT01	EB	AP



NOTES:
 1 MATERIAL: VALOX 420SE0, UL 94 V-0, COLOR: BLACK
 2 HOUSING DESIGNED TO BE INSTALLED WITH RETENTION CLIP P/N 492740-2, USING SEATING TOOL, P/N 1374662-2 OR 1278315-1, AND MOTHER BOARD SUPPORT, P/N 492493-1. REFER TO INSTRUCTION SHEET 408-8331.

492739-1
 PART NUMBER

<small>THIS DRAWING IS A CONTROLLED DOCUMENT FOR AMP INCORPORATED. ALL CHANGES TO THIS DRAWING ARE CONTROLLED BY THE ORGANIZATION. SHOULD BE CONTACTED FOR THE LATEST REVISION.</small>		DWN: T.GREEN 08JAN98 ENW: L.BARKUS 13JAN98 APVD: L.BARKUS 13JAN98	NAME: AMP Incorporated ADDRESS: Harrisburg, PA 17105-3608
DIMENSIONS: mm TOLERANCES UNLESS OTHERWISE SPECIFIED: 0 PLC ± 1 PLC ±0.3 2 PLC ±0.10 3 PLC ±0.001 4 PLC ±0.0001 ANGLES ±1°	PRODUCT SPEC: - APPLICATION SPEC: - WEIGHT: - FINISH: -	PRODUCT SPEC: - APPLICATION SPEC: - WEIGHT: - FINISH: -	NAME: HOUSING, MOTHERBOARD, SINGLE POSITION BACKPLANE SIZE: A CAGE CODE: 00779 DRAWING NO: 492739 RESTRICTED TO: -
MATERIAL:		CUSTOMER DRAWING	SCALE: 8:1 SHEET 1 OF 1 REV A