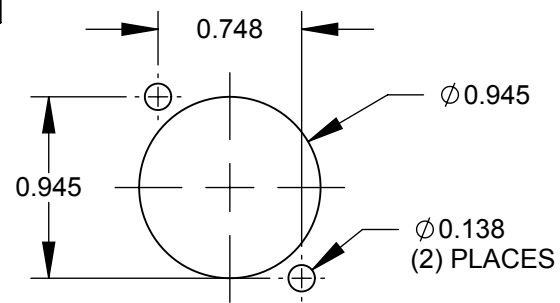
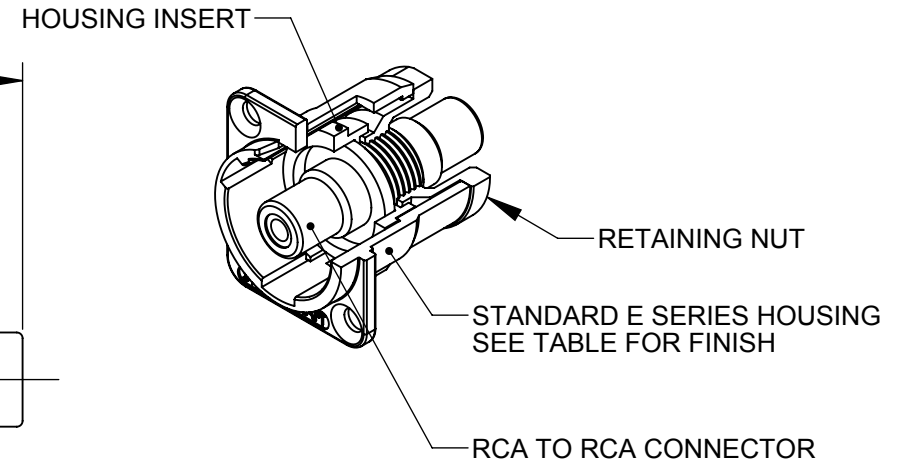
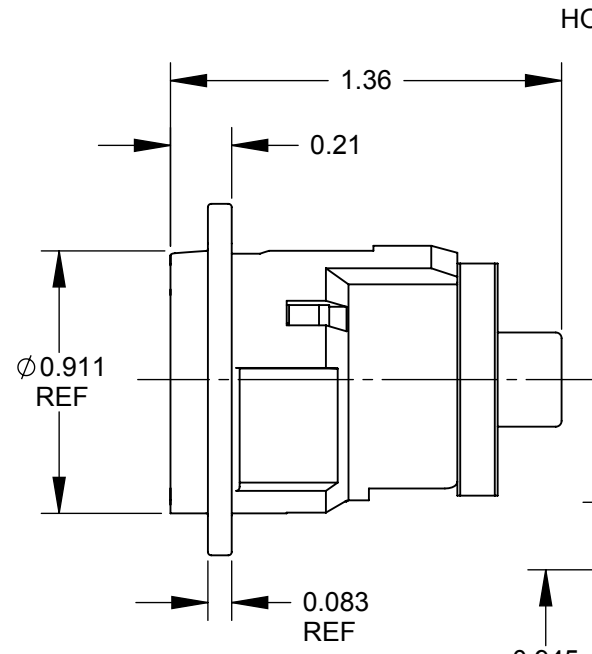


✓ $\varnothing 0.138$ THRU
 $\varnothing 0.230 \times 82^\circ$
 (2) PLACES REF



RECOMMENDED
 PANEL CUT-OUT

PART NUMBER	HOUSING FINISH
EHRCA2X	NICKEL
EHRCA2BX	BLACK CHROME

NOTES:

- MATERIALS:
 HOUSING - ZINC ALLOY
 HOUSING INSERT - THERMOPLASTIC, BLACK
 RETAINING NUT - THERMOPLASTIC, BLACK
 RCA CONNECTOR - COPPER ALLOY, NICKEL PLATED
- THIS PRODUCT IS RoHS COMPLIANT.

CUSTOMER DRAWING

					THIS DRAWING DESCRIBES A DESIGN CONSIDERED PROPRIETARY IN NATURE, DEVELOPED AND MANUFACTURED BY SWITCHCRAFT INC. AND IS RELEASED ON A CONFIDENTIAL BASIS FOR IDENTIFICATION PURPOSES ONLY.				
					SIZE	WIDTH	MULT	LBS/M	TEMPER
					UNLESS OTHERWISE SPECIFIED			FINISH	
					1. ALL DIMENSIONS IN INCHES			MATERIAL	
					- TWO PLACE DECIMALS ± 0.02			SPEC No.	
					- THREE PLACE DECIMALS ± 0.005			FIRST USED ON	
								SCALE 1.5:1	
B	26415	7/17/09	RS	TJK	DATE DRAWN	BY	CHKD	APVD	Switchcraft [®]
A	26104	8/31/06	RF	TJK	8/31/06	RF	RF	8/31/06	
REVISIONS					SHEET 1 OF 1				
DO NOT SCALE DRAWING					NAME E SERIES CONNECTOR, RCA, FEEDTHROUGH, RoHS				
					PART No. EHRCA2_X SERIES				REV B