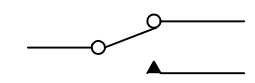
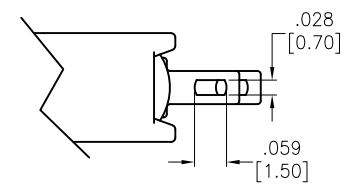
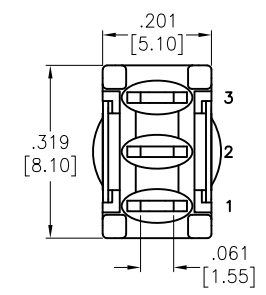
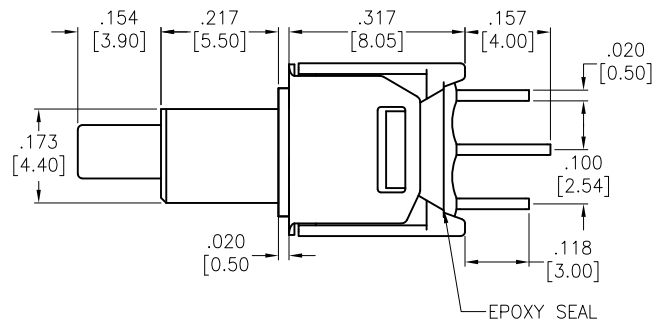
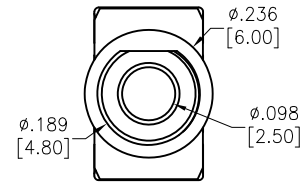


Rev	AWO #	Description	Date	Appr
-		RELEASED	3/9/21	

APPROVED: _____
 DATE: _____ TITLE: _____



CIRCUIT DIAGRAM
 (SPDT) ON-MOMENTARY

SPECIFICATIONS:

Material:
 Movable Contact: Copper Alloy, Silver Plated
 Terminal: Copper Alloy, Silver Plated
 Electrical:
 Rating: 1 Amps with resistive load @ 125VAC or 28VDC
 Contact resistance: 20 mΩ max
 Insulation resistance: 1,000 Mohms min
 Dielectric withstanding voltage: 1,500V RMS @Sea level
 Temperature Rating:
 Operating temperature: -30°C to +85°C
 Environmental:
 Lead free, RoHS compliant



UNLESS OTHERWISE SPECIFIED ALL DIMENSIONS ARE INCHES [MM] TOLERANCES: EXCEPT AS NOTED		
INCHES		HOLES
.X ± .10	Ø.X ± .10	
.XX ± .020	Ø.XX ± .015	
.XXX ± .015	Ø.XXX ± .010	
APPROVALS		DATE
DRAWN	WX	3/9/21
CHECKED	AC	3/9/21
APPROVED		

ADAM TECH 909 Rahway Avenue,
 Union, NJ 07083
 Phone: 908-687-5000
 Fax: 908-687-5710

TITLE
 SUB-MINIATURE PUSHBUTTON SWITCH, ON-MOMENTARY,
 SPDT, SILVER PLATED, SOLDER TYPE

SIZE X	PART NO. SW-PB9-AB00AQE-5	REV. -
REF: S00198T	SCALE: NTS	SHEET 1 OF 1

6

5

4

3

2

1

6

5

4

3

2

1

D

D

C

C

B

B

A

A