

# SPECIFICATIONS

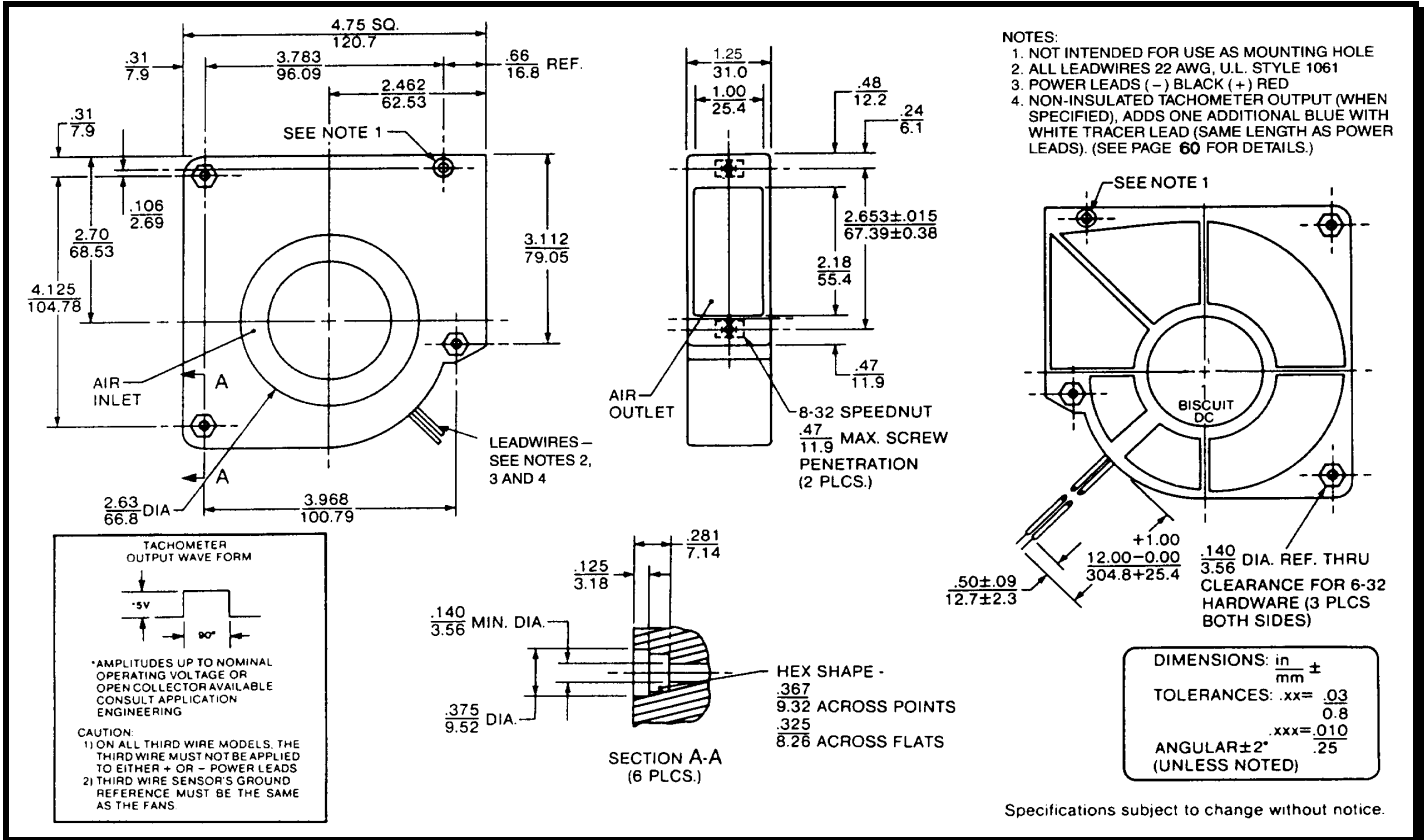
(RoHS Compliant)



Model Number: BD24B3  
Part Number: 19030621A

Drawing Number: 26021647A02  
Jan.25.2013

## Mechanical Drawing:



### Motor:

Nominal Voltage = 24 vdc  
Operating Voltage Range = 12 - 28 vdc  
Nominal Running Current = 0.48 amps  
Locked Rotor Current = 0.95 amps  
Running Power = 11.5 watts  
Average Speed = 3100 rpm  
Bearings = Ball  
Air Flow = 26 cfm  
Acoustic = 51.2 dBA

### Construction:

Venturi: Plastic, Black, UL 94V-0  
Propeller: Plastic, Black, UL 94V-0

### Life Expectancy:

This fan is designed for continuous duty life of 78,000 hours at 40°C.

### Additional Features:

Brushless DC Motor  
Polarity Protected  
Locked Rotor Protection  
Automatic Restart Capability  
Operating Temperature: -10°C to 70°C  
Storage Temperature: -40°C to 85°C

### Termination:

12" Lead wires, AWG 22, UL 1061  
Red = Power (+)  
Black = Ground (-)

### Agency Certifications:

UL, CE