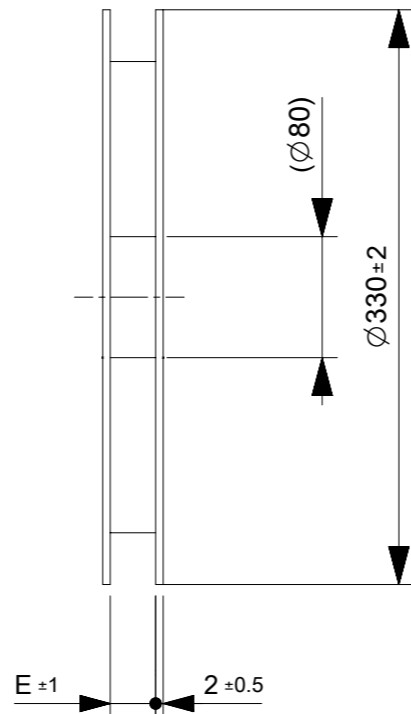
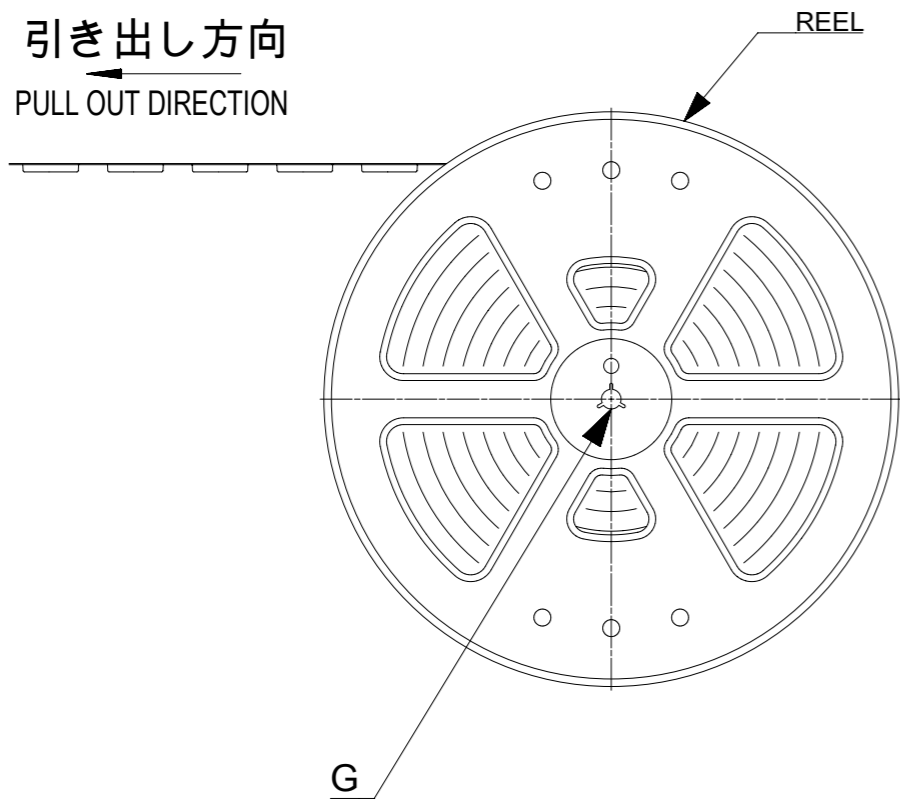
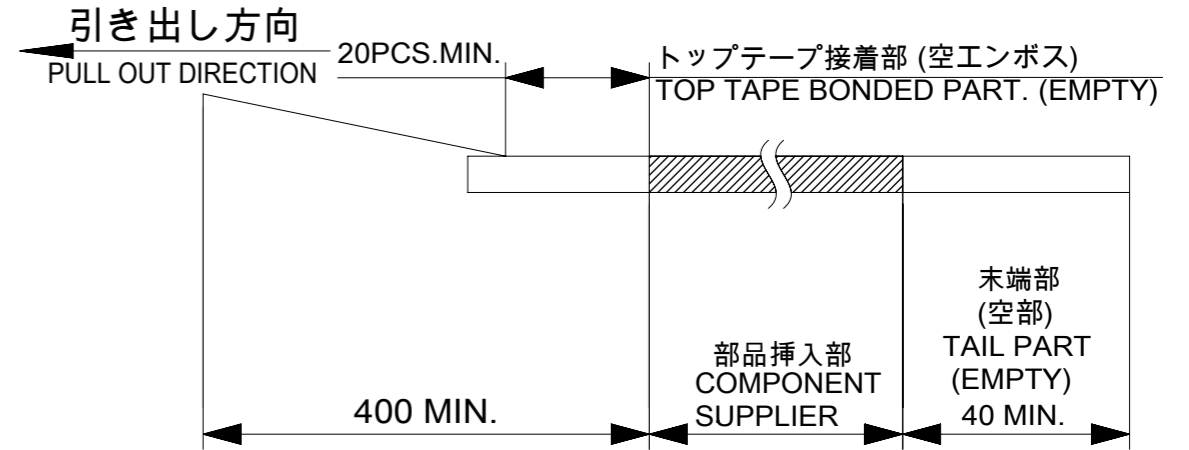


引き出し方向
PULL OUT DIRECTION

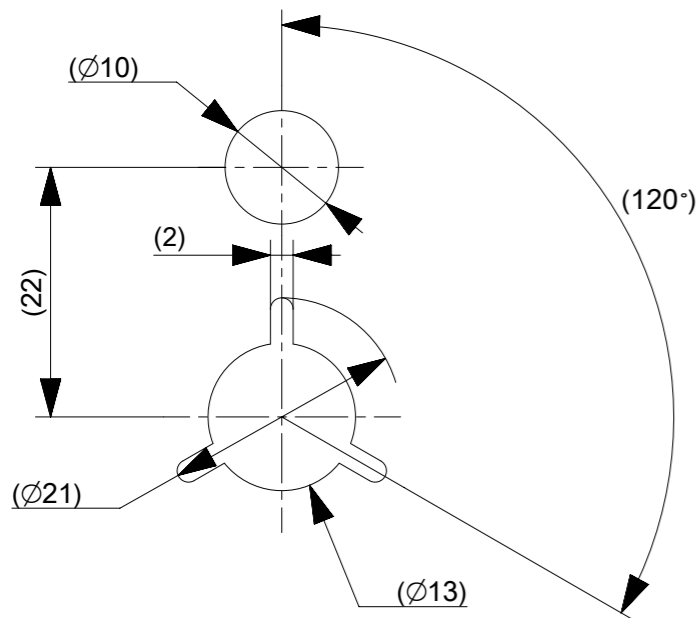


NOTES

- 54132**22 のアクチュエータはハウジング内に押し下げた状態とする。
詳細寸法については図面 54132100(Doc. Part No.: 000) をご参照下さい。
ACTUATOR OF PART NO. 54132**22 SHOULD BE LOCKED .
BE DETAILED DIMENSIONS, SEE 54132100(Doc. Part No.: 000)
- 梱包数量 : 1500個 / リール
NUMBER OF CONNECTORS : 1500 PCS/REEL.
- リードテープ長さ LEAD TAPE LENGTH.

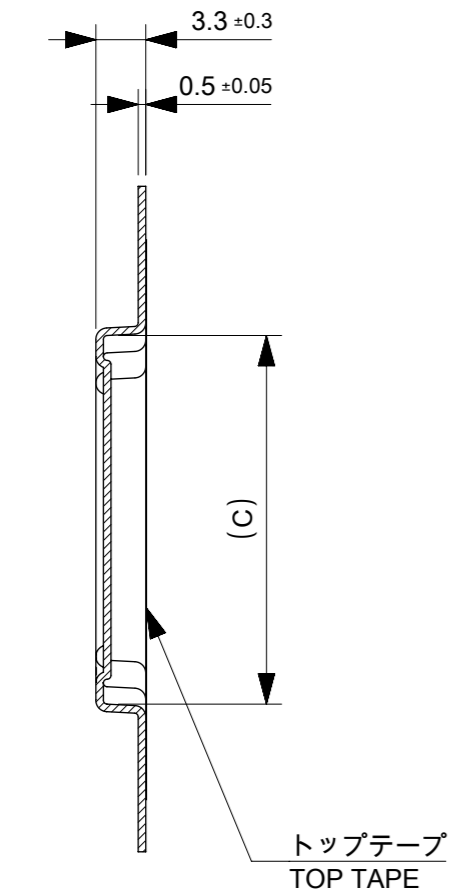


- カバーテープの剥離強度については、IEC60286-3に準拠
COVER TAPE PEEL FORCE IS DEDFINED BY IEC 60286-3
- 材料 (MATERIAL)
キャリアテープ (CARRIER TAPE) : ポリスチレン(PS) (POLYSTYRENE)
トップテープ (TOP TAPE) : PS
リール (REEL) : ポリスチレン (POLYSTYLENE)
- ELV及びRoHS適合品
ELV AND RoHS COMPLIANT.

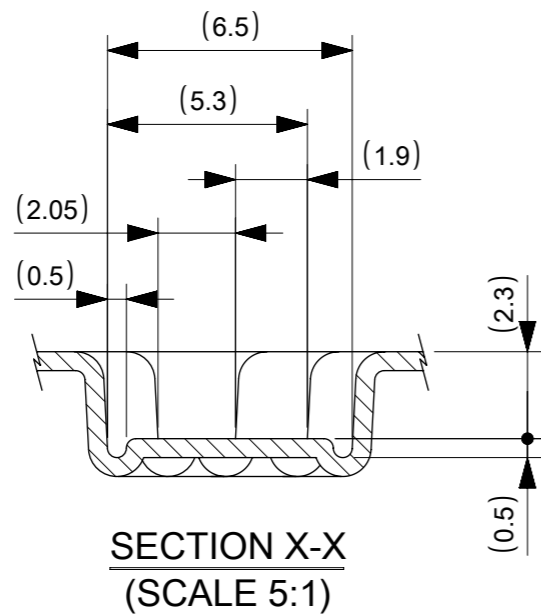
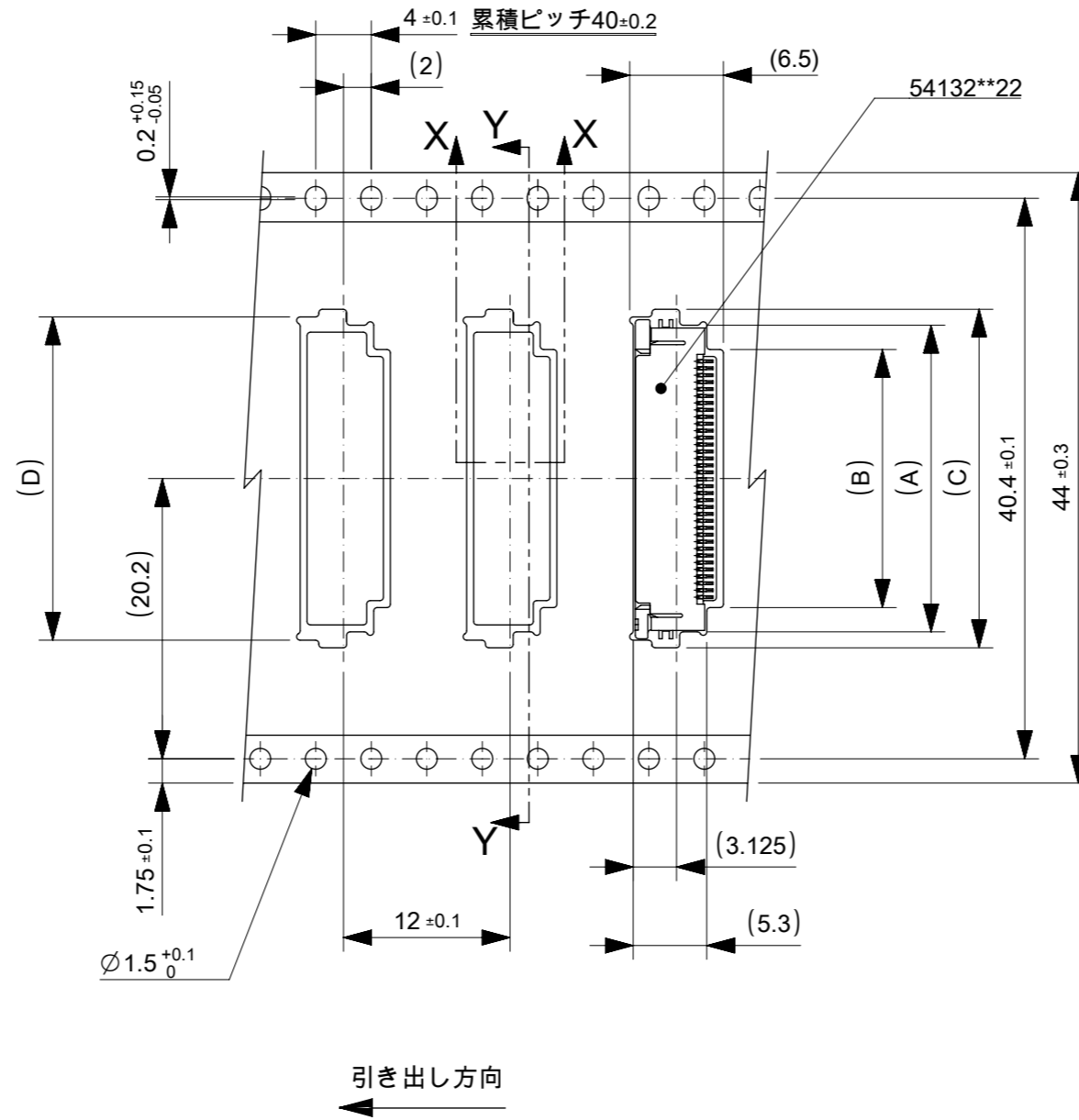


DETAIL G

THIS DRAWING CONTAINS INFORMATION THAT IS PROPRIETARY TO MOLEX ELECTRONIC TECHNOLOGIES, LLC AND SHOULD NOT BE USED WITHOUT WRITTEN PERMISSION									
DIMENSION UNITS	SCALE	CURRENT REV DESC: REMOVED OBSOLETE PART NUMBER AS PER PCN#512672.							
mm	1:1								
GENERAL TOLERANCES (UNLESS SPECIFIED)					EMBOSSSED TAPE PACKAGED FOR 0.5MM FPC CONN ZIF R/A HOUSING ASSY				
ANGULAR TOL ± °					PRODUCT CUSTOMER DRAWING				
4 PLACES	±	EC NO: 724799			DOCUMENT NUMBER				
3 PLACES	±	DRWN: SANTHN	2022/10/25		541320000				
2 PLACES	±	CHK'D: GGA	2022/11/03		PSD 000 A1				
1 PLACE	±	APPR: GGA	2022/11/03		REVISION				
0 PLACES	±	INITIAL REVISION:			SHEET NUMBER				
DRAFT WHERE APPLICABLE MUST REMAIN WITHIN DIMENSIONS		DRWN: NVELUSAMY	2016/02/18		SEE CHART				
THIRD ANGLE PROJECTION		APPR: TKUSUHARA01	2016/05/24		GENERAL				
DRAWING		SERIES			1 OF 2				
A3-SIZE		54132							



SECTION Y-Y

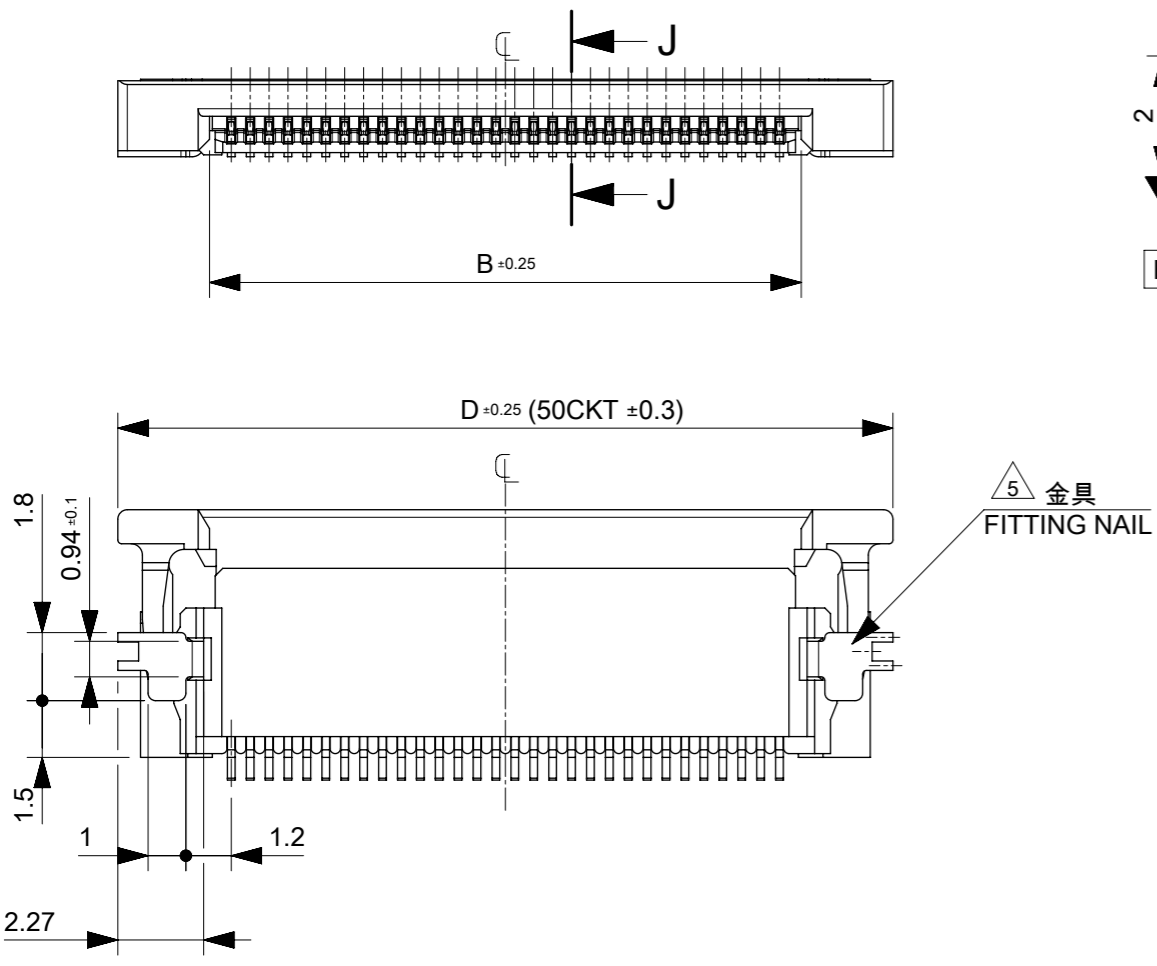
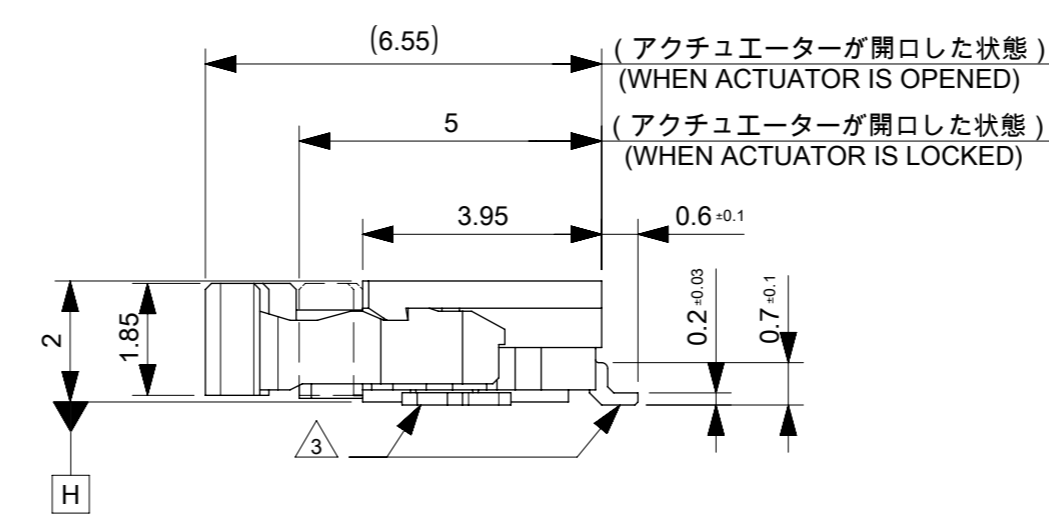
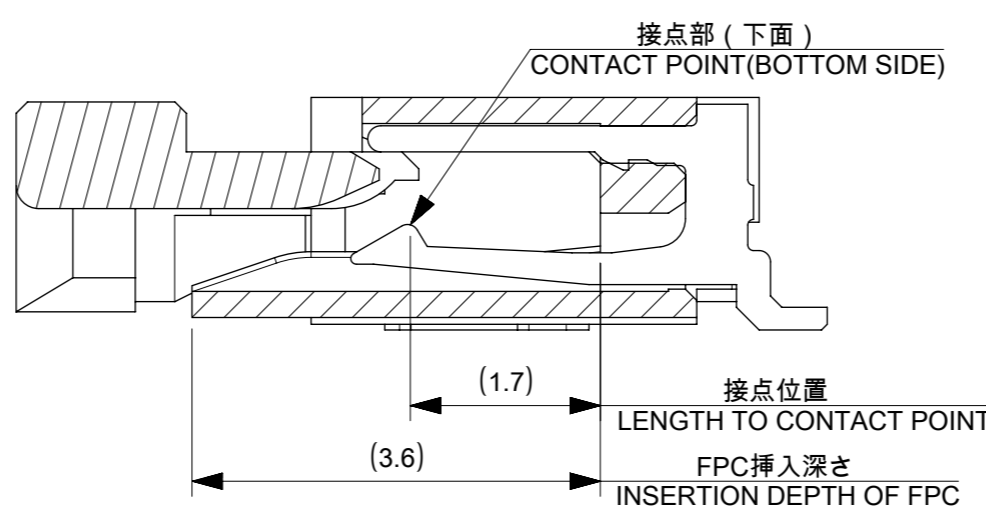
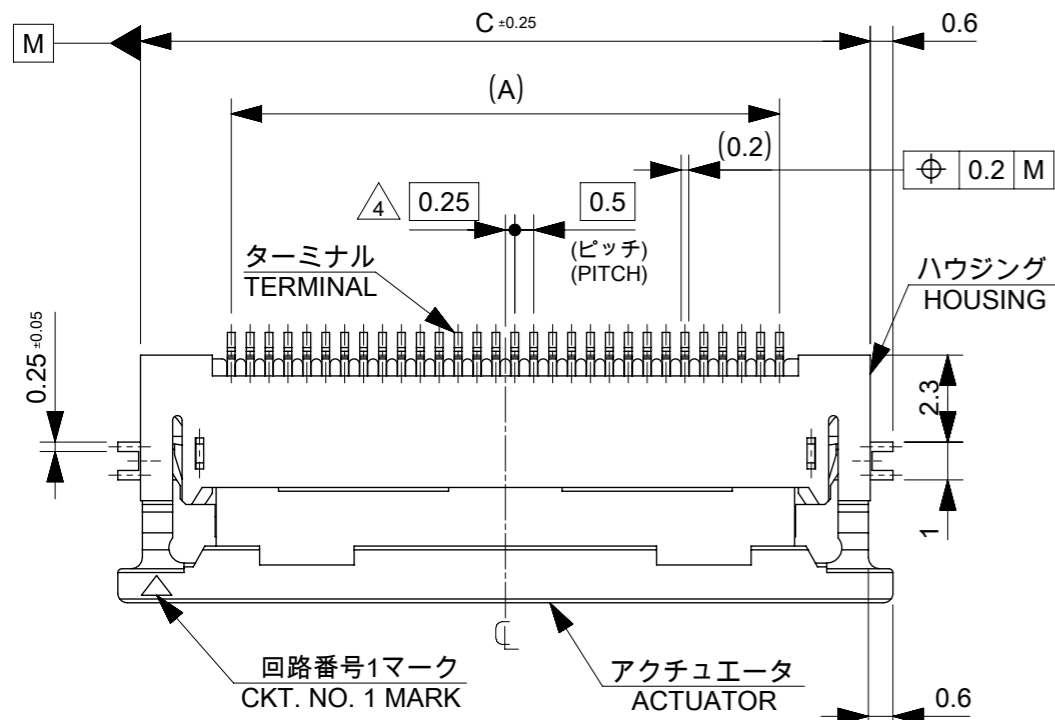


SECTION X-X
(SCALE 5:1)

44	45.5	30.8	31.9	26.1	29.6	541325033	50	
		28.3	29.4	23.6	27.1	541324533	45	
		27.3	28.4	22.6	26.1	541324333	43	
		25.8	26.9	21.1	24.6	541324033	40	
		23.8	24.9	19.1	22.6	541323633	36	
		23.3	24.4	18.6	22.1	541323533	35	
		22.8	23.9	18.1	21.6	541323433	34	
		22.3	23.4	17.6	21.1	541323333	33	
		21.8	22.9	17.1	20.6	541323233	32	
		20.8	21.9	16.1	19.6	541323033	30	
キャリアテープ幅 CARRIER TAPE WIDTH		E	D	C	B	A	MATERIAL NO.	CKT.

THIS DRAWING CONTAINS INFORMATION THAT IS PROPRIETARY TO MOLEX ELECTRONIC TECHNOLOGIES, LLC AND SHOULD NOT BE USED WITHOUT WRITTEN PERMISSION

DIMENSION UNITS	SCALE	CURRENT REV DESC: REMOVED OBSOLETE PART NUMBER AS PER PCN#512672.		molex			
mm	1:1						
GENERAL TOLERANCES (UNLESS SPECIFIED)				EMBOSSSED TAPE PACKAGED FOR 0.5MM FPC CONN ZIF R/A HOUSING ASSY			
ANGULAR TOL	± °			PRODUCT CUSTOMER DRAWING			
4 PLACES	±	EC NO: 724799		DOCUMENT NUMBER			
3 PLACES	±	DRWN: SANTHN	2022/10/25	DOC TYPE			
2 PLACES	±	CHK'D: GGA	2022/11/03	DOC PART			
1 PLACE	±	APPR: GGA	2022/11/03	REVISION			
0 PLACES	±	INITIAL REVISION:		541320000			
DRAFT WHERE APPLICABLE MUST REMAIN WITHIN DIMENSIONS		DRWN: NVELUSAMY	2016/02/18	SEE CHART		GENERAL	
THIRD ANGLE PROJECTION		APPR: TKUSUHARA01	2016/05/24	SERIES		SHEET NUMBER	
A3-SIZE		54132		CUSTOMER		2 OF 2	



注記 NOTES

- 材質 MATERIAL
 ハウジング: ポリアミド(PA)、ガラス充填、ナチュラル (白)、UL94V-0
 HOUSING: POLYAMIDE, GLASS FILLED, NATURAL, UL94V-0
 アクチュエータ: ポニフェニレンサルファロイド (PPS)、
 ガラス充填、黒色、UL94V-0
 ACTUATOR: POLYPHENYLENE SULFIDE
 GLASS FILLED, BLACK, UL94V-0
 ターミナル: リン青銅 ($t=0.2$)
 TERMINAL: PHOSPHOR BRONZE ($t=0.2$)
 金具: リン青銅 ($t=0.2$)
 NAIL: PHOSPHOR BRONZE ($t=0.2$)
 - めっき仕様 PLATING
 ターミナル TERMINAL
 錫銀ビスマスめっき ($1.0\mu\text{m}$ 以上)
 下地: ニッケルめっき ($1.0\mu\text{m}$ 以上)
 TIN SILVER BISMUTH PLATING (1.0 MICROMETER MINIMUM)
 UNDER PLATE: NICKEL PLATING (1.0 MICROMETER MINIMUM)
 金具
 錫めっき ($1.0\mu\text{m}$ 以上)
 下地: ニッケルめっき ($1.0\mu\text{m}$ 以上)
 TIN PLATING (1.0 MICROMETER MINIMUM)
 UNDER PLATE: NICKEL PLATING (1.0 MICROMETER MINIMUM)
- △3 ソルダータール半田付け面のズレ量、及び金具半田付け面のズレ量は基準面 (H) に対して上方向 0.1 MAXIMUM、下方向 0.15 MAXIMUMとする。
 MISALIGNMENT OF SOLDER TAILS AND FITTING NAILS FROM (H)
 UPPER DIRECTION: 0.1 MAXIMUM
 LOWER DIRECTION: 0.15 MAXIMUM.
- △4 偶数極に適用
 APPLY FOR EVEN CIRCUIT.
- △5 パターンはくり止め用金具
 FITTING NAIL FOR PREVENTION OF PEELING OF P.C.B. PATTERN.
- △6 R0.3はFPCの導体にかからないこと
 R0.3 MUST NOT BE OVERLAPED TO PATTERN OF FPC.
7. エンボステーブ梱包時は、アクチュエータがロックした状態とする
 IN THE PACKAGE, ACTUATOR SHOULD BE LOCKED.
8. ELV及びRoHS適合品
 ELV AND RoHS COMPLIANT.

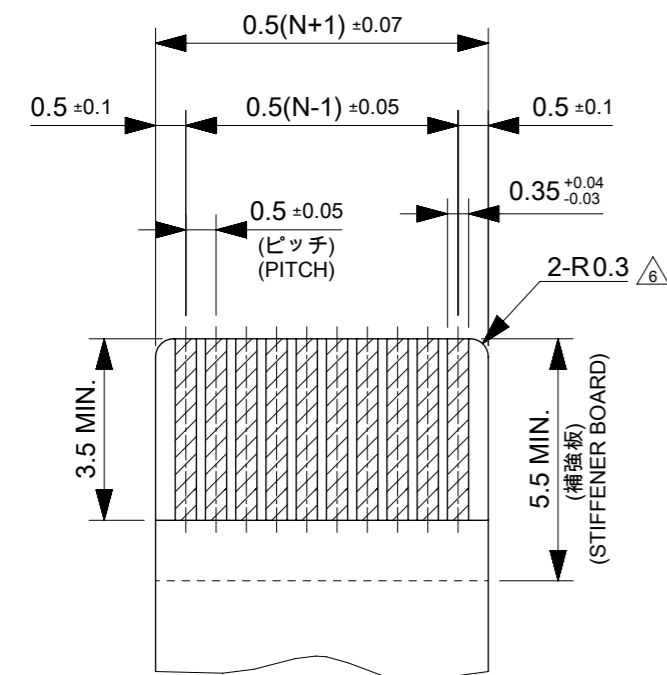
30.5	29.3	25.65	24.5	541325033	50
28.0	26.8	23.15	22.0	541324533	45
27.0	25.8	22.15	21.0	541324333	43
25.5	24.3	20.65	19.5	541324033	40
23.5	22.3	18.65	17.5	541323633	36
23.0	21.8	18.15	17.0	541323533	35
22.5	21.3	17.65	16.5	541323433	34
22.0	20.8	17.15	16.0	541323333	33
21.5	20.3	16.65	15.5	541323233	32
20.5	19.3	15.65	14.5	541323033	30
D	C	B	A	EMBOSSED PACKAGE	極数
オーダー番号 ORDER No.					CKT.

CONNECTOR SERIES NO. : 54132**22

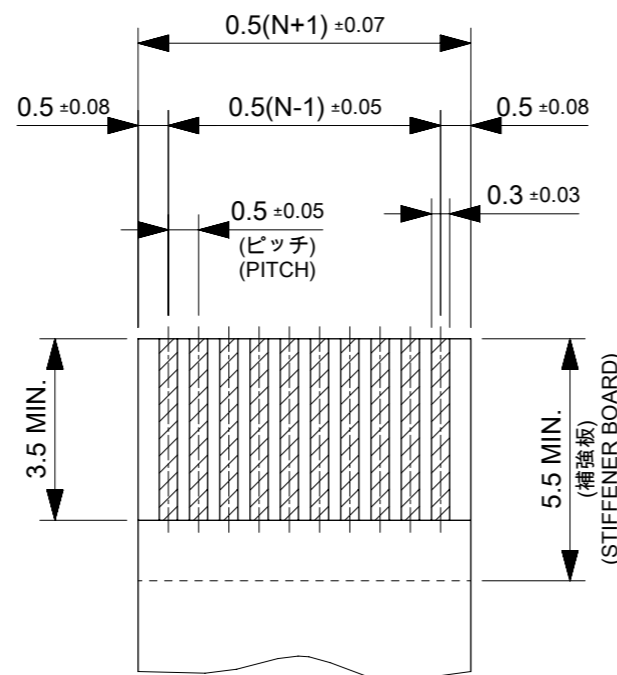
THIS DRAWING CONTAINS INFORMATION THAT IS PROPRIETARY TO MOLEX ELECTRONIC TECHNOLOGIES, LLC AND SHOULD NOT BE USED WITHOUT WRITTEN PERMISSION

DIMENSION UNITS	SCALE	CURRENT REV DESC: REMOVED OBSOLETE PART NUMBER AS PER PCN#512672.	molex		
mm	5:1				
GENERAL TOLERANCES (UNLESS SPECIFIED)			0.5MM FPC CONN ZIF R/A HOUSING ASSY (LOWER CONTACT)		
ANGULAR TOL	$\pm 3.0^\circ$		PRODUCT CUSTOMER DRAWING		
4 PLACES	\pm	EC NO: 724799	DOCUMENT NUMBER		
3 PLACES	\pm	DRWN: SANTHN 2022/10/26	DOC TYPE		
2 PLACES	± 0.2	CHK'D: GGA 2022/11/03	DOC PART		
1 PLACE	± 0.2	APPR: GGA 2022/11/03	REVISION		
0 PLACES	± 0.2	INITIAL REVISION:	541321000		
		DRWN: ABABU01 2016/02/18	PSD		
		APPR: TKUSUHARA01 2016/05/24	000		
DRAFT WHERE APPLICABLE MUST REMAIN WITHIN DIMENSIONS	THIRD ANGLE PROJECTION	DRAWING	SERIES	MATERIAL NUMBER	CUSTOMER
		A3-SIZE	54132	SEE TABLE	GENERAL

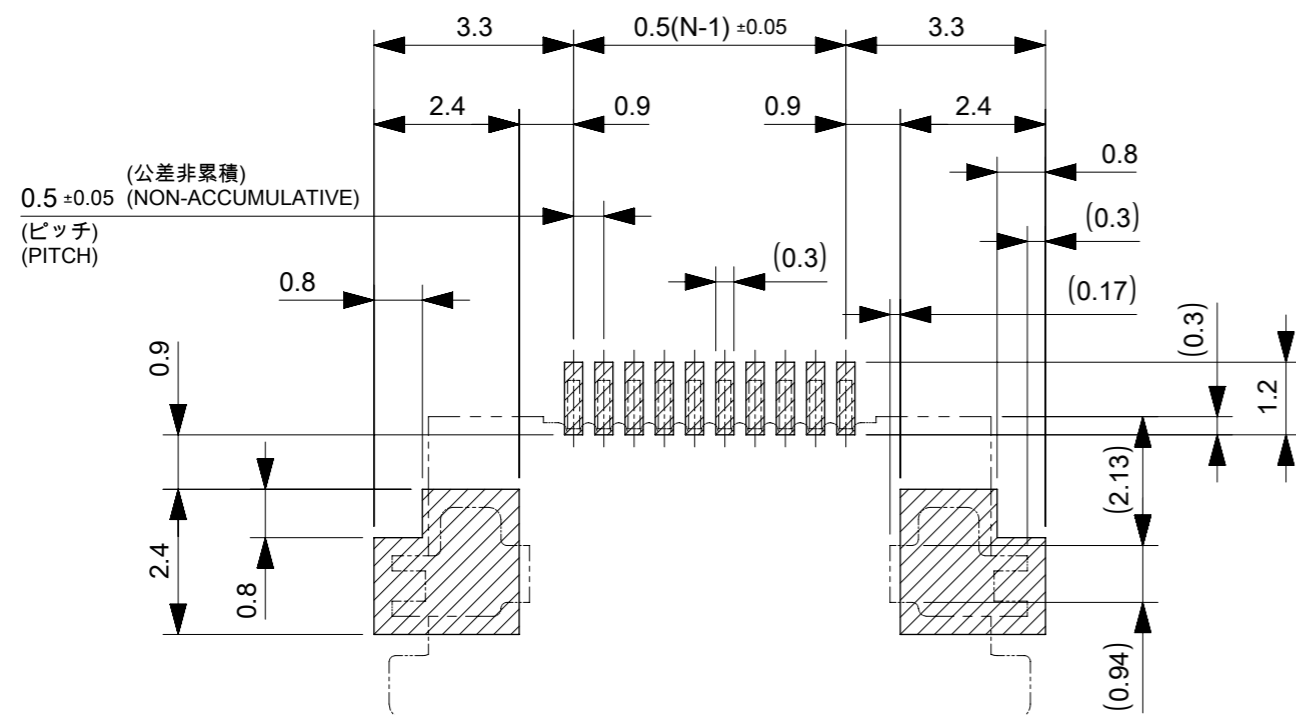
SHEET NUMBER: 1 OF 2



適合 FPC 推奨寸法
APPLICABLE FPC RECOMMENDED DIMENSION
 (仕上がり厚さ : 0.3±0.03)
 (THICKNESS : 0.3±0.03)

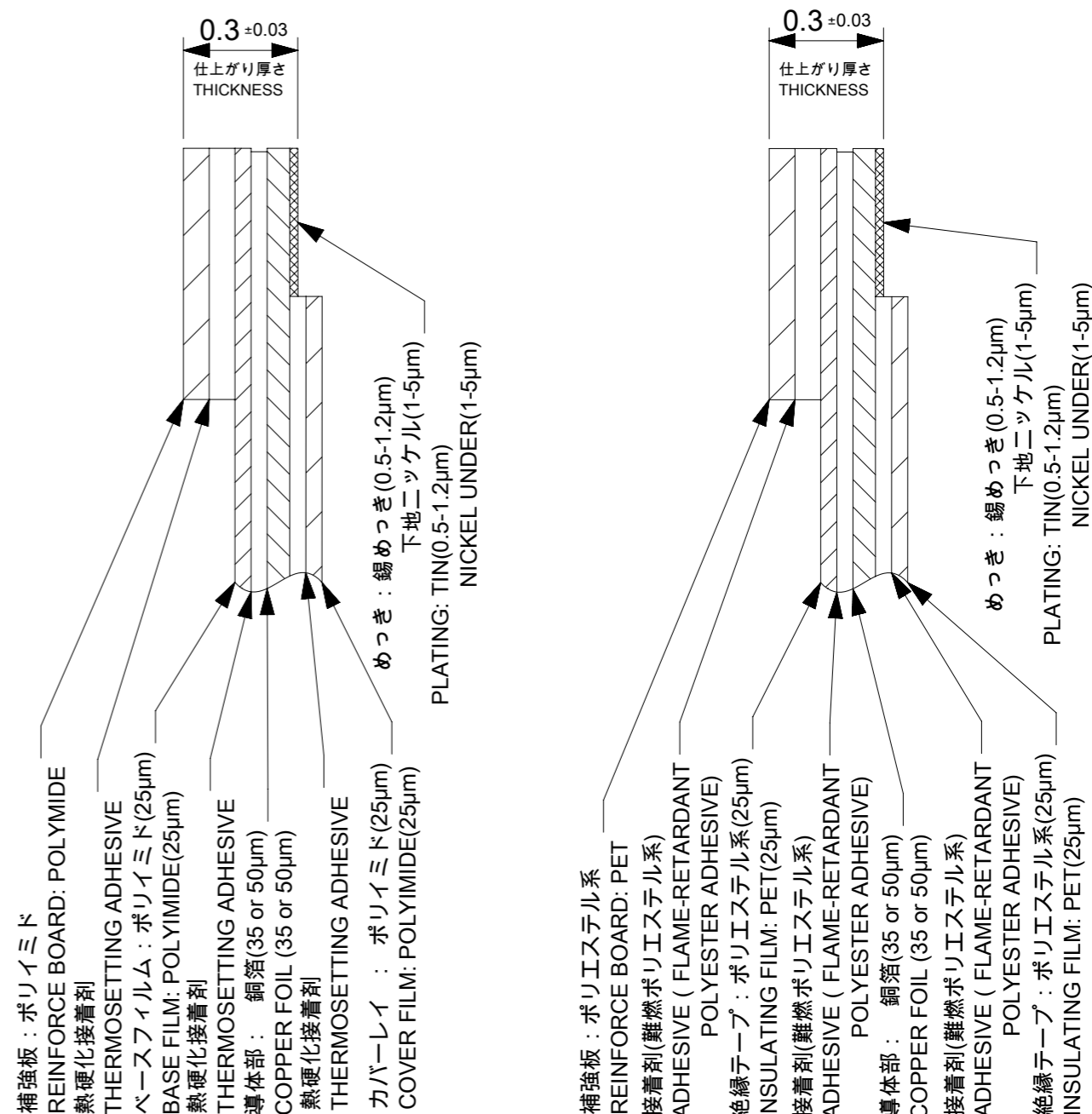


適合 FFC 推奨寸法
APPLICABLE FFC RECOMMENDED DIMENSION
 (仕上がり厚さ : 0.3±0.03)
 (THICKNESS : 0.3±0.03)



推奨基板レイアウト
RECOMMENDED PCB BOARD PATTERN DIMENSION (REF.)
 (マウント面)
 (MOUNTING SIDE)

マスク厚 : 100µm
 マスク開口率 : 100%
 SCREEN THICKNESS : 100 MICROMETER
 SCREEN OPEN RATIO : 100%



FPC構成推奨仕様
RECOMMENDED STRUCTURE OF FPC

FFC構成推奨仕様
RECOMMENDED STRUCTURE OF FFC

FPC/FFCについて:
 抜き方向は、導体側から補強板側を推奨致します。
 尚、接着剤の接点部への付着は導通不良の原因になりますので、
 染み出しが無い様お願い致します。

ABOUT FPC/FFC:
RECOMMENDED PUNCHER DIRECTION:
 FROM CONDUCTOR SIDE TO STIFFNER SIDE
 PLEASE PUT APPROPRIATE AMOUNT OF ADHESIVE ON ADHEREND
 BECAUSE THERE IS A POSSIBILITY THAT THE EXTRA ADHESIVE
 CAUSES THE DEFECT IN ELECTRICAL CONTINUITY.

THIS DRAWING CONTAINS INFORMATION THAT IS PROPRIETARY TO MOLEX ELECTRONIC TECHNOLOGIES, LLC AND SHOULD NOT BE USED WITHOUT WRITTEN PERMISSION									
DIMENSION UNITS mm		SCALE 4:1		CURRENT REV DESC: REMOVED OBSOLETE PART NUMBER AS PER PCN#512672.					
GENERAL TOLERANCES (UNLESS SPECIFIED)				molex 0.5MM FPC CONN ZIF R/A HOUSING ASSY (LOWER CONTACT) PRODUCT CUSTOMER DRAWING					
ANGULAR TOL ± 3.0°									
4 PLACES ±		EC NO: 724799		2022/10/26		DOCUMENT NUMBER 541321000			
3 PLACES ±		DRWN: SANTHN		2022/11/03					
2 PLACES ± 0.2		CHK'D: GGA		2022/11/03		DOC TYPE PSD		DOC PART 000	
1 PLACE ± 0.2		APPR: GGA		2022/11/03		REVISION B1			
0 PLACES ± 0.2		INITIAL REVISION:		2016/02/18		MATERIAL NUMBER SEE TABLE		CUSTOMER GENERAL	
DRAFT WHERE APPLICABLE MUST REMAIN WITHIN DIMENSIONS		THIRD ANGLE PROJECTION		DRAWING A3-SIZE		SERIES 54132		SHEET NUMBER 2 OF 2	