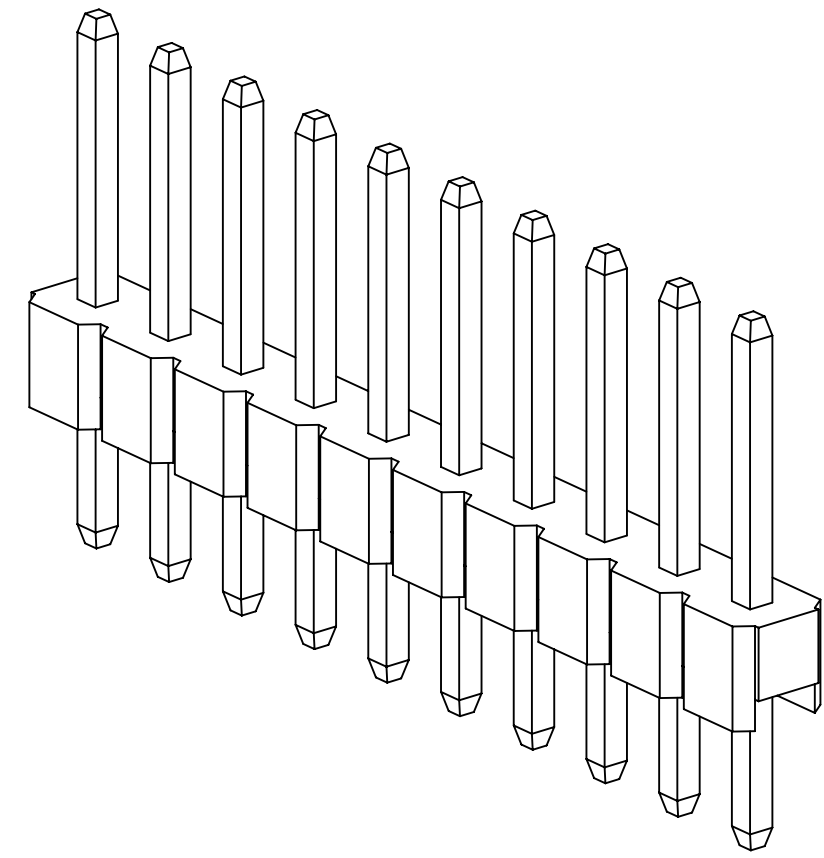
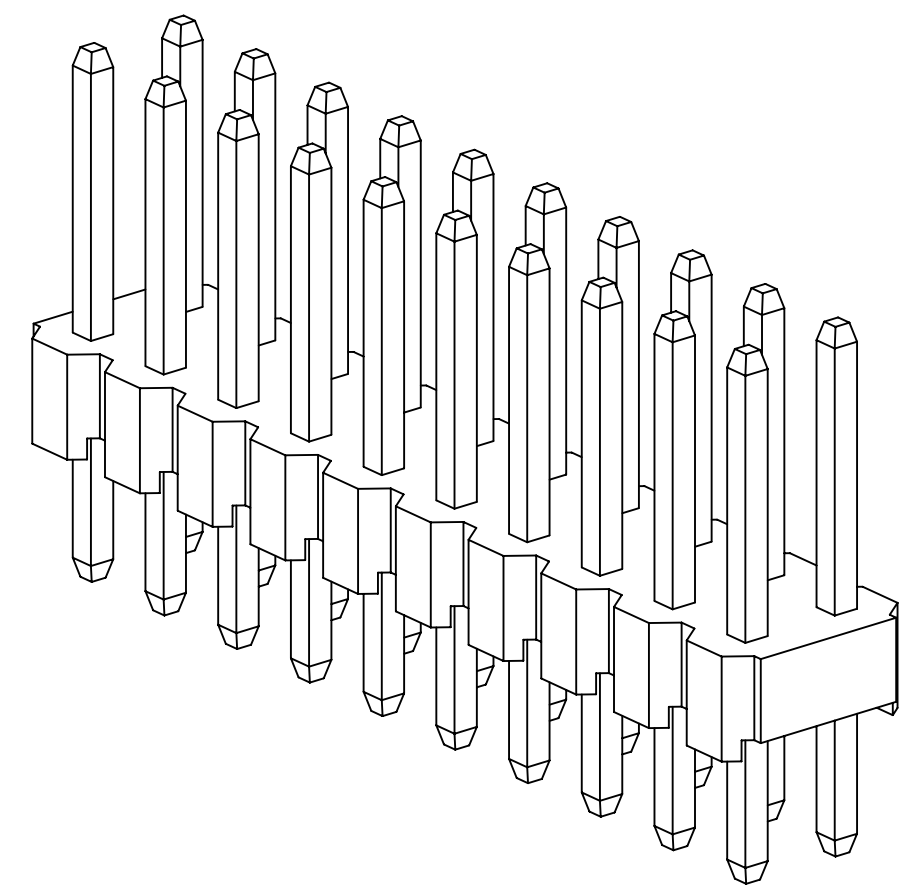


3M™ PIN STRIP HEADER, 961 SERIES  
2.54MM AND 2.54MM X 2.54MM STRAIGHT SOLDER TAIL

- NOTES
- REGULATORY INFORMATION:  
VISIT 3M.com/regs
  - IN THE EVENT OF CONFLICT BETWEEN THIS DATA AND THAT CONTAINED IN THE PRODUCT SPECIFICATION, THE PRODUCT SPECIFICATION TAKES PRECEDENT.
  - N = THE NUMBER OF POSITIONS.



SINGLE ROW STRAIGHT VERSION



DUAL ROW STRAIGHT VERSION

2 PHYSICAL :

INSULATOR:  
MATERIAL: HIGH TEMP THERMOPLASTIC  
FLAMMABILITY: UL94V-0  
COLOR: BLACK  
CONTACT:  
MATERIAL: COPPER ALLOY  
PLATING:  
UNDER PLATING: 50-100µ" [ 1.27-2.54µm ] NICKEL-OVERALL  
WIPING AREA: GOLD FLASH  
SOLDER TAILS: 40-118µ" [ 1-3µm ] MATTE TIN

2 ELECTRICAL :

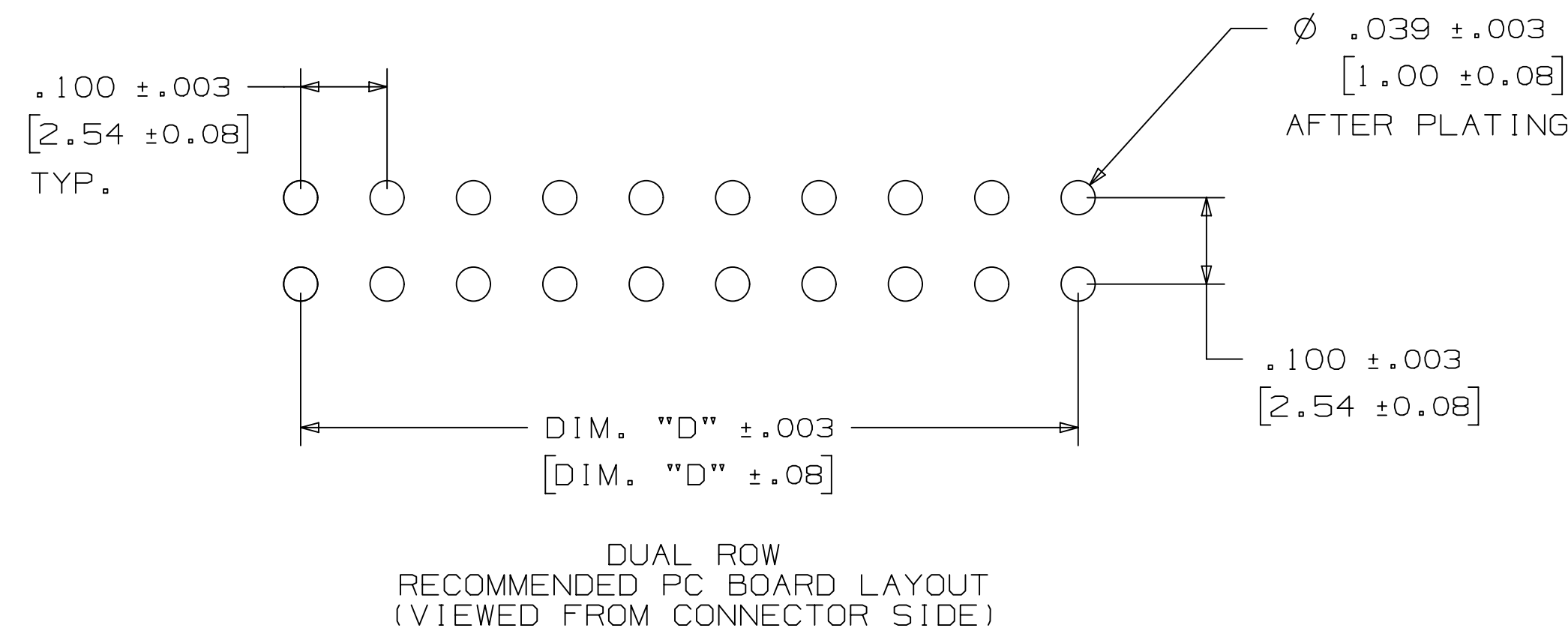
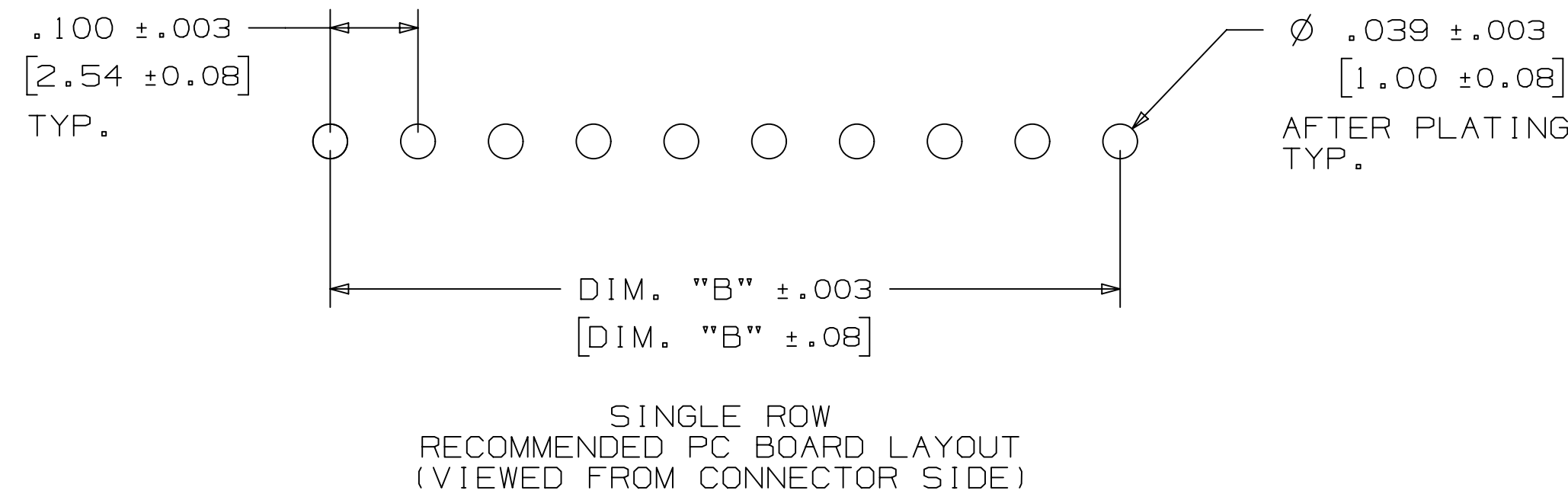
CURRENT RATING: 3A  
INSULATION RESISTANCE: >5 X 10<sup>8</sup> OHm AT 100V<sub>DC</sub>  
WITHSTANDING VOLTAGE: 1000V<sub>AC</sub> AT 60s

2 MECHANICAL :

RETENTION FORCE: ≥ 7.0N PER PIN

2 ENVIRONMENTAL :

TEMPERATURE RATING: -55° C TO 125° C  
PROCESSING TEMPERATURE: MAX. 260° C (PROFILE PER J-STD-020C)  
MOISTURE SENSITIVITY LEVEL: 1 (PER J-STD-020C)



DIMENSIONS: INCH [MM]  
[MM] FOR REF. ONLY

3M ELECTRONICS MATERIALS SOLUTIONS DIVISION  
INTERCONNECT SOLUTIONS  
<http://www.3M.com/interconnect>

3M IS A TRADEMARK OF 3M COMPANY.  
FOR TECHNICAL, SALES OR ORDERING  
INFORMATION CALL 800-225-5373

**us**  
UL FILE NO: E68080

B	104062	APR 21, 2022	JNC	FJR
		UPDATE DWG TO CURRENT STANDARDS		
A	72044	MAR 06, 2017	JNC	TS
		REVISE ELECTRICAL, MECHANICAL & ENVIRONMENTAL NOTES 2-2-17 REMOVE 5 CONNECTORS PRODUCTION RELEASE		

DESIGN REFERENCE	NEXT ASSEMBLY	REV	ECO	ISSUE DATE AND DESCRIPTION	DRFT	CHKD
		DRFT	CASTIGLIONE	DATE APR 22, 2015	MFG	DATE
		CHKD		DATE	APPRV	DATE APR 22, 2015
					T. SUNIGA	

DO NOT SCALE DRAWING	SCALE 6/1	TOLERANCES EXCEPT AS NOTED
THIRD ANGLE PROJECTION	INTERPRET PER ASME Y14.5 - 2018	INCHES: .01 ± .02, .00 ± .008, .000 ± .005, .0000 ± .0002
MAX SURFACE ROUGHNESS	ALL SURFACES	MILLIMETERS: 0 ±, .0 ±, .00 ±, .000 ±
<input checked="" type="checkbox"/> MARKED ONLY	ANGLES	

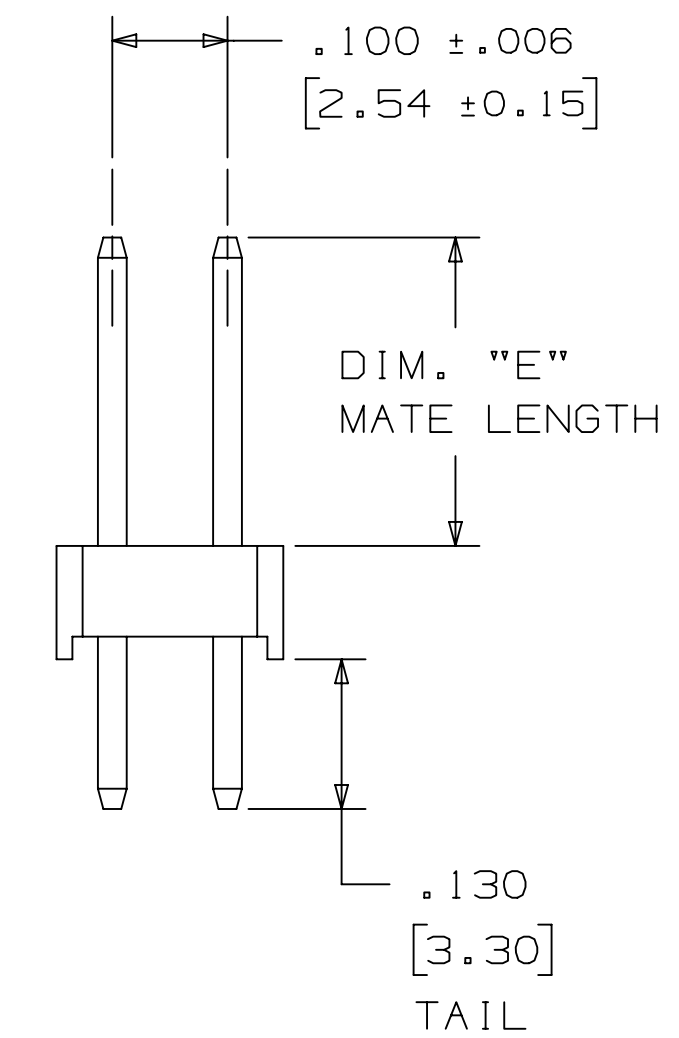
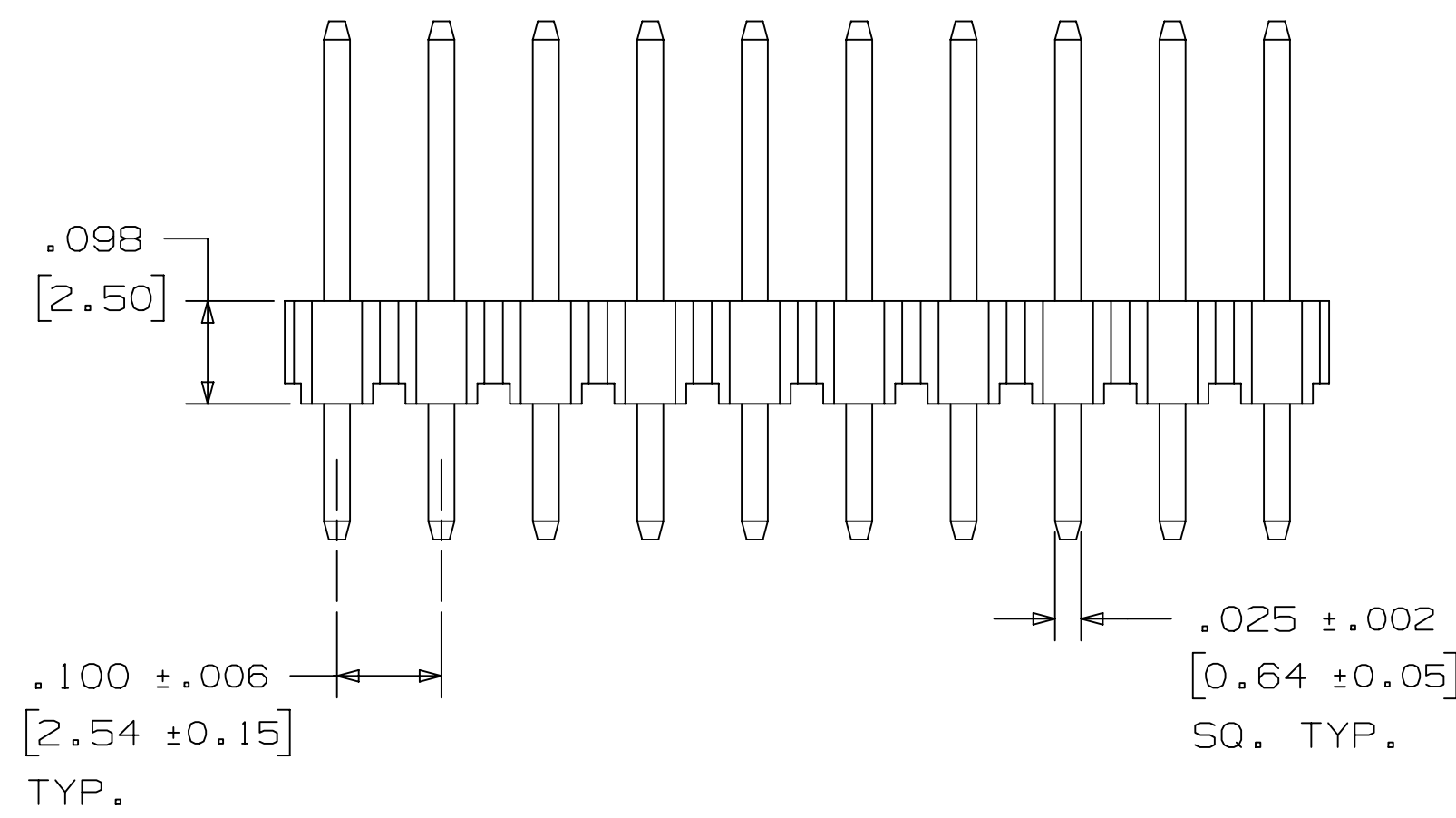
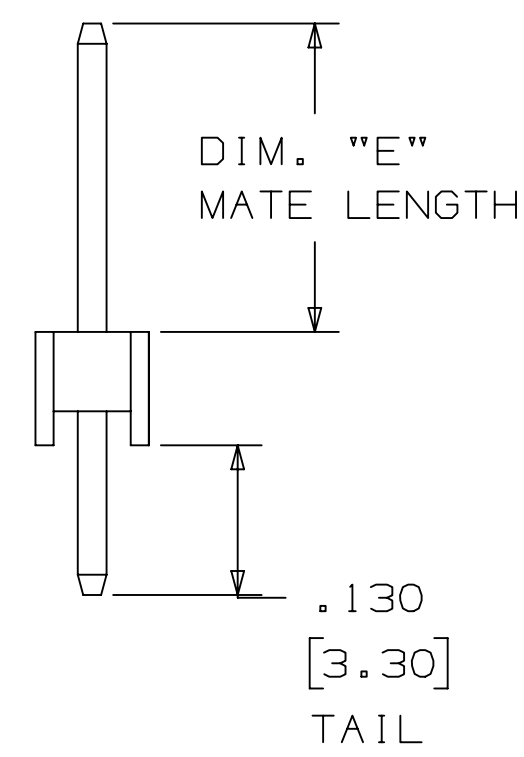
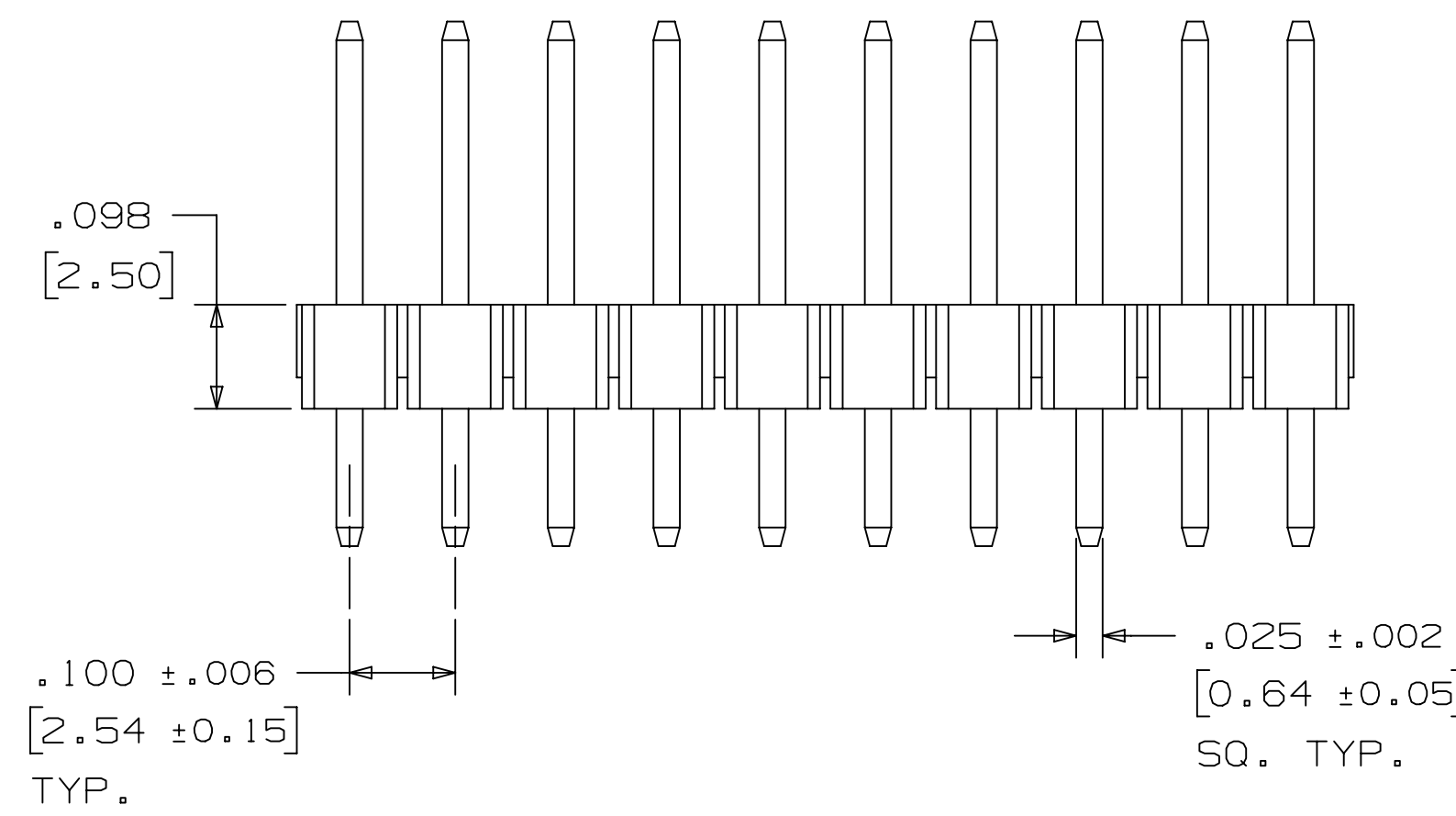
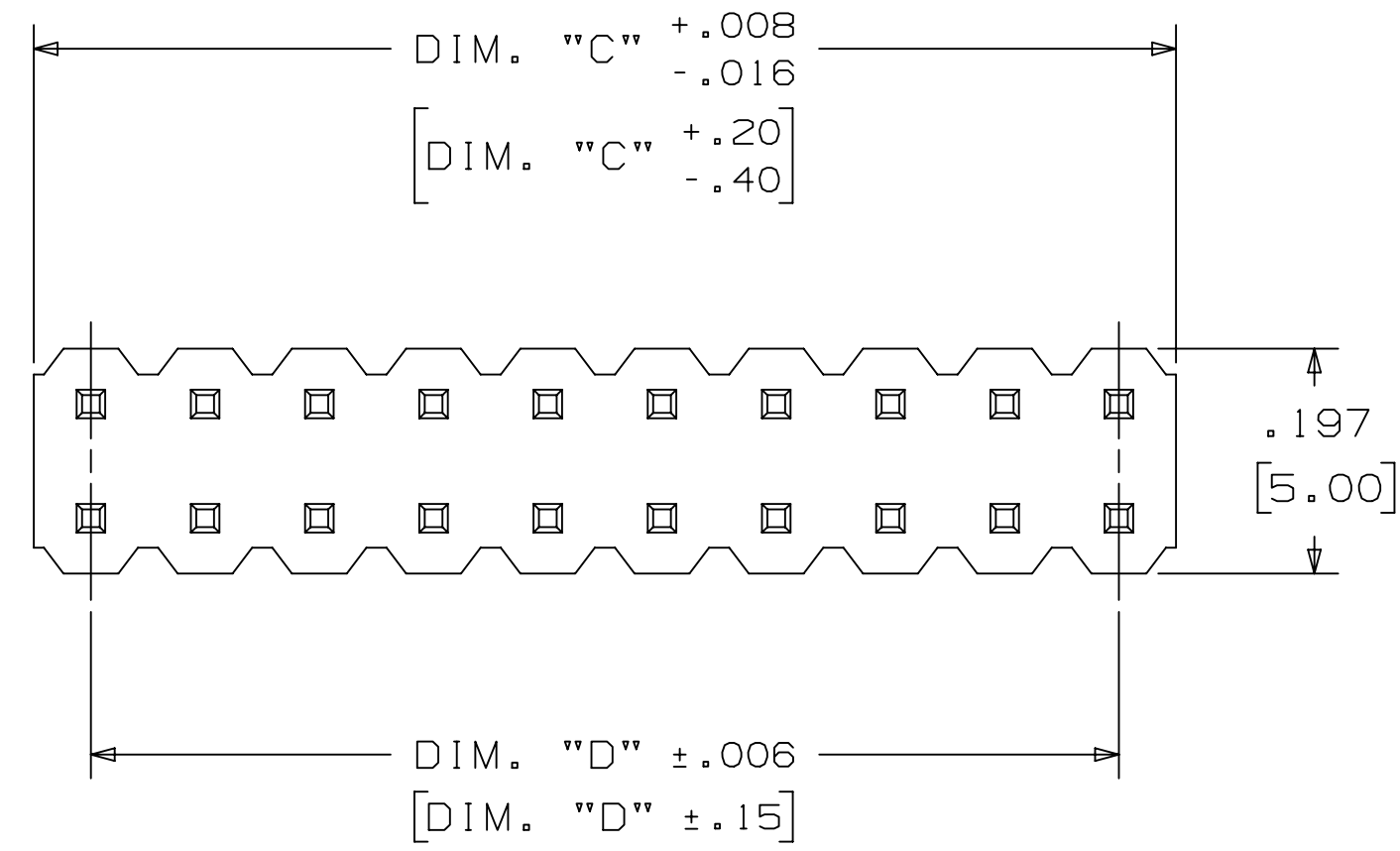
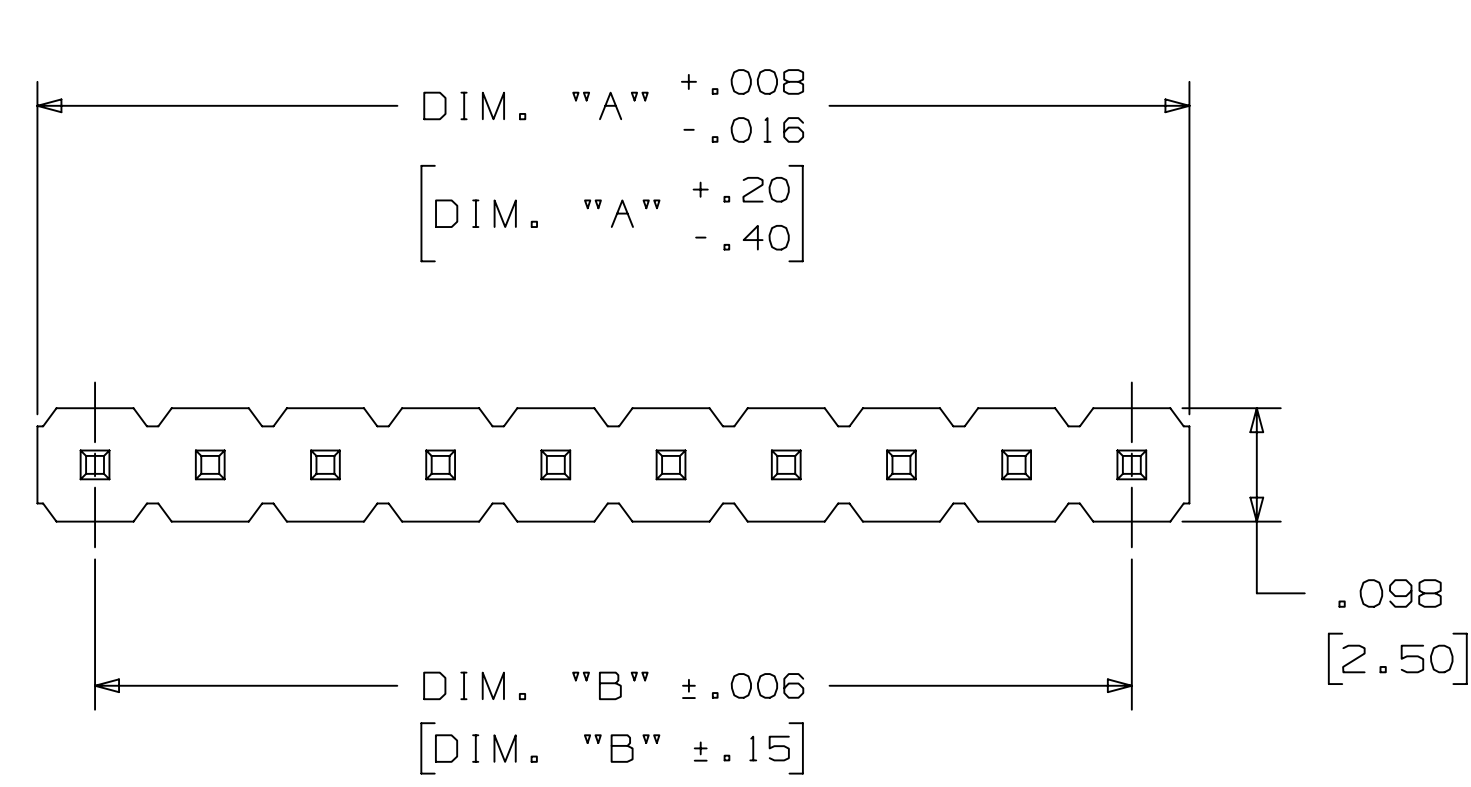
		© 3M COPYRIGHT 2022 This document and the information it contains are 3M property and may not be reproduced or further distributed without 3M permission, or used or disclosed other than for 3M authorized purposes. All rights reserved.
TITLE PIN STRIP HEADER, 2.54MM, STRAIGHT		
CAGE NUMBER	SIZE	DRAWING NO.
D		78-5100-2659-0
MODEL	REV.	
961XXX	B	

78-5100-2659-0 DRAWING NUMBER

A

SHT 1 OF 4

3M™ PIN STRIP HEADER, 961 SERIES  
2.54MM AND 2.54MM X 2.54MM STRAIGHT SOLDER TAIL



ORDERING INFORMATION  
STRAIGHT VERSION  
(SINGLE INSULATOR ONLY)

961XXX-6X04-AR

No. OF ROWS:  
1 = 1 ROW  
2 = 2 ROW

PIN MATE LENGTH  
DIM. "E"  
4 = .22 [5.5]  
8 = .27 [6.8]

CONTACT QTY.  
36 PINS = 1 ROW  
72 PINS = 2 ROW

TABLE 1	
DIM. "A"	.100 [2.54] X N
DIM. "B"	.100 [2.54] X (N-1)
DIM. "C"	.100 [2.54] X (N/2)
DIM. "D"	.100 [2.54] X (N/2-1)
SEE NOTE 3	

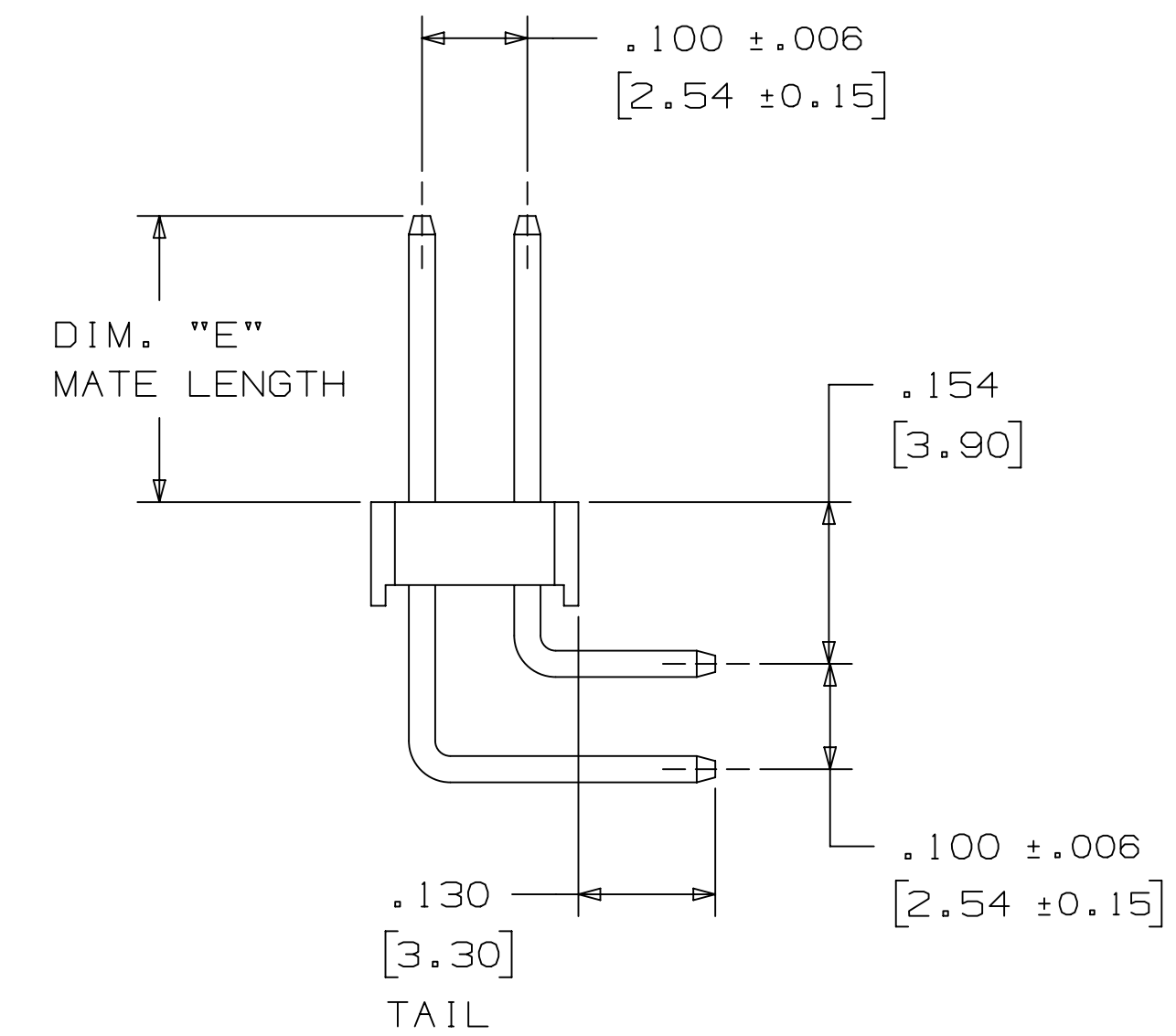
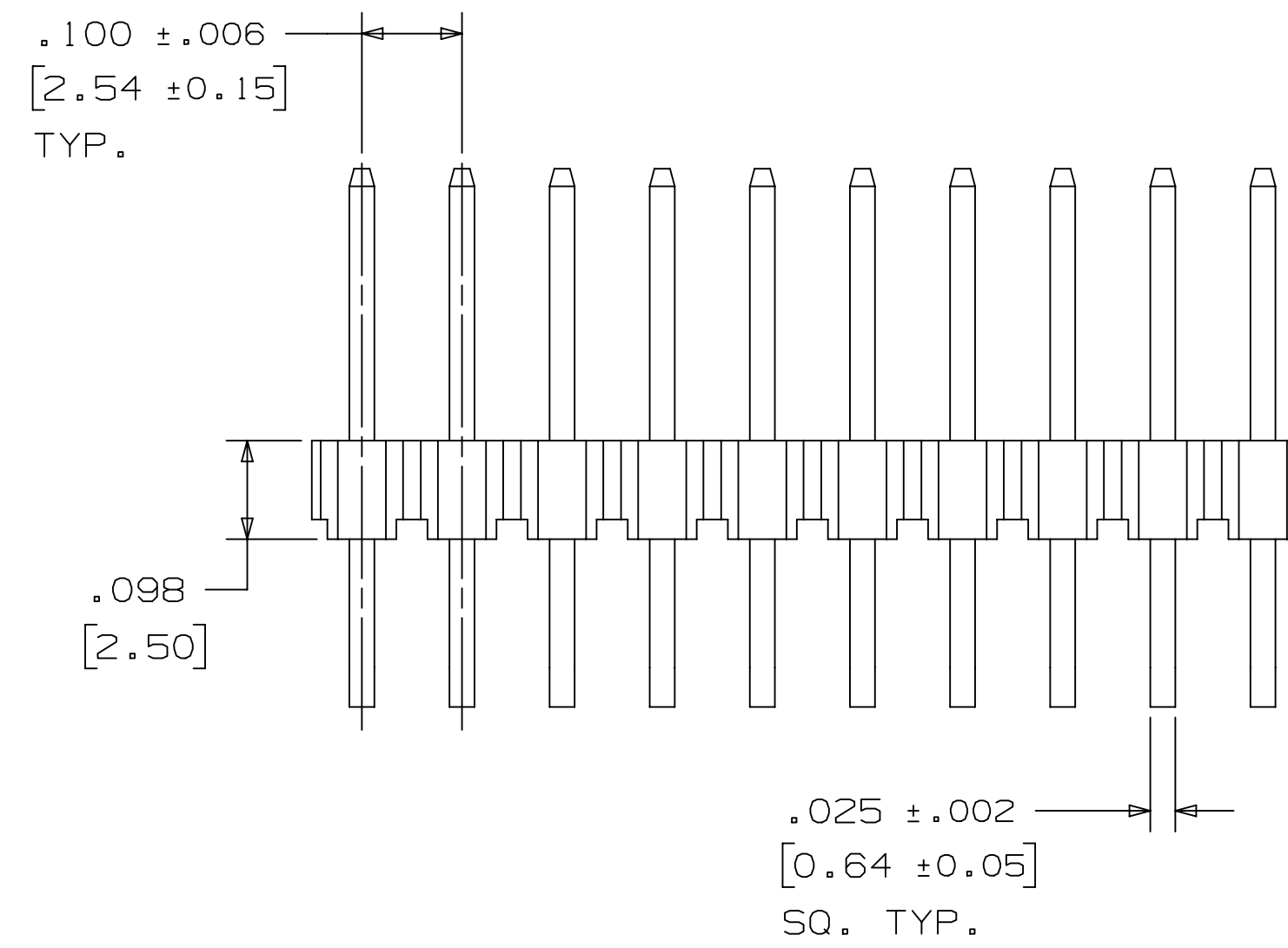
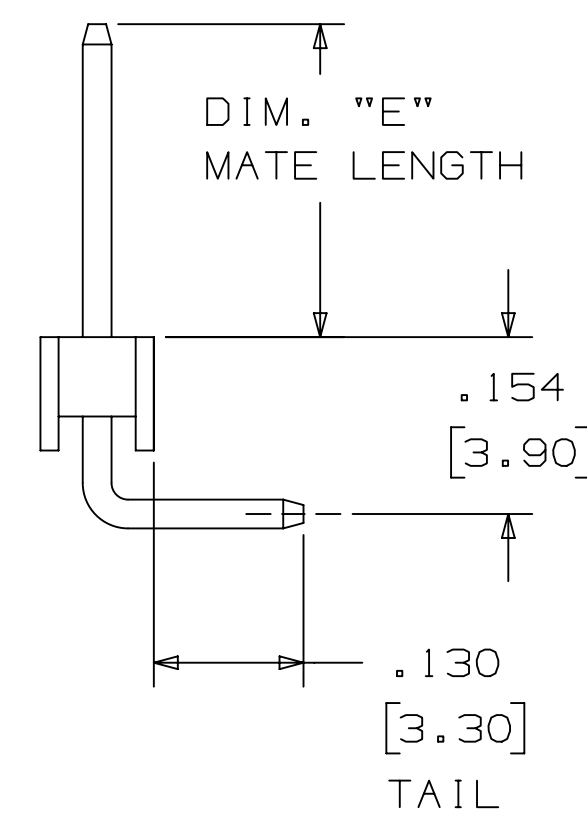
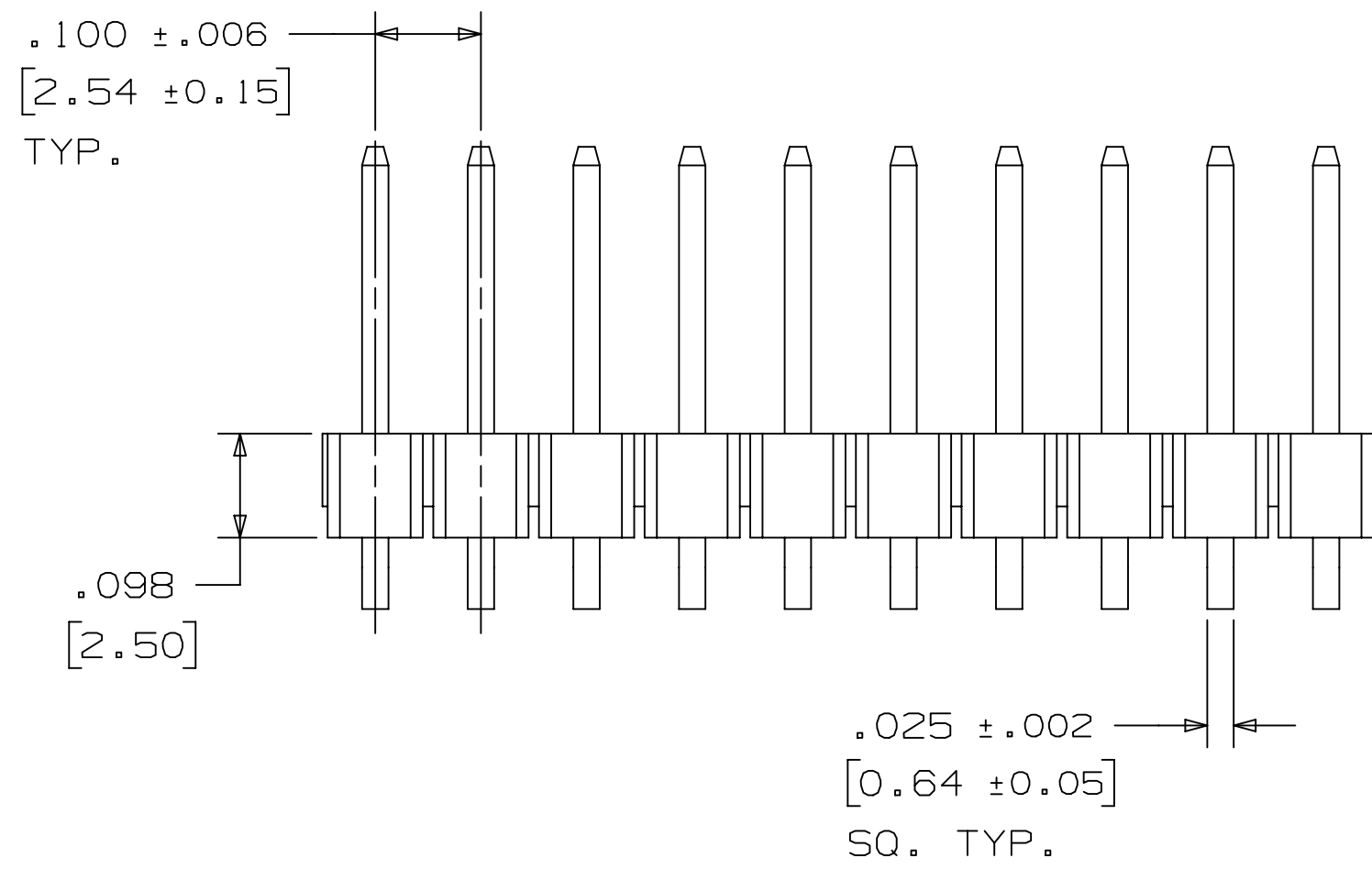
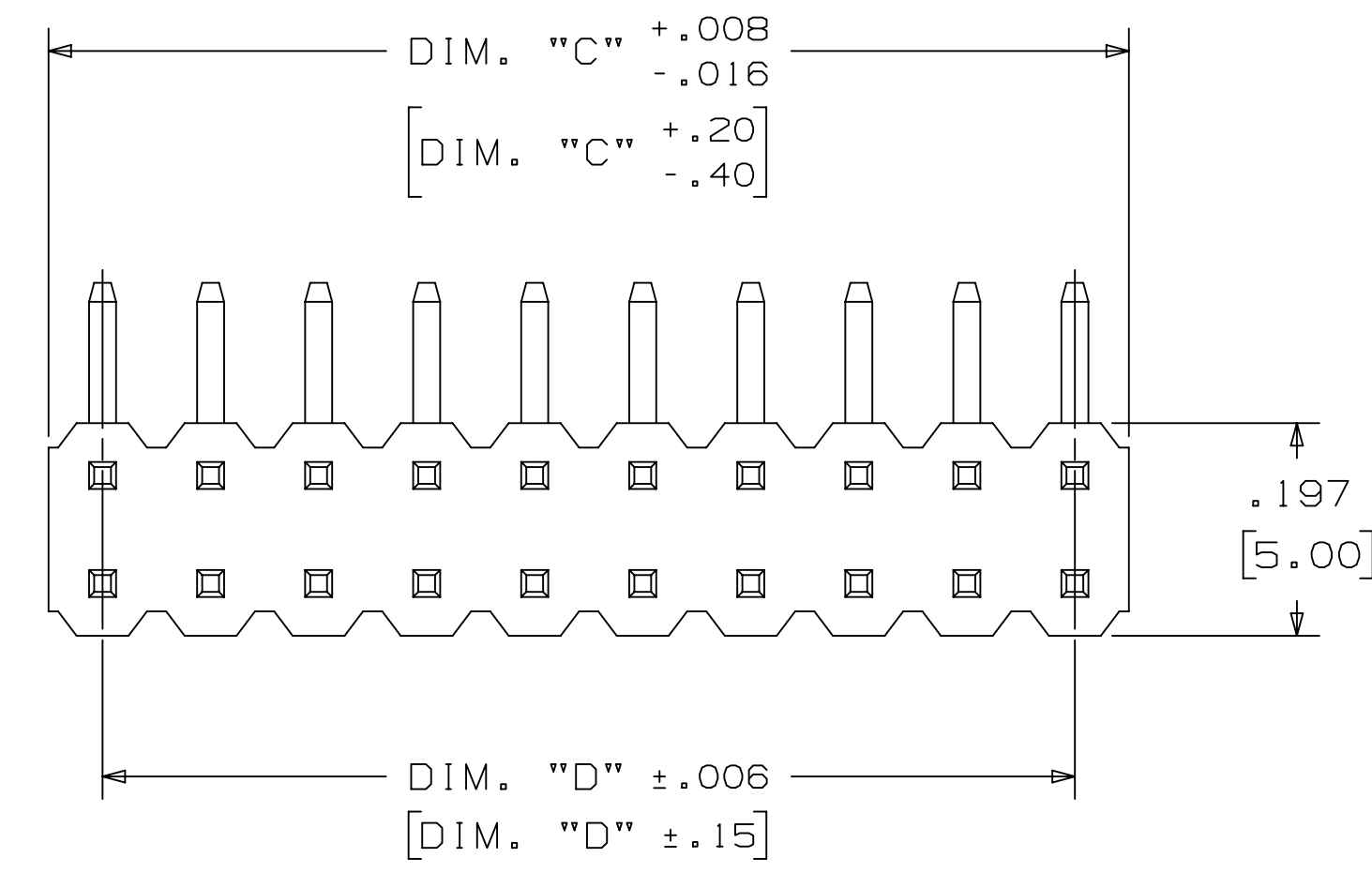
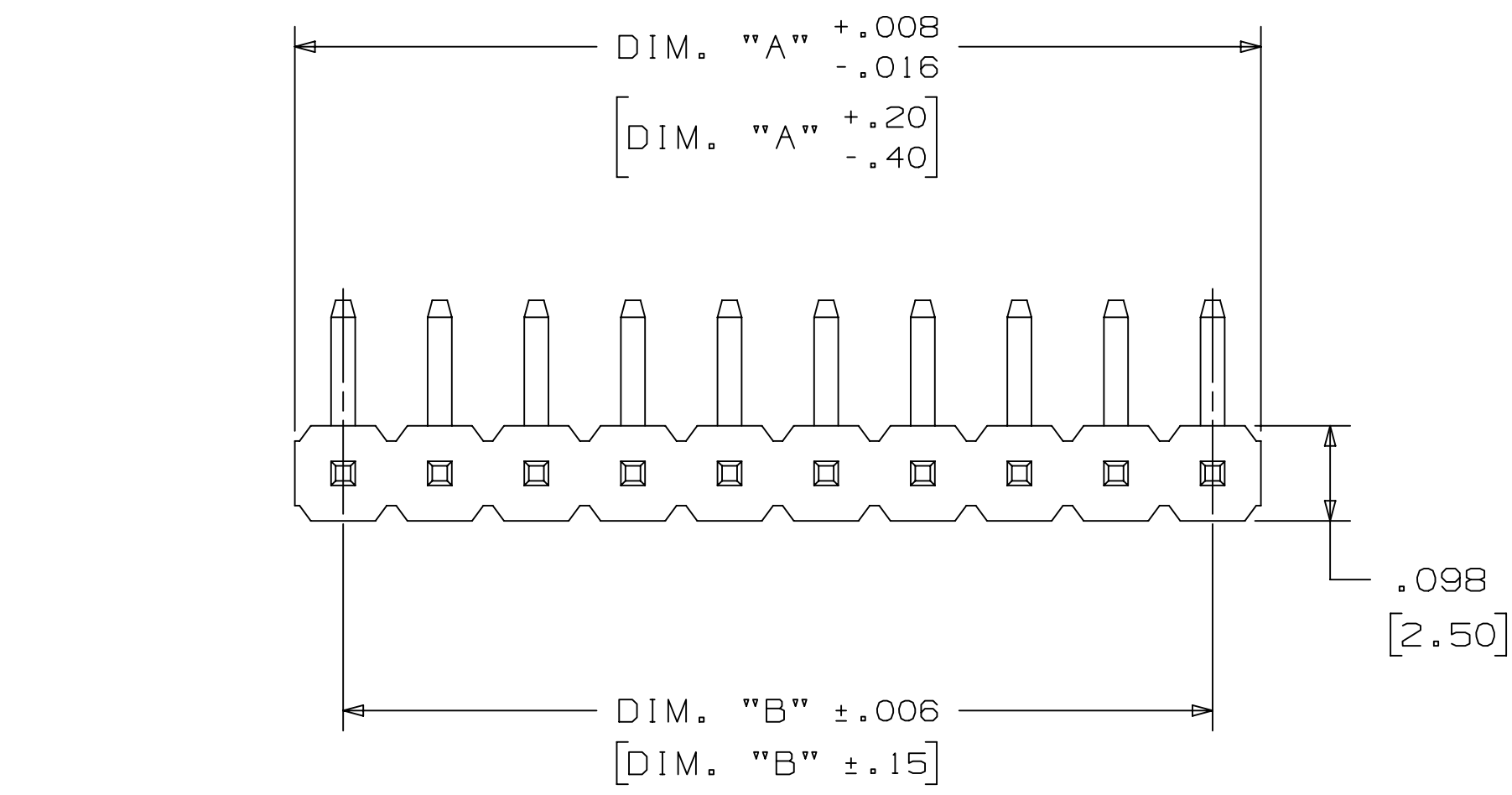
3M ELECTRONICS MATERIALS SOLUTIONS DIVISION  
INTERCONNECT SOLUTIONS  
<http://www.3M.com/interconnect>

3M IS A TRADEMARK OF 3M COMPANY.  
FOR TECHNICAL, SALES OR ORDERING  
INFORMATION CALL 800-225-5373

DESIGN REFERENCE	NEXT ASSEMBLY	REV	ECO	ISSUE DATE AND DESCRIPTION	DRFT	CHKD
		ECO		APR 21, 2022 UPDATE DWG TO CURRENT STANDARDS	JNC	FJR
		A		MAR 06, 2017 REVISE ELECTRICAL, MECHANICAL & ENVIRONMENTAL NOTES 2-2-17 REMOVE 5 CONNECTORS PRODUCTION RELEASE	JNC	TS
		DRFT		APR 22, 2015		
		CHKD		APR 22, 2015		
DIVISION		DIVISION CODE		DATE		
DO NOT SCALE DRAWING		SCALE		TOLERANCES EXCEPT AS NOTED		
THIRD ANGLE PROJECTION		SCALE 6/1		INCHES		
INTERPRET PER ASME Y14.5 - 2018				MILLIMETERS		
MAX. SURFACE ROUGHNESS				INCHES		
MARKED ONLY				MILLIMETERS		
				ANGLES		
				TITLES		
				CAGE NUMBER		
				DRAWING NO.		
				REV.		
				MODEL		
				DET		
				SHT 2 OF 4		

3M Center St. Paul, MN 55144		© 3M COPYRIGHT 2022 This document and the information it contains are 3M property and may not be reproduced or further distributed without 3M permission, or used or disclosed other than for 3M authorized purposes. All rights reserved.	
PIN STRIP HEADER, 2.54MM, STRAIGHT		CAGE NUMBER <b>D</b> 78-5100-2659-0	
MODEL 961XXX		REV. B	

3M™ PIN STRIP HEADER, 961 SERIES  
2.54MM AND 2.54MM X 2.54MM STRAIGHT SOLDER TAIL



ORDERING INFORMATION  
RIGHT ANGLE VERSION

961XXX-5X04-AR

No. OF ROWS:  
1 = 1 ROW  
2 = 2 ROW

PIN MATE LENGTH  
DIM. "E"  
6 = .24 [6.1]  
8 = .27 [6.8]

CONTACT QTY.  
36 PINS = 1 ROW  
72 PINS = 2 ROW

TABLE 2	
DIM. "A"	.100 [2.54] X N
DIM. "B"	.100 [2.54] X (N-1)
DIM. "C"	.100 [2.54] X (N/2)
DIM. "D"	.100 [2.54] X (N/2-1)
SEE NOTE 3	

3M ELECTRONICS MATERIALS SOLUTIONS DIVISION  
INTERCONNECT SOLUTIONS  
<http://www.3M.com/interconnect>

3M IS A TRADEMARK OF 3M COMPANY.  
FOR TECHNICAL, SALES OR ORDERING  
INFORMATION CALL 800-225-5373

REV	ECO	ISSUE DATE AND DESCRIPTION	DRFT	CHKD
B	104062	APR 21, 2022 UPDATE DWG TO CURRENT STANDARDS	JNC	FJR
A	72044	MAR 06, 2017 REVISE ELECTRICAL, MECHANICAL & ENVIRONMENTAL NOTES 2-2-17 REMOVE 5 CONNECTORS PRODUCTION RELEASE	JNC	TS

DESIGN REFERENCE	NEXT ASSEMBLY	REV	ECO	ISSUE DATE AND DESCRIPTION	DRFT	CHKD
		DRFT	CASTIGLIONE	DATE APR 22, 2015	MFG	DATE
		CHKD		DATE	APPV	DATE APR 22, 2015
					T. SUNIGA	

DIVISION	DIVISION CODE
	EMSD

DO NOT SCALE DRAWING	SCALE	TOLERANCES EXCEPT AS NOTED
	6/1	

THIRD ANGLE PROJECTION	INTERPRET PER ASME Y14.5 - 2018	INCHES	MILLIMETERS
		0 ±.02 .00 ±.008 .000 ±.005 .0000 ±.0002	0 ± .00 ± .000 ±

MAX. SURFACE ROUGHNESS	ALL SURFACES	MARKED ONLY

TITLE	CAGE NUMBER	SIZE	DRAWING NO.	REV.
PIN STRIP HEADER, 2.54MM, STRAIGHT	D		78-5100-2659-0	B

MODEL	DET	YES	NO	SHT 3 OF 4
961XXX				

78-5100-2659-0  
DRAWING NUMBER  
REVISION

8 7 6 5 4 3 2 1

3M™ PIN STRIP HEADER, 961 SERIES  
2.54MM AND 2.54MM X 2.54MM STRAIGHT SOLDER TAIL

Regulatory: For regulatory information about this product, visit 3M.com/regs or contact your 3M representative.

Technical Information: The technical information, recommendations and other statements contained in this document are based upon tests or experience that 3M believes are reliable, but the accuracy or completeness of such information is not guaranteed.

Product Use: Many factors beyond 3M's control and uniquely within user's control can affect the use and performance of a 3M product in a particular application. Given the variety of factors that can affect the use and performance of a 3M product, user is solely responsible for evaluating the 3M product and determining whether it is fit for a particular purpose and suitable for user's method of application.


Warranty, Limited Remedy, and Disclaimer: Unless an additional warranty is specifically stated on the applicable 3M product packaging or product literature, 3M warrants that each 3M product meets the applicable 3M product specification at the time 3M ships the product. 3M MAKES NO OTHER WARRANTIES OR CONDITIONS, EXPRESS OR IMPLIED, INCLUDING, BUT NOT LIMITED TO, ANY IMPLIED WARRANTY OR CONDITION OF MERCHANTABILITY OR FITNESS FOR A PARTICULAR PURPOSE OR ANY IMPLIED WARRANTY OR CONDITION ARISING OUT OF A COURSE OF DEALING, CUSTOM OR USAGE OR TRADE. If the 3M product does not conform to this warranty, then the sole and exclusive remedy is, at 3M's option, replacement of the 3M product or refund of the purchase price.

Limitation of Liability: Except where prohibited by law, 3M will not be liable for any loss or damage arising from the 3M product, whether direct, indirect, special, incidental or consequential, regardless of the legal theory asserted, including warranty, contract, negligence or strict liability.

3M Company  
Electronics Materials Solutions Division  
13011 McCallen Pass, Bldg. C  
Austin, TX 78753-5380  
1-800-225-5373  
www.3M.com/interconnect

3M ELECTRONICS MATERIALS SOLUTIONS DIVISION  
INTERCONNECT SOLUTIONS  
<http://www.3M.com/interconnect>

3M IS A TRADEMARK OF 3M COMPANY.  
FOR TECHNICAL, SALES OR ORDERING  
INFORMATION CALL 800-225-5373

REV	ECO	ISSUE DATE AND DESCRIPTION	DRFT	CHKD		
B	104062	APR 21, 2022 UPDATE DWG TO CURRENT STANDARDS	JNC	FJR		
A	72044	MAR 06, 2017 REVISE ELECTRICAL, MECHANICAL & ENVIRONMENTAL NOTES 2-2-17 REMOVE 5 CONNECTORS PRODUCTION RELEASE	JNC	TS		
DESIGN REFERENCE	NEXT ASSEMBLY	REV	ECO	ISSUE DATE AND DESCRIPTION	DRFT	CHKD
XXXXXX	XXXXXX	CASTIGLIONE	APR 22, 2015	MFG	DATE	
		CHKD	DATE	APPRV	DATE	
				T. SUNIGA	APR 22, 2015	
DIVISION	DIVISION CODE	 © 3M COPYRIGHT 2022 This document and the information it contains are 3M property and may not be reproduced or further distributed without 3M permission, or used or disclosed other than for 3M authorized purposes. All rights reserved.				
DO NOT SCALE DRAWING	SCALE 4/1	TOLERANCES EXCEPT AS NOTED	INCHES: .0 ± .02 .00 ± .008 .000 ± .005 .0000 ± .0002			
THIRD ANGLE PROJECTION	INTERPRET PER ASME Y14.5 - 2018	MILLIMETERS	0 ± .0 ± .00 ± .000 ±			
MAX SURFACE ROUGHNESS	ALL SURFACES	ANGLES	CAGE NUMBER <b>D</b> 78-5100-2659-0 MODEL 961XXX DET [ ] YES [X] NO SHT 4 OF 4			
<input checked="" type="checkbox"/> MARKED ONLY						

78-5100-2659-0 DRAWING NUMBER