

TEST DATA

| ITEM | SPEC | SAMPLE | | | | | | | | | |
|--|-----------------|----------|-------|-------|----|---|---|---|---|---|----|
| | | 1 | 2 | 3 | 4 | 5 | 6 | 7 | 8 | 9 | 10 |
| Primary Exciting Current Input 120 VAC, 60 Hz | 95 mA max | 67 | 62 | 59 | | | | | | | |
| Primary Load Current Input 120 VAC, 60 Hz | 220 mA # max | 158 | 157 | 157 | | | | | | | |
| Secondary No Load DC Voltage | 16V ±5% | 16.12 | 16.19 | 16.18 | | | | | | | |
| Secondary DC Voltage Load 800 mA | 12V ±5% | 11.98 | 12 | 12.02 | | | | | | | |
| Secondary Voltage Load mA | ± V % | | | | | | | | | | |
| Secondary Voltage Load mA | ± V % | | | | | | | | | | |
| Secondary Voltage Load mA | ± V % | | | | | | | | | | |
| Secondary Voltage Load mA | ± V % | | | | | | | | | | |
| Ripple Voltage Load 800 mA (PK-PK) | 2V max | 1.5 | 1.5 | 1.5 | | | | | | | |
| Hi-Pot Test 3 mA for 3Sec. | Pri. to Sec. | 2K VAC | OK | OK | OK | | | | | | |
| | Pri. to Core | 2K VAC | OK | OK | OK | | | | | | |
| | Sec. to Core | 1.5K VAC | OK | OK | OK | | | | | | |

Temperature Rise: 70°C MAX measured By Resistance Method (Primary Winding)

Core Film: SPLIT

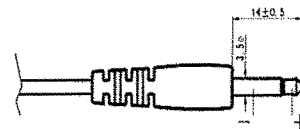
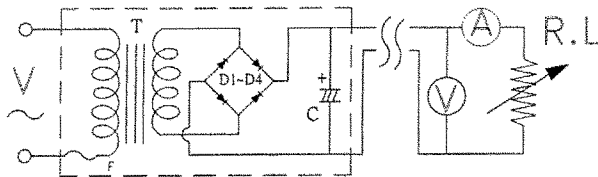
Core : EI-41

Testing Circuit:

2200uF/25V

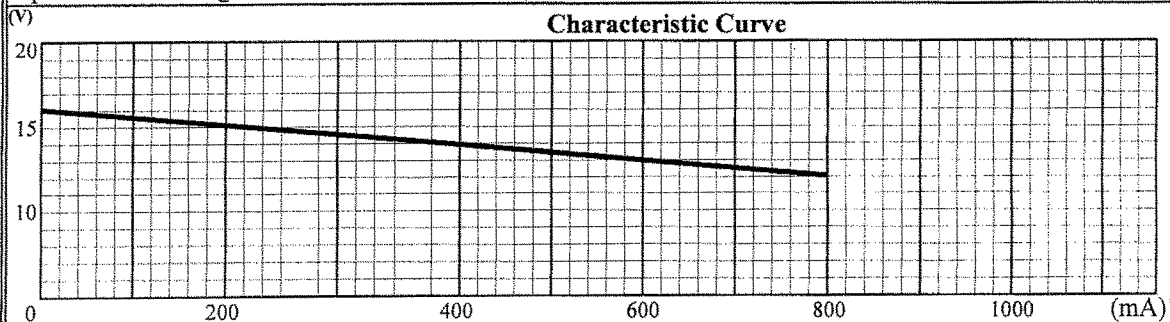
Output Plug Drawing:

PLUG:3.5*14mm



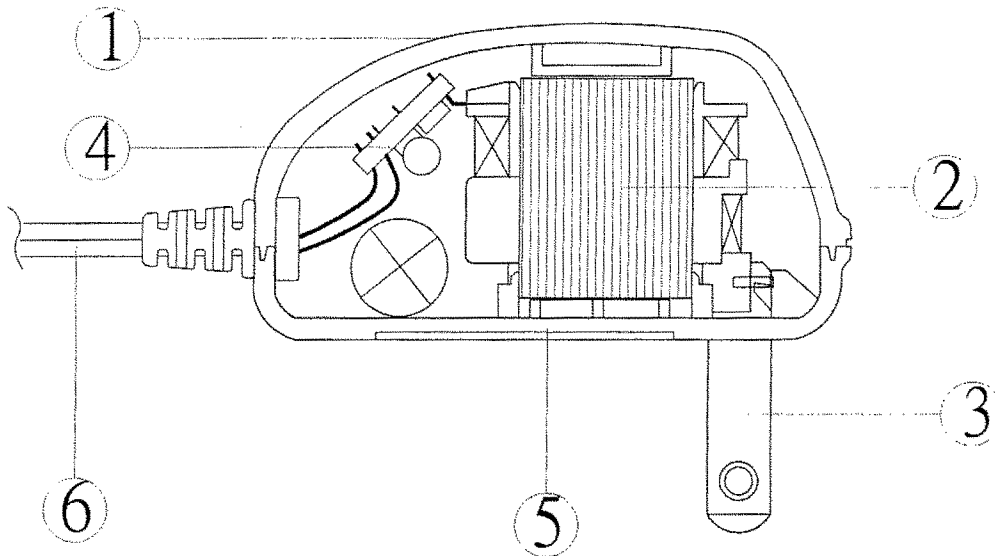
Output conductor length: 6 ft min (AWG#22)

Input conductor length: ft min (AWG#)



DC Adaptor Specifications

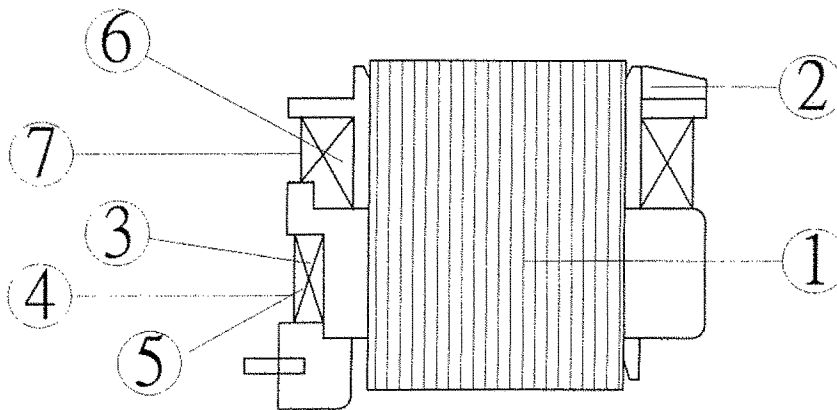
Internal Construction Drawing and Parts List (Unit: Set or EA)



| Part Name | Specification | Q'ty |
|---------------------------------------|---------------------------|------|
| 1. Enclosure | Noryl SE1 94V-0 105°C | |
| | Noryl SE-100 94V-0 95°C | |
| | Noryl PX1700 94V-0 95°C | |
| | 940(f1) 94V-0 130°C | |
| 2. Transformer | EI-41 | 1 |
| 3. Blade | Ni plated brass | 2 |
| 4. Print Wiring Board Assembly | | |
| Print Wiring Board | 04V0 94V-0 130°C | 1 |
| | 11 94V-0 105°C | |
| | 13 94V-0 130°C | |
| | BF-3 94V-0 130°C | |
| Diode | 1A 400-700V IN4004-IN4007 | 4 |
| Capacitor | 2200uF 25V 85°C | 1 |
| 5. Name Plate | Polyester Film | 1 |
| 6. Output Cord | AWG#22 6FT min | 1 |

DC Adaptor Specifications

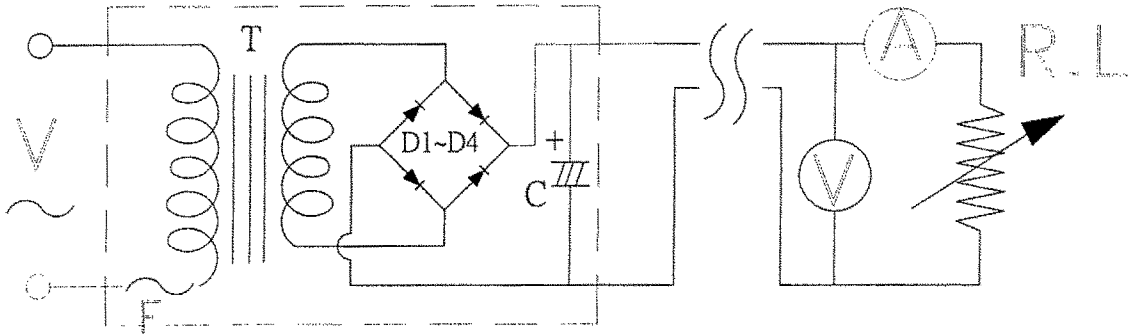
Construction Drawing and Details of Transformer



| Part Name | Material & Type | Spec or Q'ty |
|----------------------------|--------------------------------------|-------------------|
| 1. Core | Silicon Steel | 0.5mm |
| 2. Bobbin | Polybutylene Terephthalate 1403G6 | 0.71mm |
| | PETP(QMFZ2) FR-530, FR530L | |
| | Nylon 101L | |
| 3. Primary Winding | Polyurethane Enameled Copper wire | mm turn ohm |
| 4. Primary Outer Winding | Mylar Tape | 0.025mmx2T |
| 5. Thermal Fuse | M30 2A 125°C 250V AC | 1PC |
| 6. Secondary Winding | Polyurethane Enameled Copper Wire | mm turn ohm |
| 7. Secondary Outer Winding | Mylar Tape | 0.025mmx2T |

DC Adaptor Specifications

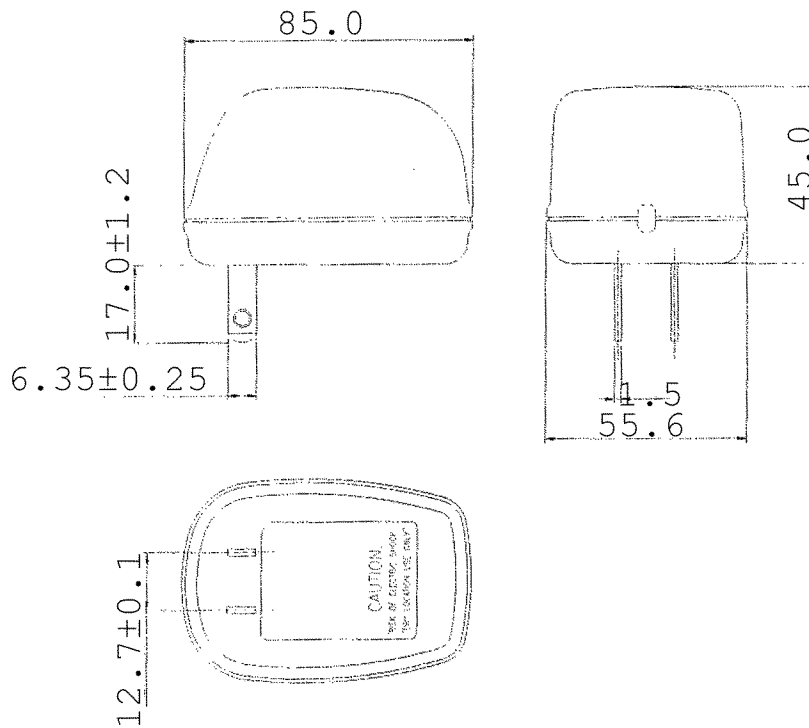
Circuit Diagram



| Symbol | Part Name | Note |
|--------|-------------|---------------------------|
| T | Transformer | EI-41 |
| D(1~4) | Diode | 1A 400-700V IN4004-IN4007 |
| F | Thermal | 125°C 2A 250V |
| C1 | Capacitor | 2200uF 25V 85°C |

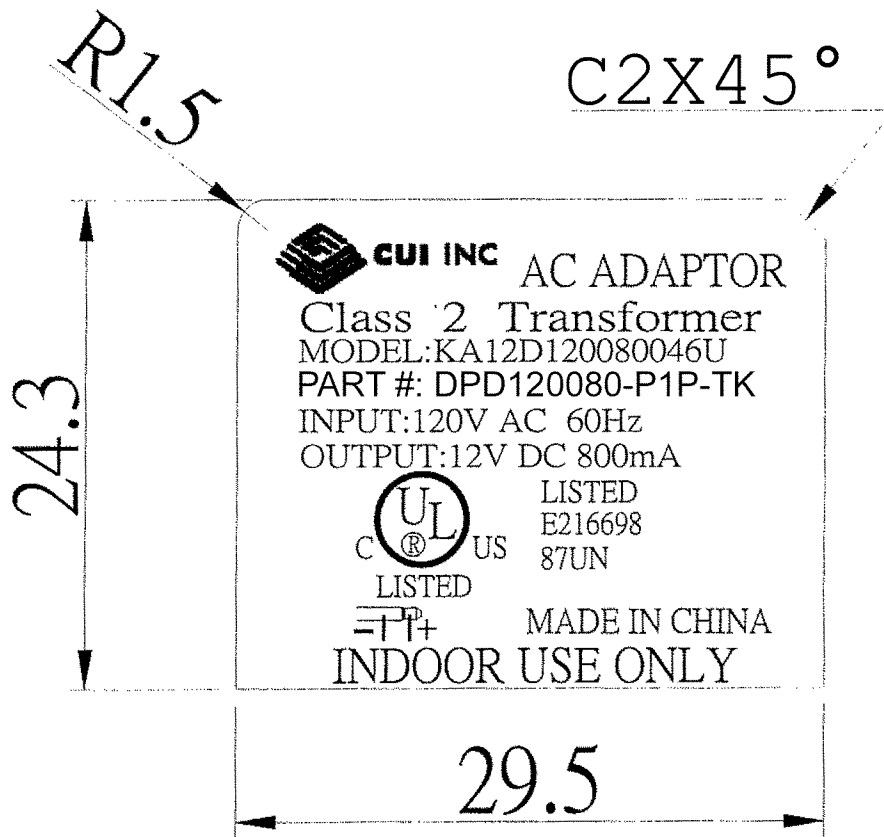
AC Adaptor Specifications

Appearance Drawing (Unit:mm)



DC Adaptor Specifications

Dimension of Nameplate (Unit:mm)



Material: Polyester Film

T: 0.25mm