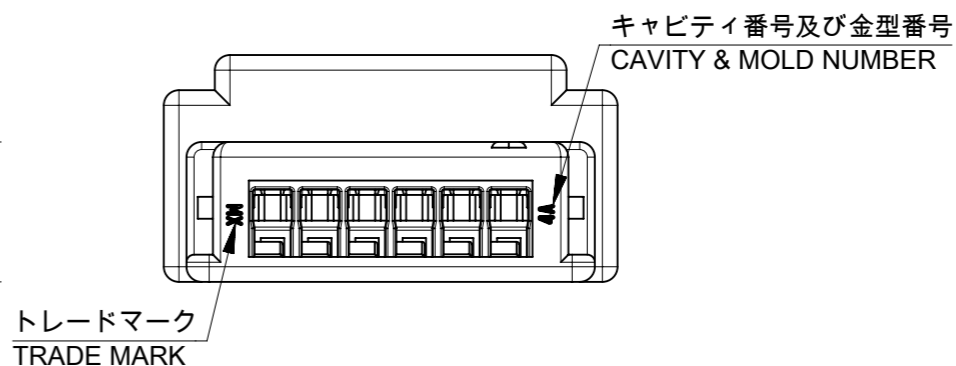
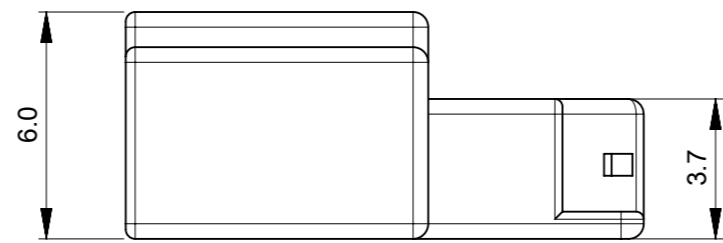
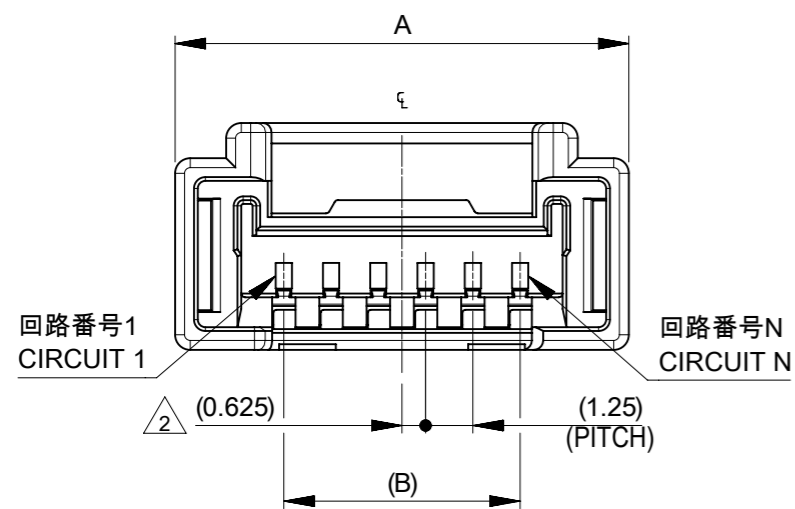
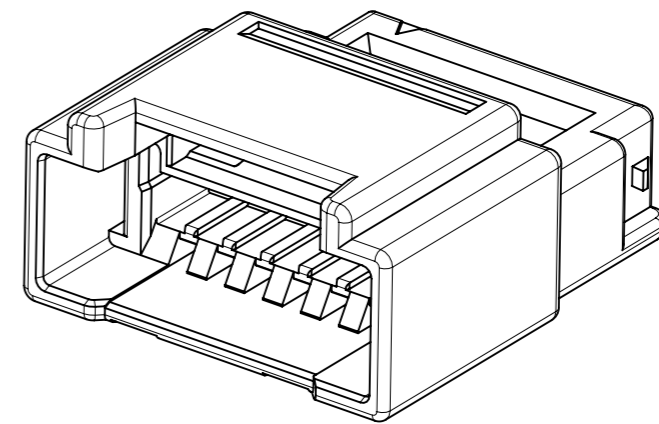
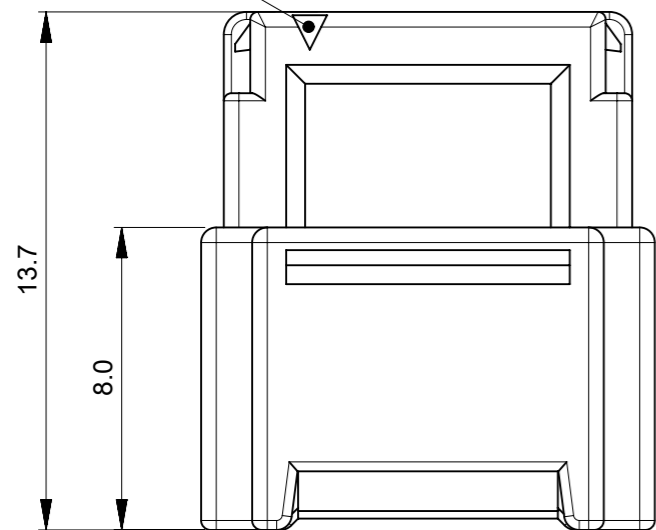


回路番号1マーク
CIRCUIT 1 MARK



注記 NOTE

- ① 材料：TABLE 1参照
MATERIAL：SEE TABLE 1.
- ② 偶数極に適用。
APPLY TO EVEN CIRCUIT.
- ③ 製品仕様書、コネクタ取扱説明書、適合嵌合相手、適合端子、
適合リテーナーはSHEET 3をご参照ください。
PLEASE REFER TO SHEET 3 FOR PRODUCT SPECIFICATION,
APPLICATION SPECIFICATION, MATE WITH,
APPLICABLE CRIMP TERMINAL, APPLICABLE RETAINER.
- ④ 発注番号：SHEET 3 参照
ORDER NUMBER：PLEASE REFER TO SHEET 3

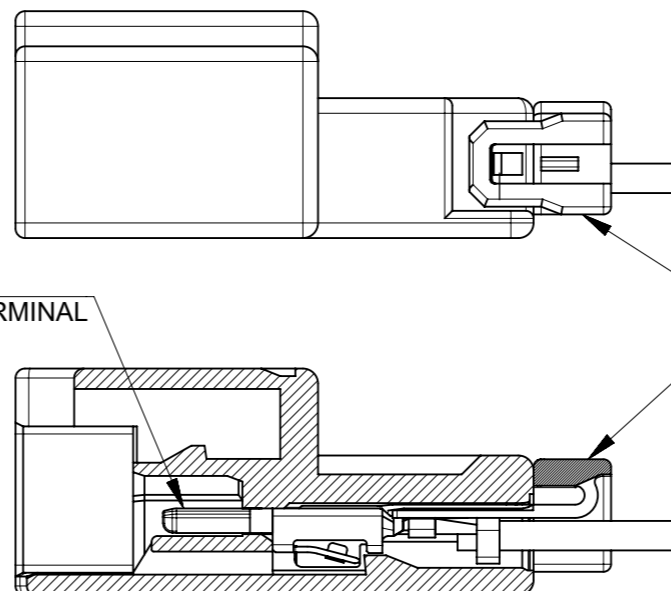
2145252***

極数
CIRCUIT SIZE

| 番号 NO. | ハウジングカラー HOUSING COLOR |
|-----------|----------------------------|
| 0 | ナチュラル(白) NATURAL(WHITE) |
| 1 | 黒 BLACK |
| 2 | 赤 RED |
| 3 | 黄 YELLOW |
| 4 | 青 BLUE |

圧着端子
CRIMP TERMINAL

リテーナー
RETAINER



圧着端子 & リテーナー 装着図
CRIMP TERMINAL & RETAINER
ASSEMBLY DRAWING

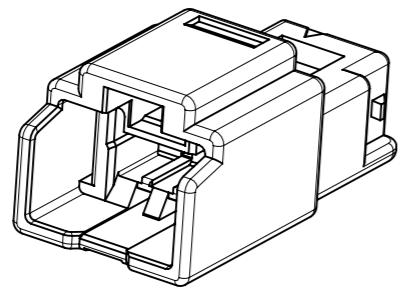
| | | |
|------|-------|--------------------|
| 10 | 15.75 | 9 |
| 8.75 | 14.5 | 8 |
| 7.5 | 13.25 | 7 |
| 6.25 | 12 | 6 |
| 5 | 10.75 | 5 |
| 3.75 | 9.5 | 4 |
| 2.5 | 8.25 | 3 |
| 1.25 | 7 | 2 |
| B | A | 極数 CIRCUIT SIZE |

| DIMENSION UNITS | | SCALE | | CURRENT REV DESC: | | | | molex | | | | | | | |
|---------------------------------------|-----|--|--|------------------------|--|-------------|--|---|--|-----------------|--|----------|--|--------------|--|
| mm | NTS | | | | | | | | | | | | | | |
| GENERAL TOLERANCES (UNLESS SPECIFIED) | | | | | | | | MICRO-LOCK PLUS 1.25 W/W SINGLE ROW PLUG HOUSING | | | | | | | |
| ANGULAR TOL ± 3.0° | | | | | | | | | | | | | | | |
| 4 PLACES ± 0.2 | | EC NO: 736271 | | DRWN: SOKUMURA01 | | 2022/12/27 | | PRODUCT CUSTOMER DRAWING | | | | | | | |
| 3 PLACES ± 0.2 | | CHK'D: SAKIYAMA | | APPR: AIDA | | 2023/02/16 | | | | | | | | | |
| 2 PLACES ± 0.2 | | INITIAL REVISION: | | DRWN: TENAGASE | | 2020/08/17 | | DOCUMENT NUMBER 2145250000-SD | | | | | | | |
| 1 PLACE ± 0.2 | | APPR: AIDA | | APPR: AIDA | | 2022/07/04 | | | | | | | | | |
| 0 PLACES ± 0.2 | | DRAFT WHERE APPLICABLE MUST REMAIN WITHIN DIMENSIONS | | THIRD ANGLE PROJECTION | | DRAWING | | SERIES | | MATERIAL NUMBER | | CUSTOMER | | SHEET NUMBER | |
| | | A3-SIZE | | 214525 | | SEE SHEET 3 | | GENERAL | | 1 OF 3 | | | | | |

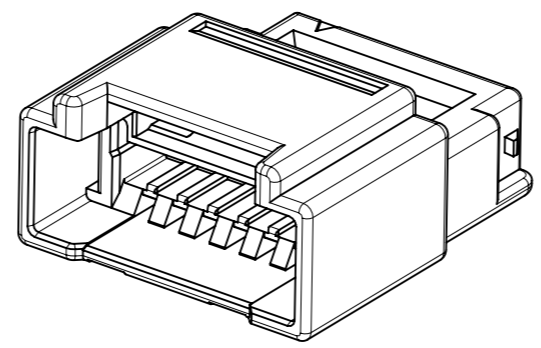
TABLE 1

| 部品 PART | 材質 MATERIAL |
|------------------|--|
| ハウジング HOUSING | ポリアミド(PA), UL94 V-0, 色: SHEET3参照 POLYAMIDE(PA), UL94 V-0, COLOR: SEE SHEET 3. |
| DOCUMENT STATUS | P1 |
| RELEASE DATE | 2023/02/16 15:22:36 |

製品形状
PRODUCT SHAPE

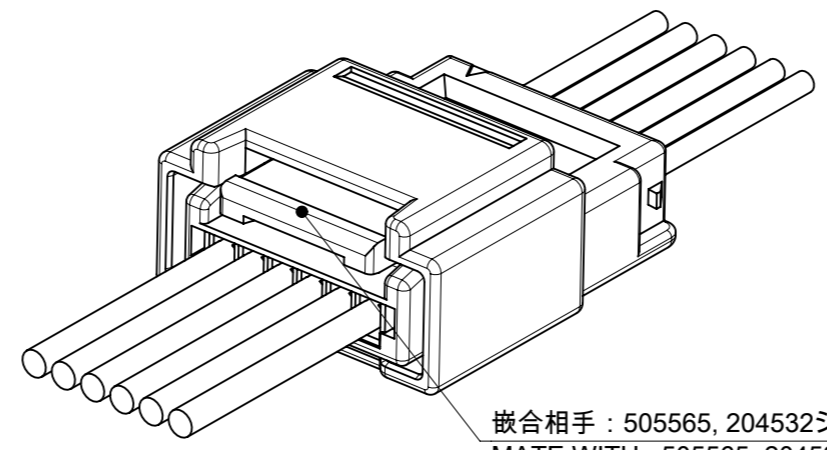
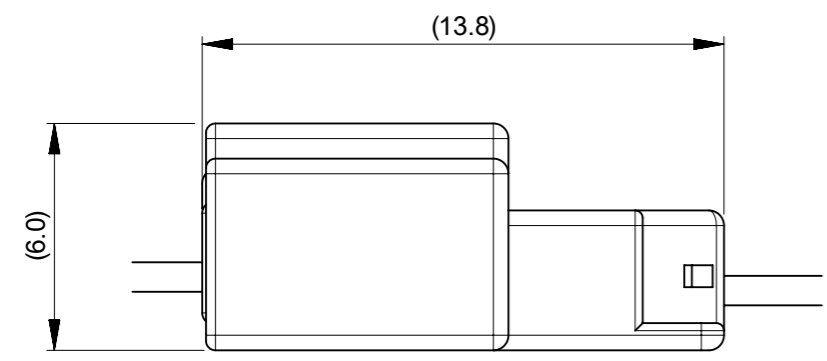


2-4極
2-4 CIRCUIT

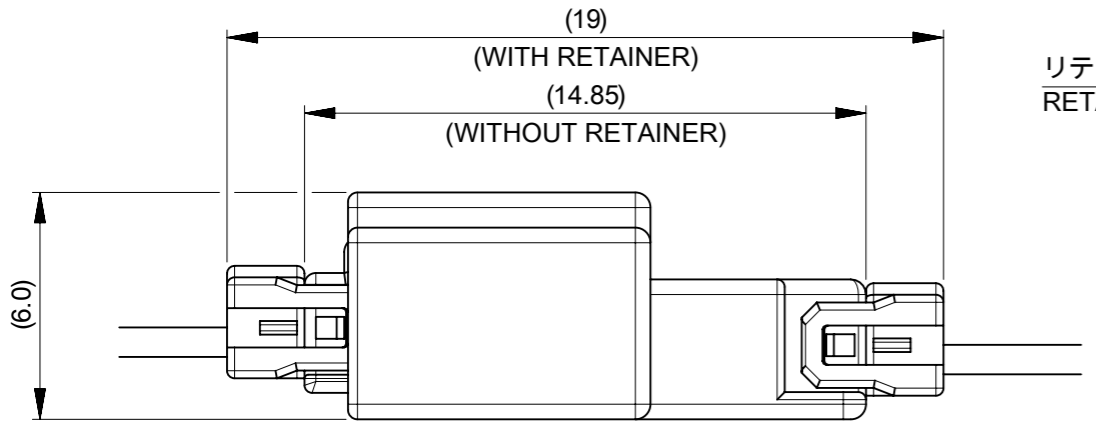


5-9極
5-9 CIRCUIT

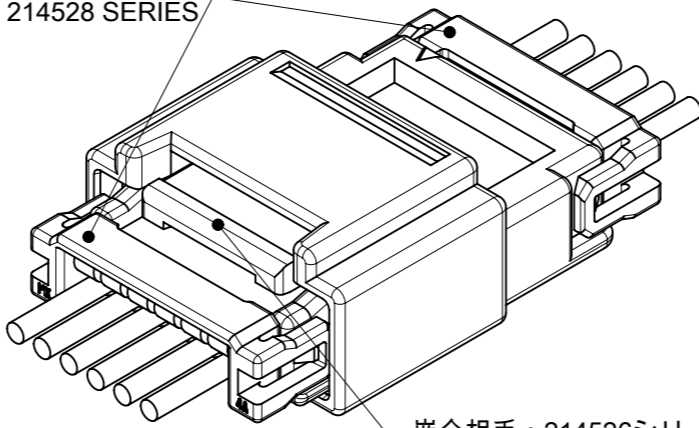
嵌合図
MATED CONNECTORS



嵌合相手 : 505565, 204532シリーズ
MATE WITH : 505565, 204532 SERIES



リテーナー : 214528シリーズ
RETAINER : 214528 SERIES



嵌合相手 : 214526シリーズ
MATE WITH : 214526 SERIES

| | | | | | | | | | |
|---|--|---------|--|--|--|------------|--|-----------------|--|
| THIS DRAWING CONTAINS INFORMATION THAT IS PROPRIETARY TO MOLEX ELECTRONIC TECHNOLOGIES, LLC AND SHOULD NOT BE USED WITHOUT WRITTEN PERMISSION | | | | | | | | | |
| DIMENSION UNITS | | SCALE | | CURRENT REV DESC: | | | | | |
| mm | | NTS | | <div style="text-align: center; font-size: 24pt; font-weight: bold;">molex</div> <p>MICRO-LOCK PLUS 1.25 W/W SINGLE ROW PLUG HOUSING</p> <p>PRODUCT CUSTOMER DRAWING</p> | | | | | |
| GENERAL TOLERANCES (UNLESS SPECIFIED) | | | | | | | | | |
| ANGULAR TOL | | ± 3.0 ° | | | | | | | |
| 4 PLACES | | ± 0.2 | | | | | | | |
| 3 PLACES | | ± 0.2 | | | | | | | |
| 2 PLACES | | ± 0.2 | | EC NO: 736271 | | 2022/12/27 | | DOCUMENT NUMBER | |
| 1 PLACE | | ± 0.2 | | DRWN: SOKUMURA01 | | 2023/02/16 | | 2145250000-SD | |
| 0 PLACES | | ± 0.2 | | CHK'D: SAKIYAMA | | 2023/02/16 | | PSD 000 C | |
| DRAFT WHERE APPLICABLE MUST REMAIN WITHIN DIMENSIONS | | | | THIRD ANGLE PROJECTION | | DRAWING | | SERIES | |
| | | | | | | A3-SIZE | | 214525 | |
| | | | | MATERIAL NUMBER | | CUSTOMER | | SHEET NUMBER | |
| | | | | SEE SHEET 3 | | GENERAL | | 2 OF 3 | |

△ 3 適合製品及び各種仕様書 APPLICABLE PRODUCTS AND VARIOUS SPECIFICATIONS

| | |
|----------------------------------|-----------------------|
| 梱包仕様書 PACKAGING SPECIFICATION | 2145259200-SPK PS 200 |
|----------------------------------|-----------------------|


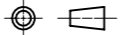
| | | | |
|-------------------------------------|-------------|--------------|----------------|
| 適合プラグ端子 APPLICABLE PLUG TERMINAL | PART NUMBER | PLATING TYPE | WIRE SIZE(AWG) |
| | 2145241000 | TIN | #26-30 |

| | |
|--------------------------------|---------------|
| 適合リテーナー APPLICABLE RETAINER | SERIES NUMBER |
| | 214528 |

| | | | | | |
|--|-------------------------|----------------------|-------------|-------------------------------|--------------------------------------|
| 適合嵌合相手 MATE WITH | タイプ TYPE | NORMAL | LOW HALOGEN | TPA (RETAINER) | |
| | シリーズ番号 SERIES NUMBER | 505565 | 204532 | 214526 | |
| ローハロゲン対応 LOW HALOGEN COMPLIANT | | NOT COMPLIANT | COMPLIANT | COMPLIANT (NATURAL, BLACK) | NOT COMPLIANT (RED, YELLOW, BLUE) |
| 製品仕様書 PRODUCT SPECIFICATION | | 5055650003-PS PS 000 | | 2145260002-PS PS 000 | |
| コネクタ取扱説明書 APPLICATION SPECIFICATION | | 5055650000-AS PS 000 | | | |

△ 4 2145252*** 発注番号一覧 ORDER NUMBER LIST

| BLUE | YELLOW | RED | BLACK | NATURAL (WHITE) | HOUSING COLOR |
|---|---------------|---------------|------------|--------------------|--------------------------|
| NOT COMPLIANT | NOT COMPLIANT | NOT COMPLIANT | COMPLIANT | COMPLIANT | LOW HALOGEN COMPLIANT |
| 2145252094 | 2145252093 | 2145252092 | 2145252091 | 2145252090 | 9 |
| 2145252084 | 2145252083 | 2145252082 | 2145252081 | 2145252080 | 8 |
| 2145252074 | 2145252073 | 2145252072 | 2145252071 | 2145252070 | 7 |
| 2145252064 | 2145252063 | 2145252062 | 2145252061 | 2145252060 | 6 |
| 2145252054 | 2145252053 | 2145252052 | 2145252051 | 2145252050 | 5 |
| 2145252044 | 2145252043 | 2145252042 | 2145252041 | 2145252040 | 4 |
| 2145252034 | 2145252033 | 2145252032 | 2145252031 | 2145252030 | 3 |
| 2145252024 | 2145252023 | 2145252022 | 2145252021 | 2145252020 | 2 |
| 発注番号 ORDER NUMBER | | | | | 極数 CIRCUIT SIZE |
| 梱包形態 : ポリ袋 PACKAGING : POLYBAG PACKAGE | | | | | |

| | | | | | | | | | |
|---|-------|---|---------|--------|--|----------|--------------|--|--|
| THIS DRAWING CONTAINS INFORMATION THAT IS PROPRIETARY TO MOLEX ELECTRONIC TECHNOLOGIES, LLC AND SHOULD NOT BE USED WITHOUT WRITTEN PERMISSION | | | | | | | | | |
| DIMENSION UNITS | SCALE | CURRENT REV DESC: | | |  MICRO-LOCK PLUS 1.25 W/W SINGLE ROW PLUG HOUSING | | | | |
| mm | NTS | | | | | | | | |
| GENERAL TOLERANCES (UNLESS SPECIFIED) | | EC NO: 736271 | | | DOCUMENT NUMBER | | | | |
| ANGULAR TOL ± 3.0 ° | | DRWN: SOKUMURA01 2022/12/27 | | | 2145250000-SD | | | | |
| 4 PLACES ± 0.2 | | CHK'D: SAKIYAMA 2023/02/16 | | | DOC TYPE | | | | |
| 3 PLACES ± 0.2 | | APPR: AIDA 2023/02/16 | | | PSD | | | | |
| 2 PLACES ± 0.2 | | INITIAL REVISION: | | | DOC PART | | | | |
| 1 PLACE ± 0.2 | | DRWN: TENAGASE 2020/08/17 | | | 000 | | | | |
| 0 PLACES ± 0.2 | | APPR: AIDA 2022/07/04 | | | C | | | | |
| DRAFT WHERE APPLICABLE MUST REMAIN WITHIN DIMENSIONS | | THIRD ANGLE PROJECTION | DRAWING | SERIES | MATERIAL NUMBER | CUSTOMER | SHEET NUMBER | | |
| | |  | A3-SIZE | 214525 | SEE CHART | GENERAL | 3 OF 3 | | |