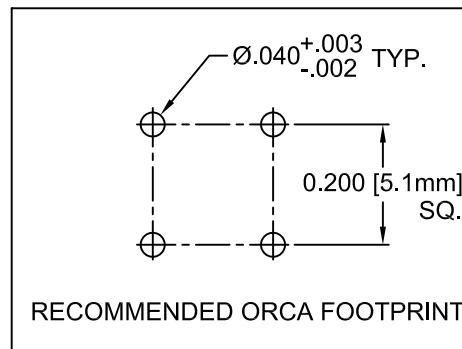
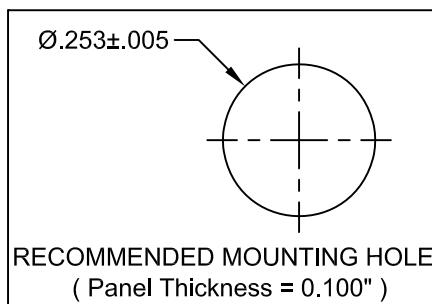
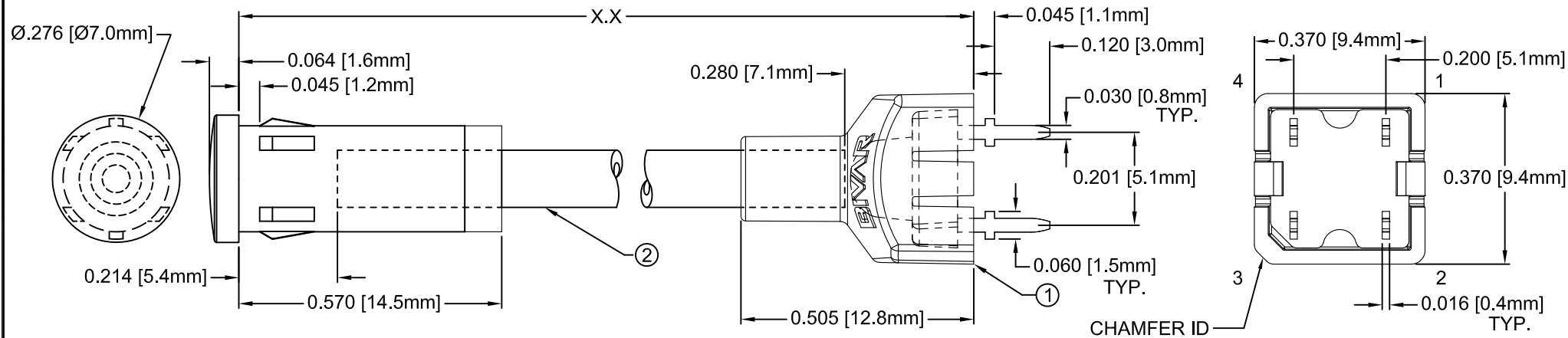


| ITEM | Q'TY | PART NUMBER | PART DESCRIPTION |
|------|------|-------------|--|
| 1 | 1 | ORFLP2-XXX | 2mm Flexible Light Pipe ORCA Adapter w/ LED |
| 2 | 1 | FLP25-XX.X | Flexible Light Pipe Lens Cap Assembly, 7mm Round |

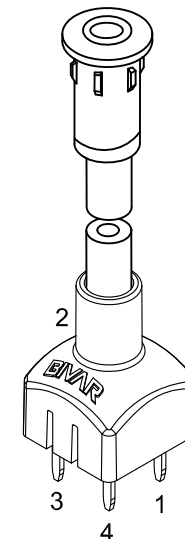
| REV. | DESCRIPTION | DATE | APPROVED |
|------|--------------------------------|----------|----------|
| A | Engineering Release. | 09/14/09 | T. Y. |
| B | Updated Table For Length "X.X" | 11/14/12 | T. Y. |
| | | | |
| | | | |



| "X.X" * | Tolerance |
|------------------|-----------|
| 1.1" ~ 16.0" | ±0.050" |
| 16.1" ~ 40.0" | ±0.15" |
| 40.1" ~ 80.0" | ±0.30" |
| 80.1" ~ 3,940.0" | ±0.5% |

* Available in 0.1" increments only

NOTE: ORFLP2-XXX ADAPTER SHIPPED SEPARATELY



SEE PAGE 2 FOR POLARITY

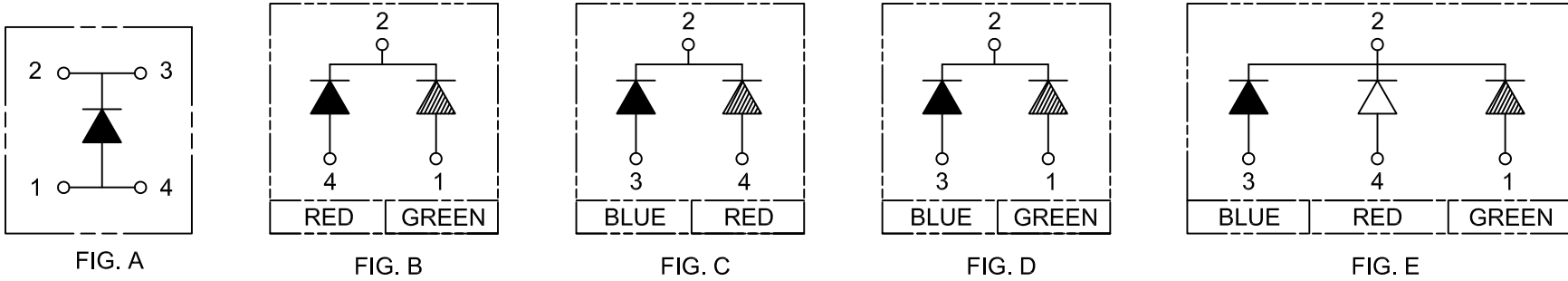
ABSOLUTE MAXIMUM RATINGS (Ta=25°C)

| | |
|--|---------------------|
| REVERSE VOLTAGE _____ | 5V |
| REVERSE CURRENT _____ | 10uA |
| OPERATING TEMPERATURE RANGE _____ | -25°C ~ +80°C |
| STORAGE TEMPERATURE _____ | -30°C ~ +80°C |
| LEAD SOLDERING TEMPERATURE (1/16" FROM BODY) _____ | 260°C FOR 5 SECONDS |

| | | |
|--|-----------------------|---|
| STANDARD TOLERANCE (UNLESS OTHERWISE SPECIFIED) | | BIVAR [®] 4 THOMAS, IRVINE, CA. 92618 TEL: (949) 951-8808 FAX: (949) 951-3974 |
| DECIMALS | ANGULAR | |
| .X ±.2 | X° ± 1° | |
| .XX ±.02 | | TITLE: 2mm FLP ORCA ASSEMBLY, 7mm ROUND LENS CAP |
| .XXX ±.010 | | |
| DESIGNED: Raffy Paje | DATE: 09/14/09 | PART NO: R25-X.X-XXX |
| CHECKED: F. Jensen | DATE: 09/14/09 | |
| | | CAGE CODE : 32559 |
| | | SHEET # 1 OF 2 |
| <small>CAD GENERATED DOCUMENT, DO NOT MEASURE DRAWING.</small> | | |

| REV. | DESCRIPTION | DATE | APPROVED |
|------|--------------|------|----------|
| | SEE SHEET #1 | | |
| | | | |
| | | | |
| | | | |

| Assy P/N | LED P/N | Emitted Color | Dominant Length λ_d (nm) / CCT (K) | Lens Appearance | Absolute Max. Ratings | | | Vf (V) | | | Iv (mcd) | | Viewing Angle $2\theta_{1/2}$ (Deg) | POLARITY DIAGRAM |
|---|---------------|---------------|--|-----------------|-----------------------|---------|--------------|--------|-----|-----|----------|------|-------------------------------------|------------------|
| | | | | | Pd (mW) | If (mA) | Peak If (mA) | MIN | TYP | MAX | MIN | TYP | | |
| | | | | | | | | | | | | | | |
| SINGLE COLOR LED ASSEMBLIES (20mA) | | | | | | | | | | | | | | |
| R25-X.X-BLU | R20BLU-4-0045 | BLUE | 465 - 475 | WATER CLEAR | 220 | 50 | 100 | 3.0 | 3.4 | 3.8 | 1000 | 1500 | 45 | FIG. A |
| R25-X.X-GRN | R20GRN-4-0045 | GREEN | 516 - 526 | | 220 | 50 | 100 | 3.0 | 3.4 | 3.8 | 6000 | 8000 | 45 | FIG. A |
| R25-X.X-WHT | R20WHT-4-0045 | WHITE | 6000K | | 220 | 50 | 100 | 3.0 | 3.4 | 3.8 | 6000 | 8000 | 45 | FIG. A |
| SINGLE COLOR LED ASSEMBLIES (50mA) | | | | | | | | | | | | | | |
| R25-X.X-RED | R50RED-4-0045 | RED | 620 - 635 | WATER CLEAR | 140 | 80 | 160 | 2.0 | 2.4 | 2.8 | 5000 | 6000 | 45 | FIG. A |
| R25-X.X-YLW | R50YLW-4-0045 | YELLOW | 588 - 594 | | 140 | 80 | 160 | 2.0 | 2.4 | 2.8 | 5000 | 6000 | 45 | FIG. A |
| BI-COLOR LED ASSEMBLIES (50mA) | | | | | | | | | | | | | | |
| R25-X.X-RG | R50RG2-4-0045 | RED | 620 - 635 | WATER CLEAR | 150 | 80 | 160 | 2.2 | 2.6 | 3.0 | 3000 | 4000 | 45 | FIG. B |
| | | GREEN | 515 - 525 | | 220 | 80 | 150 | 3.4 | 3.8 | 4.4 | 4000 | 5000 | | |
| R25-X.X-RB | R50RB2-4-0045 | RED | 620 - 635 | WATER CLEAR | 150 | 80 | 160 | 2.2 | 2.6 | 3.0 | 3000 | 4000 | 45 | FIG. C |
| | | BLUE | 460 - 470 | | 220 | 80 | 150 | 3.4 | 3.8 | 4.4 | 200 | 400 | | |
| R25-X.X-BG | R50BG2-4-0045 | BLUE | 460 - 470 | WATER CLEAR | 220 | 80 | 150 | 3.4 | 3.8 | 4.4 | 200 | 400 | 45 | FIG. D |
| | | GREEN | 515 - 525 | | 220 | 80 | 150 | 3.4 | 3.8 | 4.4 | 4000 | 5000 | | |
| R25-X.X-RGB | R50RGB-4-0045 | RED | 620 - 635 | WATER CLEAR | 150 | 80 | 160 | 2.2 | 2.6 | 3.0 | 3000 | 4000 | 45 | FIG. E |
| | | GREEN | 515 - 525 | | 220 | 80 | 150 | 3.4 | 3.8 | 4.4 | 4000 | 5000 | | |
| | | BLUE | 460 - 470 | | 220 | 80 | 150 | 3.4 | 3.8 | 4.4 | 200 | 400 | | |



NOTES:
1. INDIVIDUAL LED P/N DATA AVAILABLE @ WWW.BIVAR.COM.

| | | | |
|--|--|---|--|
| STANDARD TOLERANCE (UNLESS OTHERWISE SPECIFIED) | | BIVAR [®] 4 THOMAS, IRVINE, CA. 92618 TEL: (949) 951-8808 FAX: (949) 951-3974 | |
| DECIMALS ANGULAR | | | |
| DESIGNED: Raffy Paje | | DATE: 09/14/09 | |
| | | REVISION: B | |
| CHECKED: F. Jensen | | DATE: 09/14/09 | |
| | | TITLE: 2mm FLP ORCA ASSEMBLY, 7mm ROUND LENS CAP | |
| CAGE CODE : 32559 | | SHEET # 2 OF 2 | |
| CAD GENERATED DOCUMENT, DO NOT MEASURE DRAWING. | | | |