

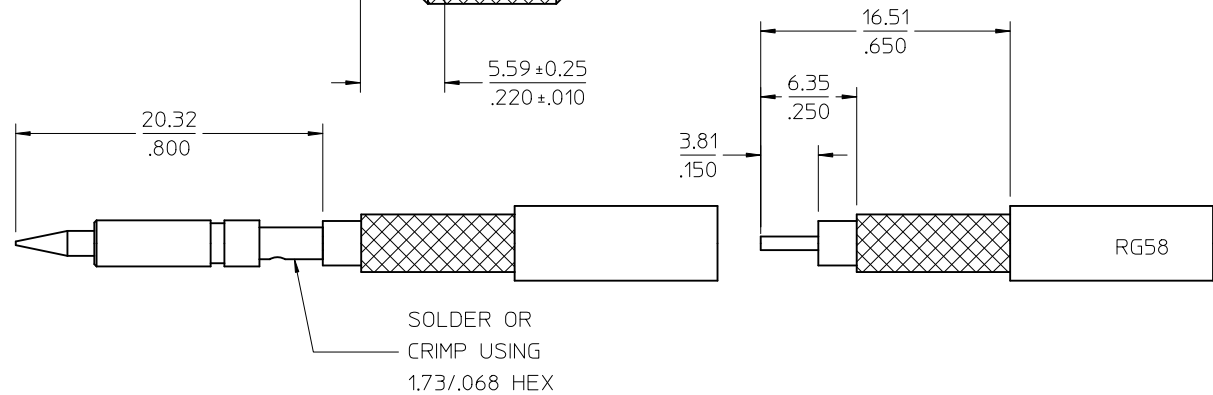
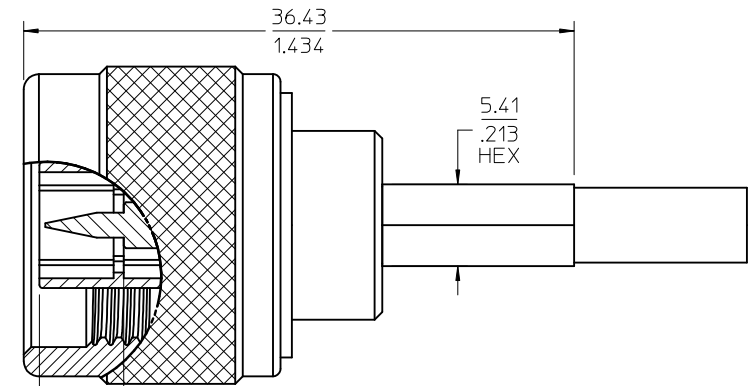
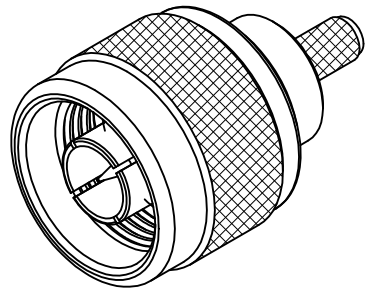
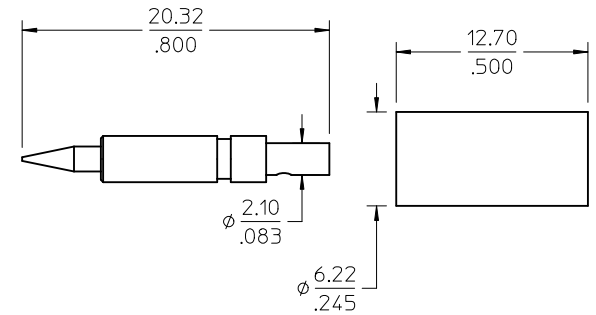
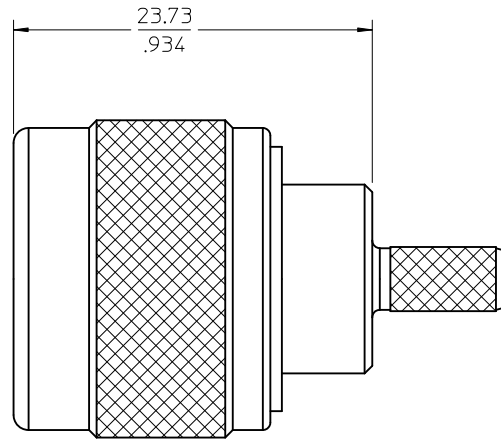
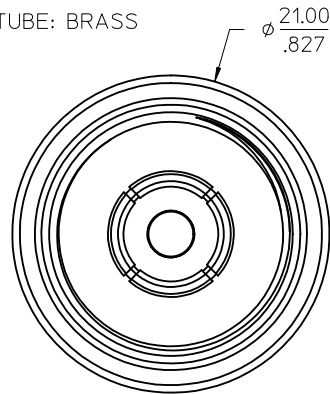
MATERIALS AND FINISHES

BODY, OUTER CONTACT, C'NUT, CRIMP TUBE: BRASS  
PLATED NICKEL

CONTACT: BRASS  
PLATED GOLD

GASKET: SILICONE RUBBER

SNAP RING: PHOSPHOR BRONZE



SOLDER OR  
CRIMP USING  
1.73/.068 HEX

73276-2360	1 PIECE 73100-0042 PER BAG
73100-0042	STANDARD
PART NO.	PACKAGING

PS-89675-3220	PRODUCT SPECIFICATION
MIL-STD-348A, FIG. 304.1	INTERFACE
SPECIFICATION	DESCRIPTION

CHG: REDREW IN SD.  
ADDED P/N  
73276-2360  
FOR SINGLE BAG  
OPTION. ADDED  
ASSY INSTRS.

EC NO: URF2011-0569  
DRAWN: AROBERTSON 2011/03/31  
CHKD: SSS 2011/03/31  
APPR: JWIENER 2011/03/31

REV	DESCRIPTION
B1	

QUALITY SYMBOLS	GENERAL TOLERANCES (UNLESS SPECIFIED)
▽=0	mm INCH
▽=0	4 PLACES ± --- ± ---
	3 PLACES ± --- ± ---
	2 PLACES ± --- ± ---
	1 PLACE ± --- ± ---
	ANGULAR ± 2 °
	DRAFT WHERE APPLICABLE MUST REMAIN WITHIN DIMENSIONS

DIMENSION STYLE		SCALE	DESIGN UNITS	THIRD ANGLE PROJECTION
MM/IN			INCH	
DRAWN BY	DATE	TITLE		
AROBERTSON	2011/03/31	N PLUG STRAIGHT 50 OHM FOR RG58 CABLE N-PC		
CHECKED BY	DATE	MATERIAL NO.		
SSS	2011/03/31	SEE TABLE		
APPROVED BY	DATE	DOCUMENT NO.		
JWIENER	2011/03/31	SD-73100-0042		
SIZE		SHEET NO.		
C		1 OF 1		

THIS DRAWING CONTAINS INFORMATION THAT IS PROPRIETARY TO MOLEX INCORPORATED AND SHOULD NOT BE USED WITHOUT WRITTEN PERMISSION

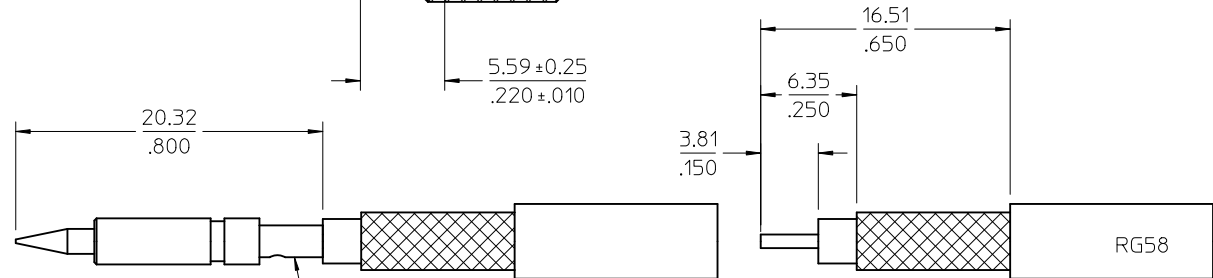
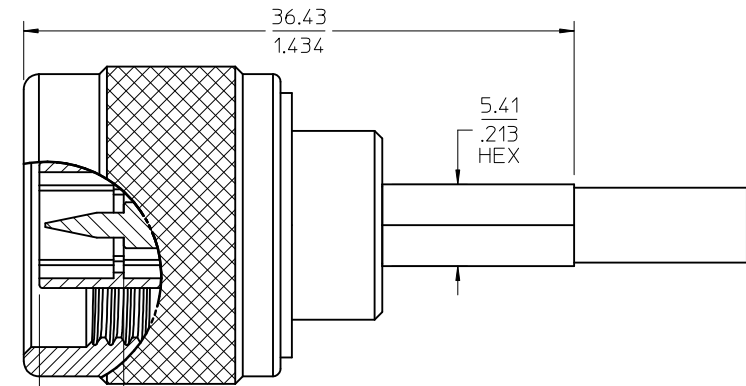
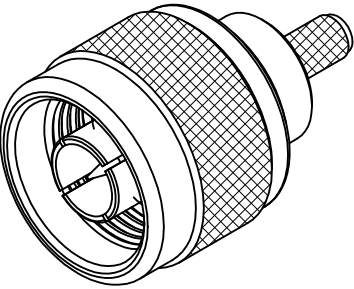
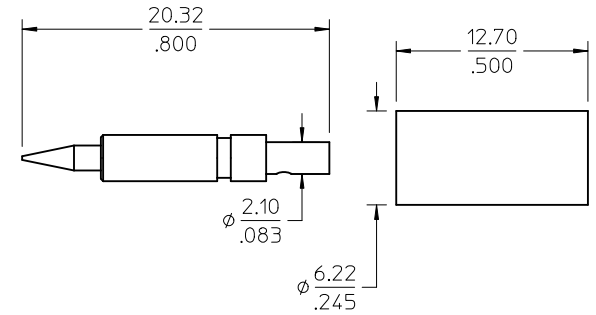
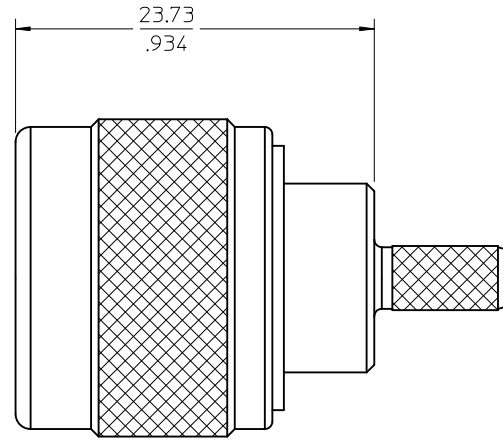
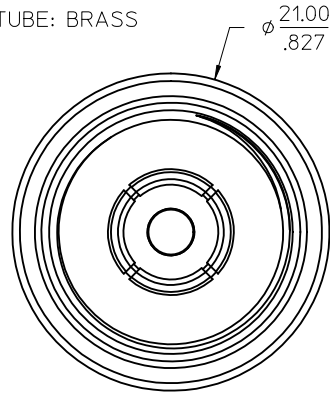
MATERIALS AND FINISHES

BODY, OUTER CONTACT, C'NUT, CRIMP TUBE: BRASS  
PLATED NICKEL

CONTACT: BRASS  
PLATED GOLD

GASKET: SILICONE RUBBER

SNAP RING: PHOSPHOR BRONZE



SOLDER OR  
CRIMP USING  
1.73/.068 HEX

73276-2360	1 PIECE 73100-0042 PER BAG
73100-0042	STANDARD
PART NO.	PACKAGING

PS-89675-3220	PRODUCT SPECIFICATION
MIL-STD-348A, FIG. 304.1	INTERFACE
SPECIFICATION	DESCRIPTION

CHG: RELEASE  
DRAWING.

EC NO: URF2011-0569

DRWN: AROBERTSON 2011/03/31

CHKD: SSS 2011/03/31

APPR: JWIENER 2011/03/31

REV	DESCRIPTION
A	

QUALITY SYMBOLS

▽=0

▽=0

ANGULAR ± 2 °

DRAFT WHERE APPLICABLE  
MUST REMAIN  
WITHIN DIMENSIONS

GENERAL TOLERANCES  
(UNLESS SPECIFIED)

	mm	INCH
4 PLACES ±	---	---
3 PLACES ±	---	---
2 PLACES ±	---	---
1 PLACE ±	---	---

MM/IN

DRAWN BY: AROBERTSON DATE: 2011/03/31

CHECKED BY: SSS DATE: 2011/03/31

APPROVED BY: JWIENER DATE: 2011/03/31

MATERIAL NO. SEE TABLE

SIZE C

DIMENSION STYLE: MM/IN

SCALE: INCH

DESIGN UNITS: INCH

THIRD ANGLE PROJECTION

TITLE: N PLUG STRAIGHT 50 OHM FOR RG58 CABLE N-PC

MOLEX MOLEX INCORPORATED

DOCUMENT NO. SD-73276-236

SHEET NO. 1 OF 1

THIS DRAWING CONTAINS INFORMATION THAT IS PROPRIETARY TO MOLEX INCORPORATED AND SHOULD NOT BE USED WITHOUT WRITTEN PERMISSION