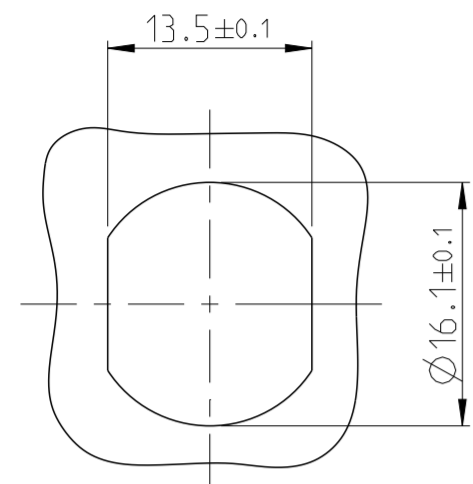
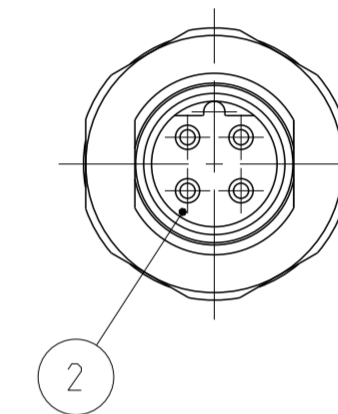
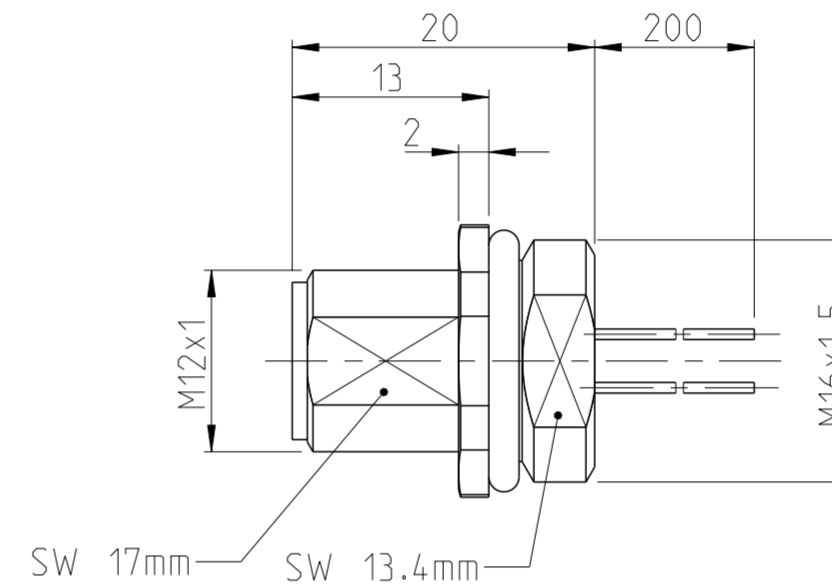
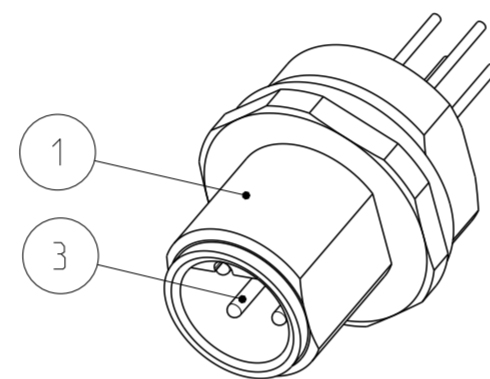


P	LTR	DESCRIPTION	DATE	DWN	APVD
	A1	DRAWING PUBLISHED	28APR2014	YR	CS

RECOMMENDED CUT-OUT

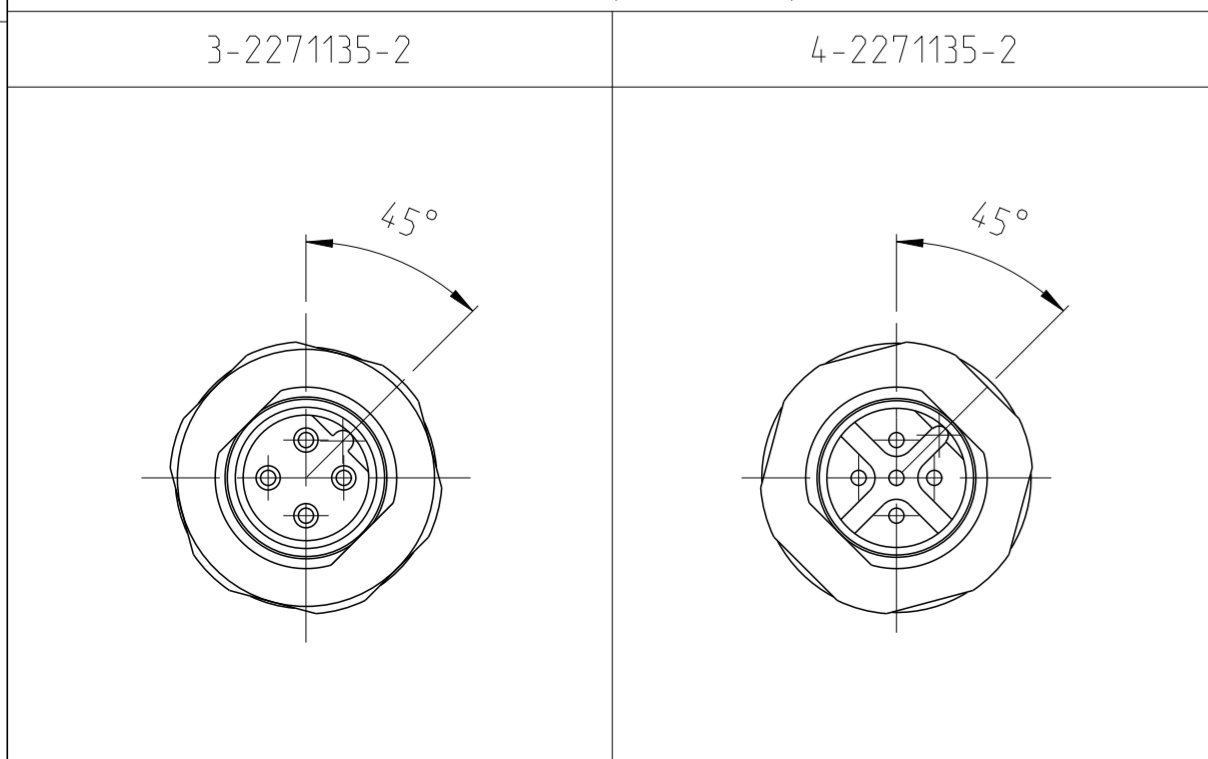


TECHNICAL DATA	3-2271135-2	4-2271135-2
RATED VOLTAGE	250V	125V
RATED IMPULSE VOLTAGE	2500V	1500V
POLLUTION DEGREE	3	3
OVERVOLTAGE CATEGORY	II	II
MATERIAL GROUP	II	II
RATED CURRENT	4A	4A
VOLUME RESISTIVITY	≤ 3mΩ	≤ 3mΩ
DEGREE OF PROTECTION	IP68	IP68
UPPER TEMPERATURE	+85 °C	+85 °C
LOWER TEMPERATURE	-40 °C	-40 °C



- 1 MATERIAL: ITEM NO. 1: HOUSING - ZINC DIECASTING, NICKEL PLATED, STAINLESS STEEL 1.4404
ITEM NO. 2: CONTACT BODY - PA
ITEM NO. 3: CONTACT - CuZn (brass)
- 2 CONTACT FINISH - Au (gold)
- 3 ALL DIMENSIONS ARE FOR NOMINAL REFERENCE ONLY UNLESS OTHERWISE STATED
- 4 MEASUREMENT REFERENCE ONLY
- 5 PACKAGING: 1 PIECE IN A BAG

PIN ARRANGEMENT B-CODING (SCALE 2:1)



3-2 AS SHOWN WIE GEZEICHNET

24 / 0.25mm ²	1 2	5	4-2271135-2
24 / 0.25mm ²	1 2	4	3-2271135-2
WIRES AWG / mm ²	MATERIAL	NUMBER OF POLES	TE-PART-NO.

DIESE ZEICHNUNG IST EIN KONTROLLIERTES DOKUMENT. BEMASSUNGEN UND TOLERANZEN GEMAESS GPS (ISO STANDARDS).

THIS DRAWING IS A CONTROLLED DOCUMENT. DIMENSIONING AND TOLERANCING PER GPS (ISO STANDARDS).

DWN YASHKUMAR 28APR2014
CHK M. STRELOW 28APR2014
APVD C. SCHREITLINGER 28APR2014

NAME M12 MALE PANEL MOUNT CONNECTOR B-CODING

SIZE A2 CAGE CODE 00779 DRAWING NO. C-2271135 RESTRICTED TO NUR FUER -

Customer Drawing /KUNDENZEICHNUNG SCALE MASSSTAB 2:1 SHEET BLATT 1 OF VON 1 REV A1

SIZE ISO 14405 (E)