

6

5

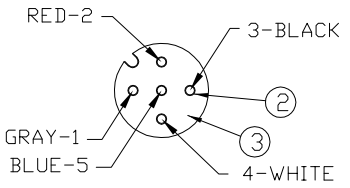
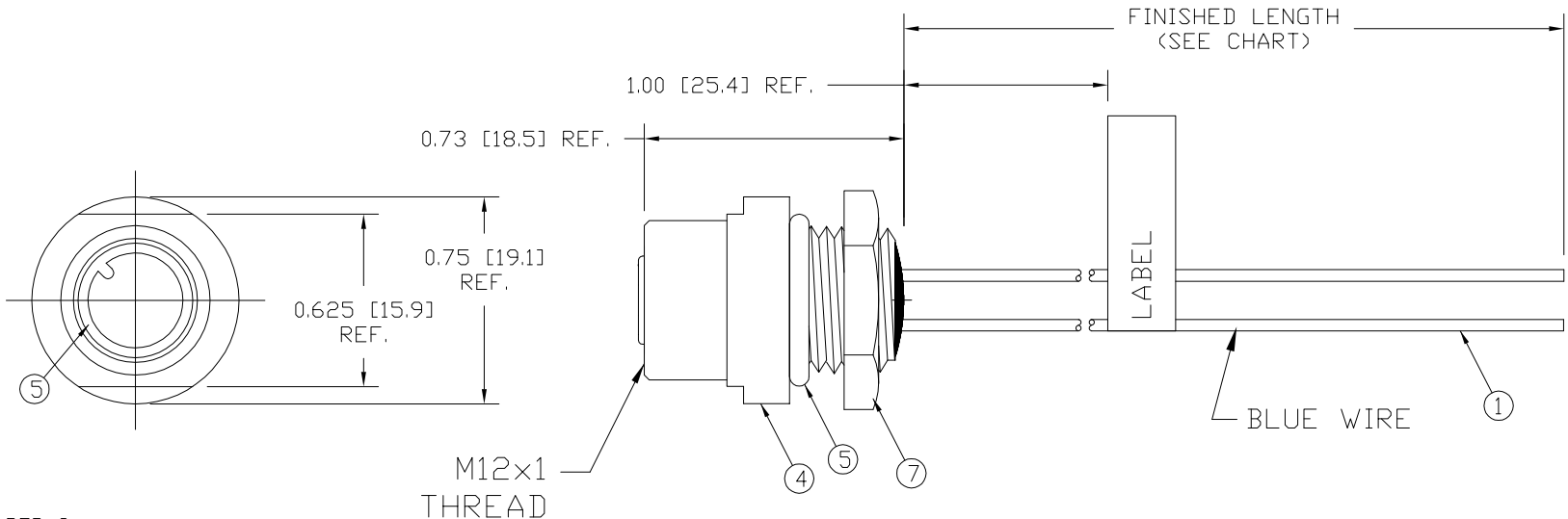
4

3

2

1

MATERIAL NUMBER	ENGINEERING NUMBER	FINISHED LENGTH
1300310023	81611	0.31M +19.1mm -0 [12" +0.75" -0]



FEMALE FACE VIEW

VOLTAGE RATING	250 VAC/VDC
AMPERAGE RATING	4 AMPS
PROTECTION	IP67
OPERATING TEMPERATURE	-20°C TO 80°C

ITEM	COMPONENT	MATERIAL	FINISH
1	WIRE	PVC	SEE PINOUT
2	CONTACT SOCKET	COPPER ALLOY	GOLD OVER NICKEL
3	INSERT	NYLON	BLACK
4	RECEPTACLE SHELL	ALUMINUM	BLACK
5	O-RING	NITRILE	BLACK
6	Q-RING	NITRILE	RED
7	PANEL NUT	STEEL	ZINC PLATED

RLSD DRAWING
 EC NO: WNA2010-0152
 DRWN: LHARTMAN 8/28/09
 CHKD: BWOODMAN 09/08/28
 APPR: JFMURPHY 2009/08/31

QUALITY SYMBOLS
 ▽=0
 ▽/C=0

GENERAL TOLERANCES (UNLESS SPECIFIED)

	mm	INCH
4 PLACES	±---	±---
3 PLACES	±---	±---
2 PLACES	±---	±.01
1 PLACE	±0.3	±---

ANGULAR ±---°

DRAFT WHERE APPLICABLE MUST REMAIN WITHIN DIMENSIONS

DIMENSION STYLE IN/MM

SCALE NTS

DESIGN UNITS INCH

THIRD ANGLE PROJECTION

DRAWN BY DATE
BWOODMAN 2009/08/28

CHECKED BY DATE
BWOODMAN 2009/08/28

APPROVED BY DATE
JFMURPHY 2009/08/28

MATERIAL NO.

SEE CHART

SIZE **A**

TITLE
**MICRO-CHANGE RECEPTACLE
 5 POLE FEMALE STRAIGHT
 #22/1 PVC WIRE LEADS**

MOLEX INCORPORATED

DOCUMENT NO. **SD-130031-002**

SHEET NO. **1 OF 1**

THIS DRAWING CONTAINS INFORMATION THAT IS PROPRIETARY TO MOLEX INCORPORATED AND SHOULD NOT BE USED WITHOUT WRITTEN PERMISSION

6

5

4

3

2

1

E

E

D

D

C

C

B

B

A

A