

THIS DRAWING IS UNPUBLISHED. RELEASED FOR PUBLICATION
 © COPYRIGHT BY TYCO ELECTRONICS CORPORATION. ALL RIGHTS RESERVED.

LOC		DIST		REVISIONS			
P	LTR	DESCRIPTION		DATE	DWN	APVD	
	C	0G3C-0588-03		14MAR07	BSV	MS	

SPECIFICATIONS:

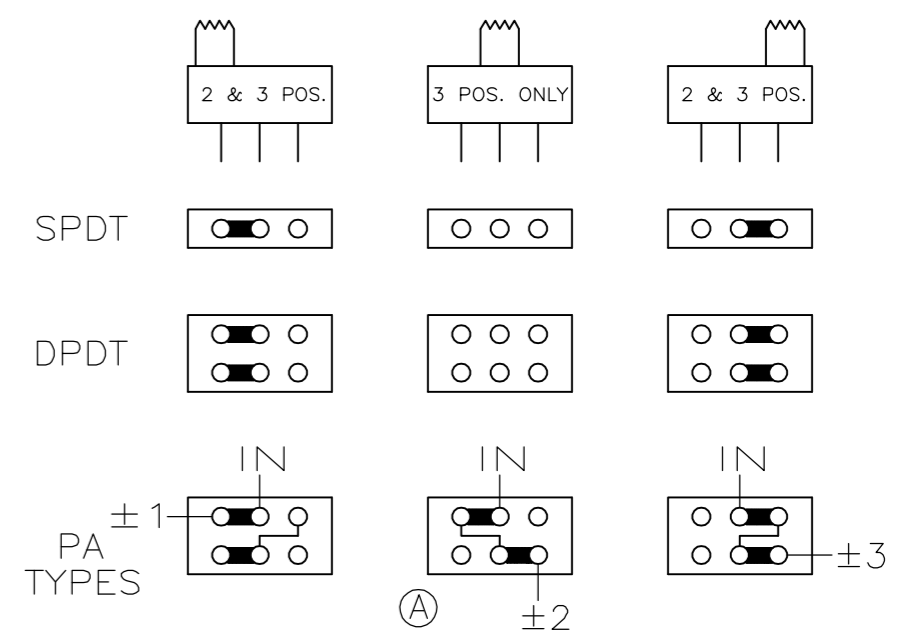
MATERIALS:
 CONTACTS: COPPER WITH GOLD PLATE OVER NICKEL PLATE.
 CASE: HIGH TEMPERATURE POLYESTER, 94V-0.
 SLIDER: POLYESTER.

ELECTRICAL:
 CONTACT RATING: 0.4 VA MAX. 20V MAX. (AC/DC).
 CONTACT RESISTANCE: 40m_Ω MAX @ 100 mV/100 mA
 DIELECTRIC STRENGTH: 1000 VOLTS RMS @ SEA LEVEL.
 INSULATION RESISTANCE: 1000 MEGOHMS @ 500 VDC.
 LIFE: 60,000 - 80,000 CYCLES.

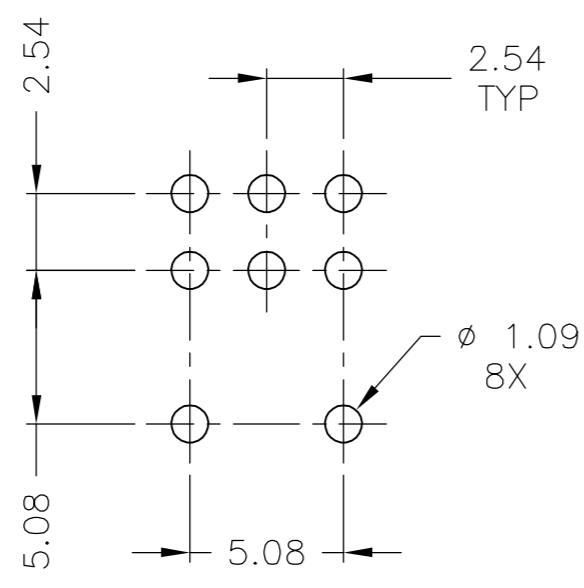
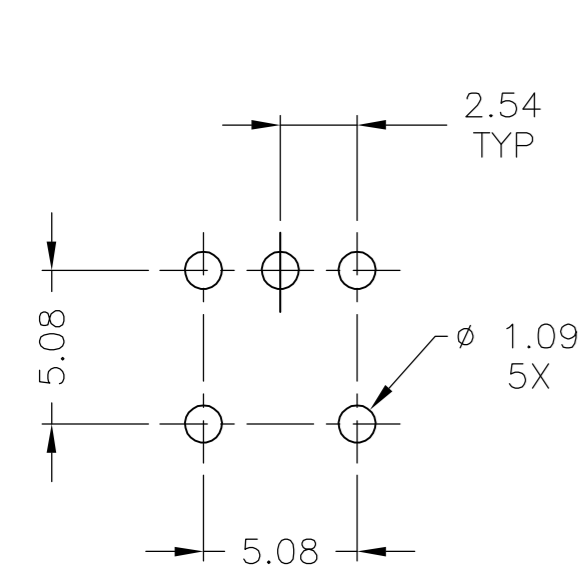
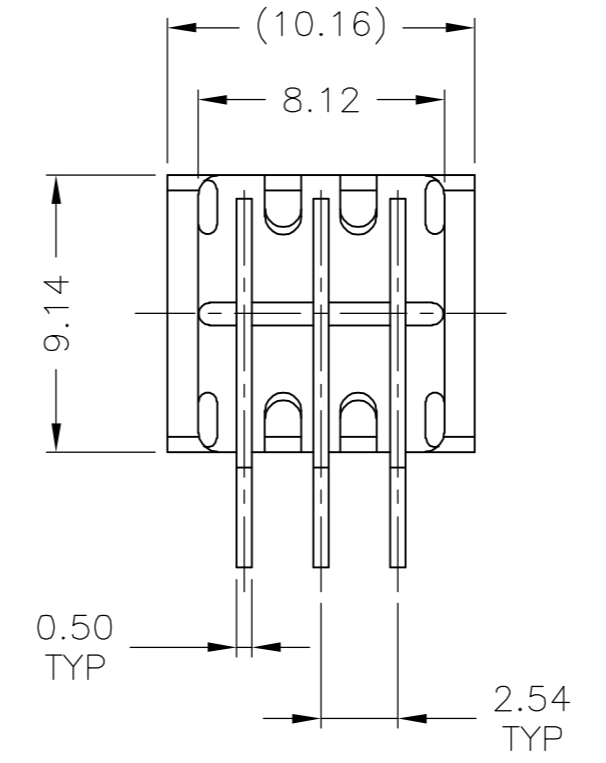
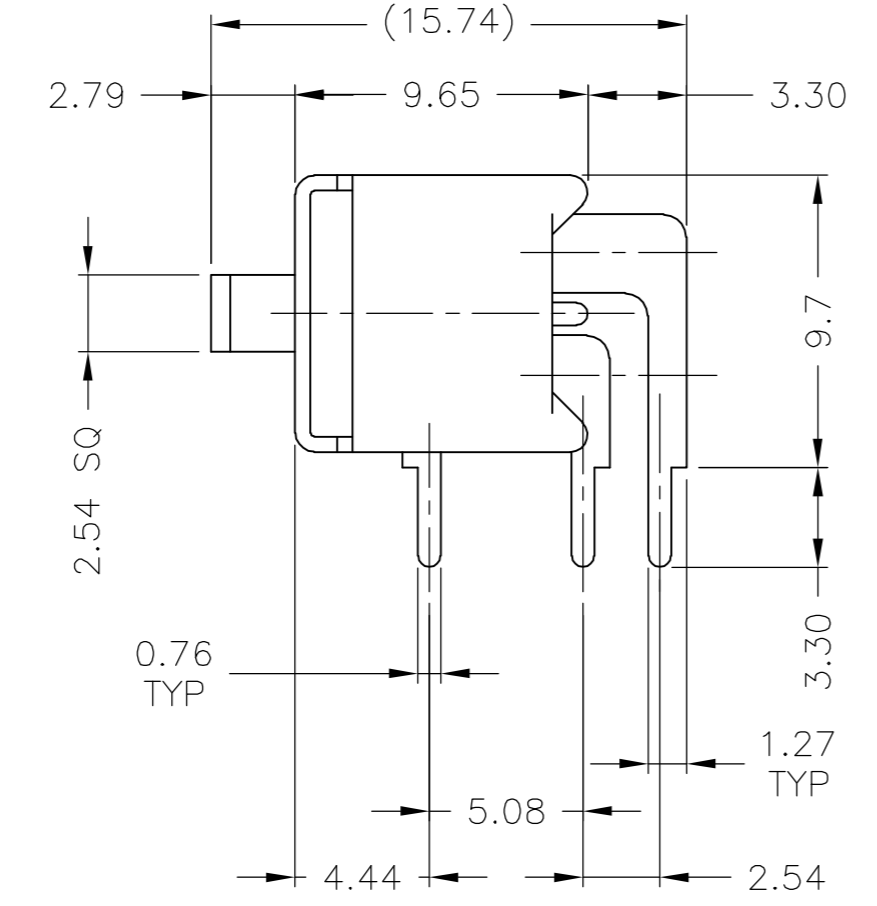
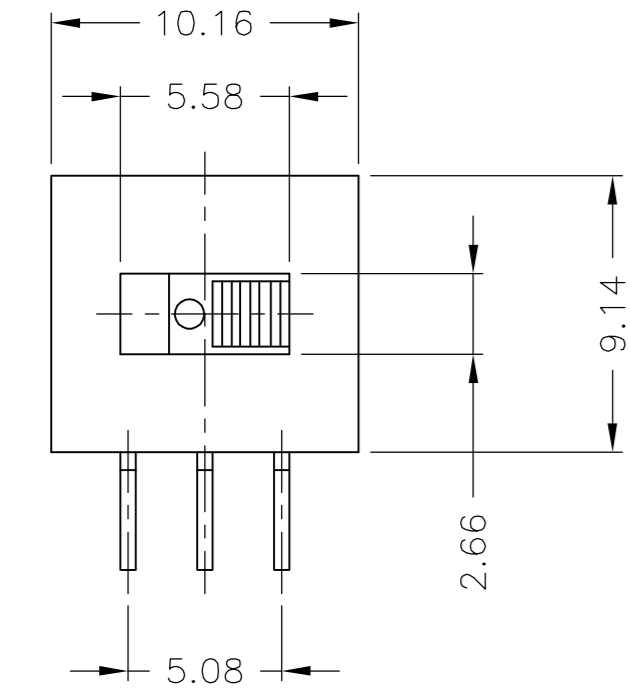
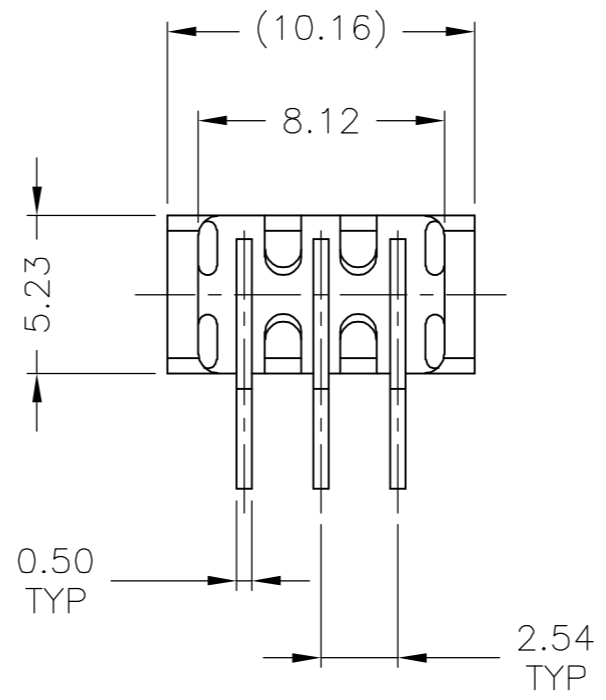
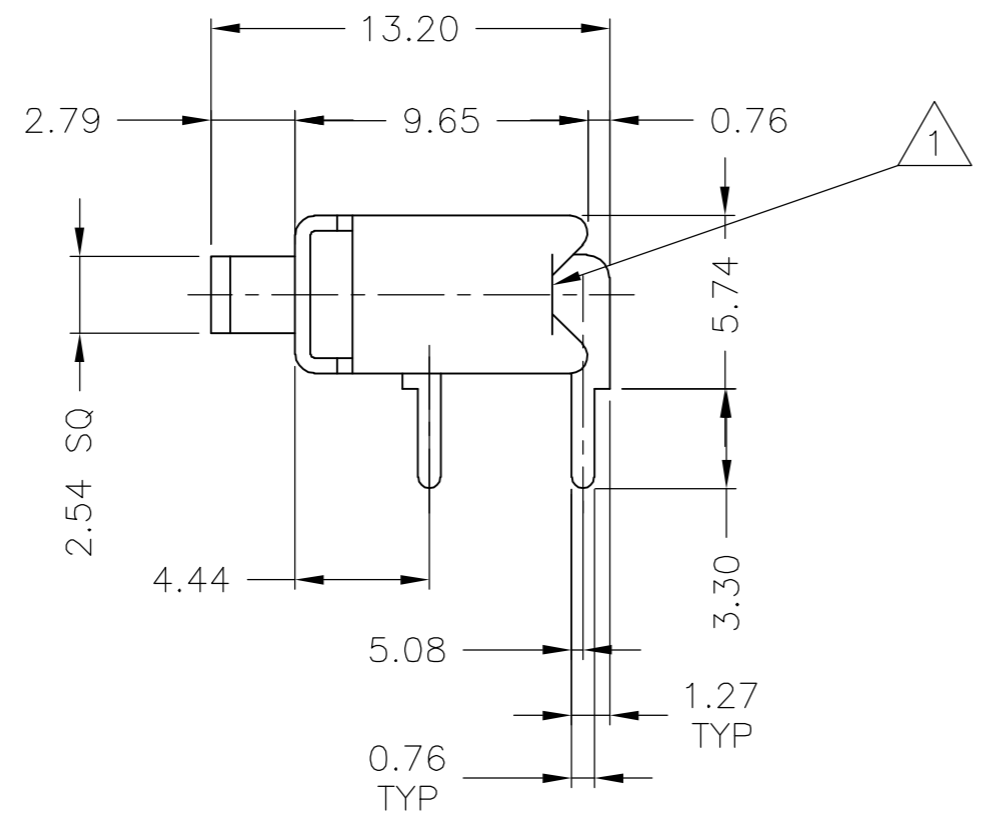
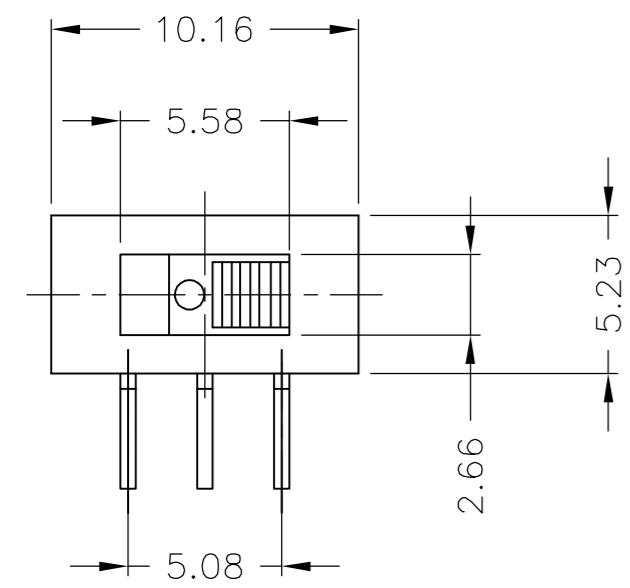
ENVIRONMENTAL:
 OPERATING TEMPERATURE: -20°C TO +80°C (-4°F TO +176°F).
 STORAGE: -20°C TO +80°C (-4°F TO +176°F).

NOTES:

- 1. EPOXY SEAL - 2-1437579-9 ONLY.
- 2. SOLDERABILITY PER EIA 364-52 CLASS 2 CATEGORY 1



TYCO PT. NO.	MODEL NO.	TYPE	POSN	ACTION
1-1437579-1	TSS11DG-RA	SPDT	2	ON-NONE-ON
1-1437579-5	TSS11EG-RA	SPDT	3	ON-OFF-ON
2-1437579-0	TSS21NG-RA	DPDT	2	ON-NONE-ON
2-1437579-4	TSS21PG-RA	DPDT	3	ON-OFF-ON
-	TSS21PAG-RA	DPDT	3	ON-ON-ON
2-1437579-9	TSS70932	SPDT	2	ON-NONE-ON



PC CUTOUT FOR SP

PC CUTOUT FOR DP

THIS DRAWING IS A CONTROLLED DOCUMENT.

DIMENSIONS: mm	TOLERANCES UNLESS OTHERWISE SPECIFIED:	DWN R. SWEENEY 13NOV1978	Tyco Electronics Corporation Harrisburg, Pa 17105-3808
	0 PLC ± -	CHK M SARVER 19APR04	
	1 PLC ± -	APVD M SARVER 19APR04	
	2 PLC ± -	NAME	
MATERIAL SEE SPECIFICATIONS	FINISH SEE SPECIFICATIONS	WEIGHT -	OUTLINE DRAWING TSS SLIDE SWITCH SIZE A2 CAGE CODE 00779 DRAWING NO C=1-1437579-1 RESTRICTED TO -

CUSTOMER DRAWING SCALE 4:1 SHEET 1 OF 1 REV C