



- 2.4 / 5GHz Frequency Range
- Radiation: Omni Directional
- IPEX Compatible
- Operating Temp. Range: -20°C to +65°C



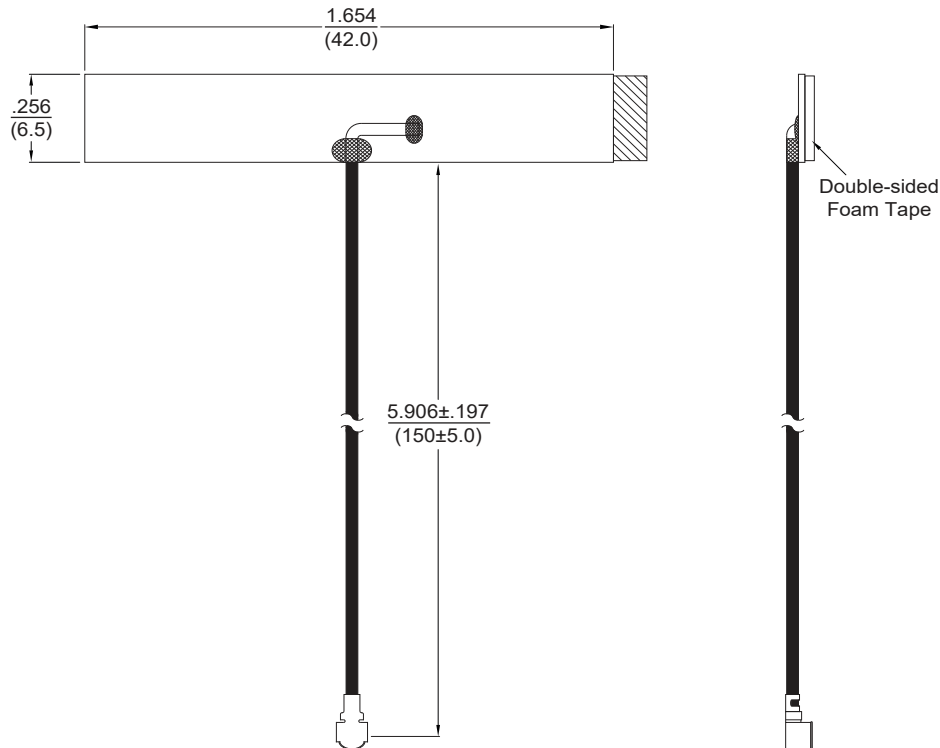
Electrical Specifications @ 25°C

Impedance (Ω) Nom.	Return Loss (dB)	Gain (peak) (dBI)		Polarization	Admitted Power
		2.4GHz	5.0GHz		
50	-10	2.82	3.12	Linear Vertical	1W

All specifications subject to change without notice.

MECHANICAL

Dimensions: $\frac{\text{inch}}{\text{mm}}$



NOTES

1. **Body:** FR4 (T = 0.8mm)
2. **Double-sided tape:** T = 1.0mm
3. **Cable:** Black Coaxial \varnothing 1.13mm
4. **Connector:** IPEX Compatible