

Ratings

Operating temperature range: -10° to 60° C
 Flammability: UL 94 V-0

Materials

1. Insulator: PBT, black
2. Pin: copper alloy, nickel plated
3. Shell: brass, nickel plated
4. Spring contact: stainless steel, nickel plated
5. Spring contact collar: copper alloy, nickel plated
6. Solder tab: brass, nickel plated
7. Washer p/n 56-00001: cold rolled steel, nickel plated
8. Nut p/n 56-00000: brass, nickel plated

Electrical Requirements

Dielectric strength: 1 min @ 500 Vac
 Insulation resistance: 100 MΩ @ 500 Vdc
 Contact resistance: 50 mΩ or less

Mechanical Requirements

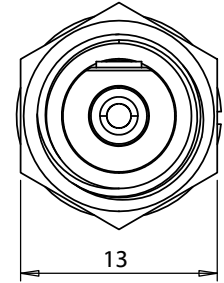
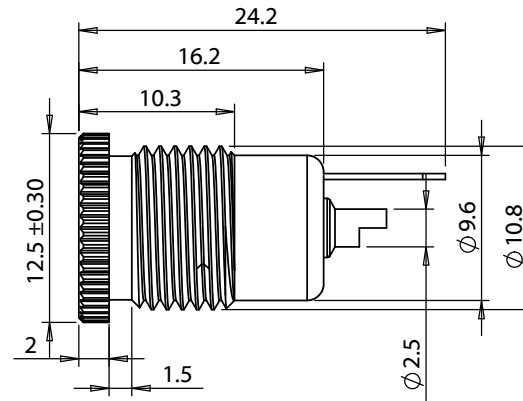
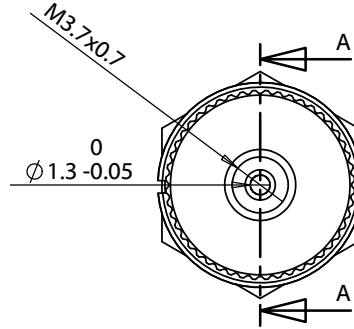
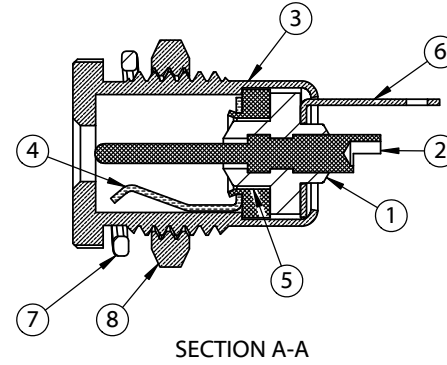
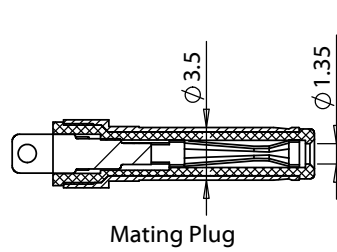
Insertion force: 0.3-3 kgf
 Withdrawal force: 0.2-3 kgf
 Terminal strength: a static load of 150 gf shall be applied to the terminal for 15 seconds in any direction.
 Life cycle: 5000 mating cycles while maintaining less than 100 mΩ contact resistance, 50MΩ insulation resistance minimum, and dielectric strength of 500 Vac for 1 minute withstand voltage.

Soldering

Solderability: 75% minimum coverage when terminals dipped 2mm in 245 ±5 °C solder bath for 3 ±0.5 seconds
 Solder bath durability: no deformation when immersed in 255 ±5 °C bath for 5 seconds or less
 Solder iron durability: no deformation when exposed to 350 ±10 °C for 3 ±0.5 seconds

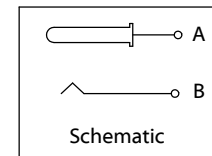
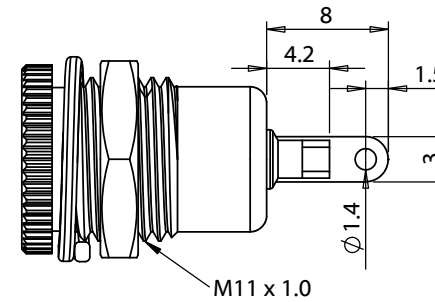
Environmental Requirements

Cold test: -25 ±3 °C for 48 hours without deformation
 Heat test: 70 ±2 °C, for 48 hours without deformation
 Humidity test: 40 ±2 °C, relative humidity 90-95% for 48 hours without deformation



Installation Details

Panel thickness: 1.0 - 4.5 mm
 Panel cutout Ø: 11.0 - 12.0 mm



Revision:	Date:	Description:
A	8/05/2016	Initial release
A1	1/03/2017	Updated materials list
A2	8/25/2017	Updated notes

Prepared: RS
Digitally signed by RS
 Date: 2018.11.01 11:42:58 -0700

Verified: PS
Digitally signed by PS
 Date: 2018.11.05 13:14:22 -0800

Dimensions are in millimeters.
 Tolerances:
 X: ± 0.5 mm
 X.X: ± 0.3 mm
 X.XX: ± 0.05 mm

Notes:
 RoHS compliant

Function test: no open, no short circuit, no intermittent

Description:
 Connector, dc jack, 3.5x1.35xL24.2 mm, panel mount, threaded, nut and washer, brass, nickel

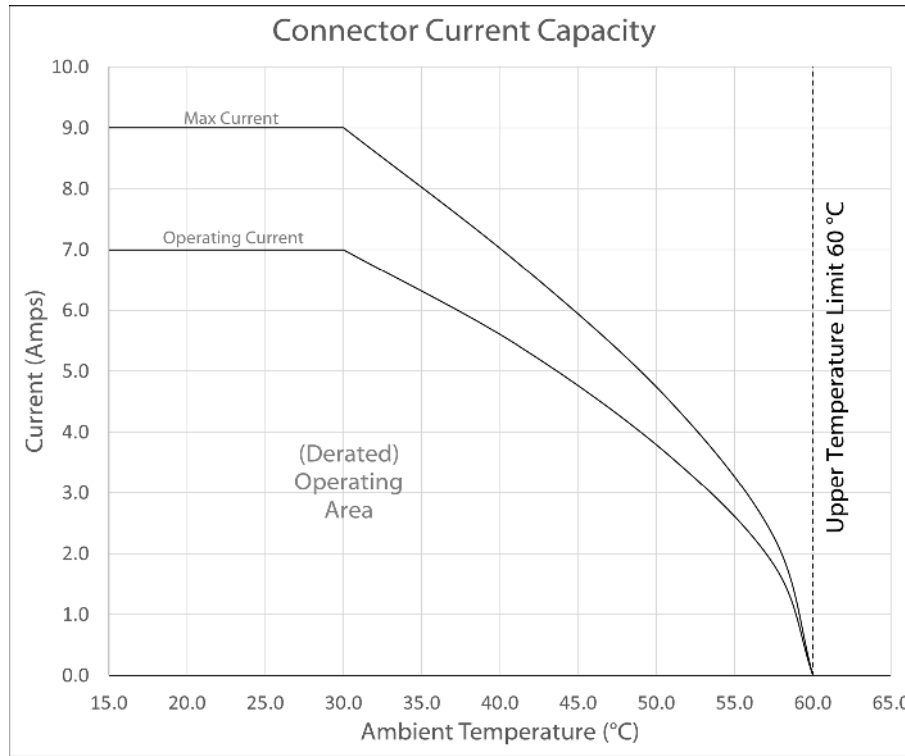
TENSILITY

tel 1.541.323.3228 800 877.670.7118
 fax 1.541.323.4202 web tensility.com


Size: A Part number: 54-00061
 Scale: 2:1 Sheet 1 of 2

Ratings

Maximum Operating Voltage: 48 Vdc
 Maximum Operating Current: 7.0 A



Testing based on IEC 60512-5-2. Max current curve generated with isolated test article under controlled environmental conditions, and does not take into account external factors such as housings, mating cables, or other circuitry. Operating current curve (derated by 20% of maximum values) accounts for external factors, and manufacturing variation.

Revision:	Date:	Description:	Prepared: RS <small>Digitally signed by RS Date: 2018.11.01 11:43:06 -07'00'</small>	Notes:	TENSILITY <small>tel 1.541.323.3228 800 877.670.7118 fax 1.541.323.4202 web tensility.com</small>
A	8/05/2016	Initial release	Verified: PS <small>Digitally signed by PS Date: 2018.11.05 13:21:40 -08'00'</small>	RoHS compliant	
A1	1/03/2017	Updated material list	Dimensions are in millimeters. Tolerances: X: ± 0.5 mm X.X: ± 0.3 mm X.XX: ± 0.05 mm	Function test: no open, no short circuit, no intermittent	Size: A
A2	8/25/2017	Updated notes		Description: Connector, dc jack, 3.5x1.35xL24.2 mm, panel mount, threaded, nut and washer, brass, nickel	Part number: 54-00061
					Scale: 2:1
					
					Sheet 2 of 2