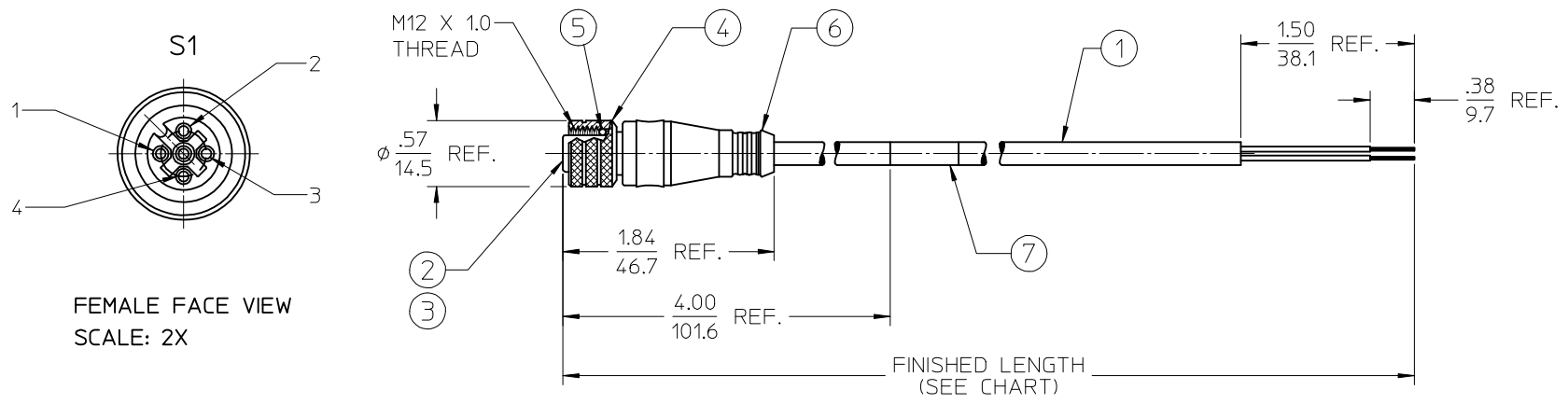


10	9	8	7
MATERIAL NO.	ENGINEERING NO.	FINISHED LENGTH	
1200652213	804000A14M010A	3' 4" +2.19-0 (1M +55.6mm-0)	
1200652223	804000A14M020A	6' 7" +3.50-0 (2M +88.9mm-0)	
1200652224	804000A14M030A	9' 10" +3.50-0 (3M +88.9mm-0)	
1200652220	804000A14M050A	16' 5" +6.50-0 (5M +165.1mm-0)	
1200652225	804000A14M100A	32'10" +12.50-0 (10M +317.5mm-0)	

CUSTOMER PRODUCTION APPROVAL
 APPROVED BY: _____
 DATE: _____
 MUST BE SIGNED AND RETURNED BEFORE
 PRODUCTION WILL BEGIN.

RESTRICTED SALES DRAWING



FEMALE FACE VIEW
SCALE: 2X

S1

1	BROWN
2	WHITE
3	BLUE
4	BLACK

WIRING DIAGRAM

- NOTES:
1. MATERIAL: SEE TABLE
 2. FINISHES: SEE TABLE
 3. ELECTRICAL SPECIFICATIONS
 VOLTAGE RATING: 250V AC/DC
 CURRENT RATING: 4 AMPS
 4. PROTECTION: IP67
 5. ASSEMBLY IS RoHS COMPLIANT BY EXEMPTION

ITEM	QTY.	DESCRIPTION	MATERIAL	FINISH
7	1	WRAP LABEL	VINYL	BLACK/YELLOW
6	1	OVERMOLD-FEMALE	PVC	GRAY
5	1	O-RING	VITON	RED
4	1	COUPLING, FEMALE THREAD	BRASS	NICKEL PLATED
3	4	CONTACT SOCKET	Cu ALLOY	GOLD PLATED
2	1	INSERT, 4P FEMALE	PUR	BLACK
1	1	CABLE, 22-4, 300V, 105°C, PLTC	PVC JACKET	GRAY

RELEASED AS SD DOC
 WAS RSD-120065-110
 EC NO: IPG2015-1249
 DRWRHSTONE 2013/02/12
 CHKDK JOZWIK 2013/02/27
 APPR: JFMURPHY 2013/06/21

QUALITY SYMBOLS	GENERAL TOLERANCES (UNLESS SPECIFIED)	DIMENSION STYLE	SCALE	DESIGN UNITS	THIRD ANGLE PROJECTION
▽=0	4 PLACES ± --- ± ---	IN/MM	2:1	INCH	THIRD ANGLE PROJECTION
▽=0	3 PLACES ± --- ± ---	mm INCH			
	2 PLACES ± --- ± .01				
	1 PLACE ± 0.3 ± ---				
	0 PLACE ± --- ± ---				
	ANGULAR ± 2 °				
	DRAFT WHERE APPLICABLE MUST REMAIN WITHIN DIMENSIONS				

TITLE: MIC CABLE ASSY, FEMALE 4 POLE, 22/4 PLTC

molex

DOCUMENT NO. SD-120065-062 SHEET NO. 1 OF 1

MATERIAL NO. SEE CHART

THIS DRAWING CONTAINS INFORMATION THAT IS PROPRIETARY TO MOLEX INCORPORATED AND SHOULD NOT BE USED WITHOUT WRITTEN PERMISSION