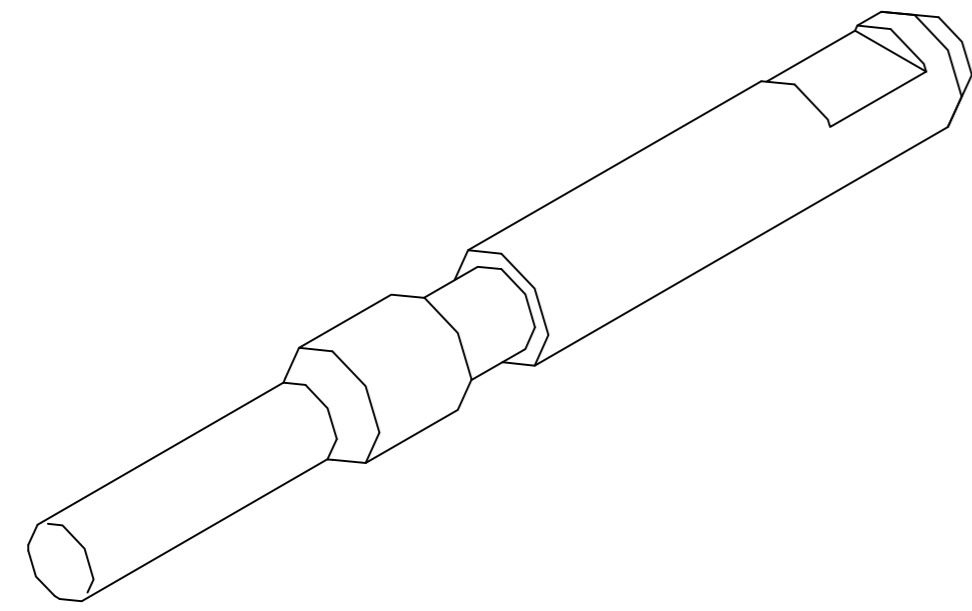


THIS DRAWING IS UNPUBLISHED. RELEASED FOR PUBLICATION  
 © COPYRIGHT - By - ALL RIGHTS RESERVED.

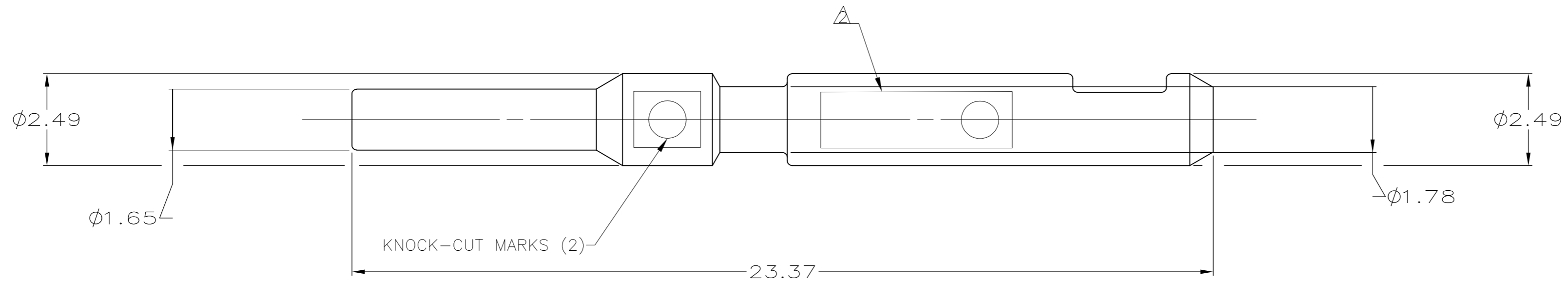
LOC	DIST	REVISIONS			
P	LTR	DESCRIPTION	DATE	DWN	APVD
CM	53	A	REVISED PER ECR-15-003328	03-30-15	SC KD



3-DIMENSIONAL MODEL  
NTS

NOTES

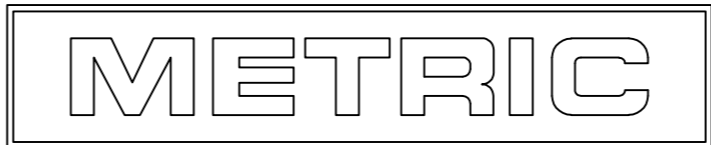
- TO BE USED WITH UNIVERSAL MATE-N-LOK2 PLUGS AND CAPS.  
 ⚠ AMP LOGO LOCATION.



794369-1  
PART NUMBER

MM	IN
23.37	.920
2.49	.098
1.78	.070
1.65	.065
0.13	.005
MM	IN

CONVERSION TABLE



THIS DRAWING IS A CONTROLLED DOCUMENT.		DWN K. WHITAKER 5-21-97		
DIMENSIONS: mm		CHK R. SWING 5-21-97		
TOLERANCES UNLESS OTHERWISE SPECIFIED:		APVD R. ORSTAD 5-21-97	NAME	
0 PLC ± - 1 PLC ± - 2 PLC ± 0.13 3 PLC ± - 4 PLC ± - ANGLES ± 0° 30'		PRODUCT SPEC 108-1693	KEYING PLUG, MINI UNIVERSAL MATE-N-LOK TM	
MATERIAL NYLON, UL 94V-0, NATURAL		APPLICATION SPEC 114-1111	SIZE A2	CAGE CODE 00779
FINISH -		WEIGHT -	DRAWING NO C=794369	RESTRICTED TO -
CUSTOMER DRAWING			SCALE 10:1	SHEET 1 of 1
			REV A	