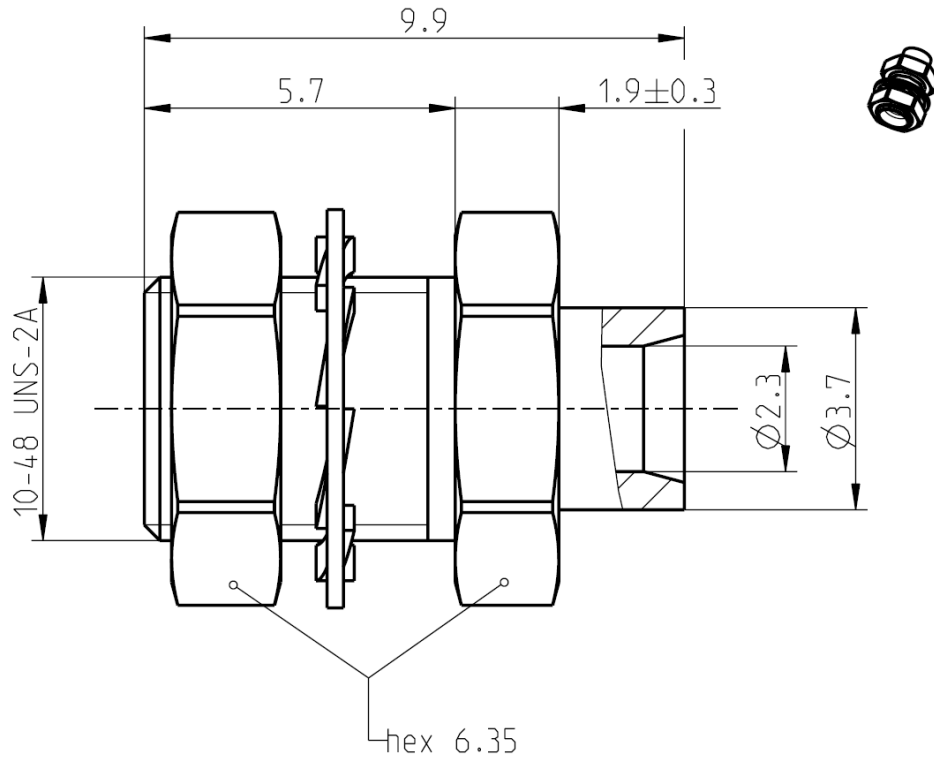


SMP

BULKHEAD PLUG
SMOOTH BORE

19S641-271L5-NM



All dimensions are in mm; tolerances acc. to ISO 2768 m-H

Interface

Compatible to MIL-STD-348

Documents

Assembly instruction 19 E4
Panel piercing B 54

Material and plating

Connector parts

Center contact
Outer contact
Dielectric

Material

Spring bronze
Spring bronze
PTFE

Plating

AuroDur®, gold plated
AuroDur®, gold plated

Dieses Dokument ist urheberrechtlich geschützt • This document is protected by copyright • Rosenberger Hochfrequenztechnik GmbH & Co. KG

RF_35/05.10/6.0

SMP

BULKHEAD PLUG
SMOOTH BORE

19S641-271L5-NM

Electrical data

Impedance 50 Ω
 Frequency DC to 26.5 GHz
 Return loss ≥ 30 dB @ DC to 4 GHz
 ≥ 20 dB @ 4 GHz to 12 GHz
 ≥ 18 dB @ 12 GHz to 26.5 GHz
 Insertion loss ≤ 0.05 x √f [GHz] dB @DC to 12 GHz
 Insulation resistance ≥ 5 GΩ
 Center contact resistance ≤ 6 mΩ
 Outer contact resistance ≤ 2 mΩ
 Test voltage (at sea level) 500 V rms
 Working voltage (at sea level) 335 V rms
 Contact Current ≤ 1.2A DC max.

- Limitations are possible due to the used cable type -

Mechanical data

Mating cycles ≥ 1000
 Center contact captivation ≥ 7 N
 Engagement force
 - Smooth bore ≤ 9 N
 Disengagement force
 - Smooth bore ≥ 2.2 N

Environmental data

Temperature range -65 °C to +155 °C
 Thermal shock MIL-STD-202, Method 107, Condition B
 Vibration MIL-STD-202, Method 204, Condition B
 Shock MIL-STD-202, Method 213, Condition A
 Moisture resistance MIL-STD-202, Method 106
 RoHS compliant

Tooling

N/A

Suitable cables

RG 405 /U, UT 85-M17

Weight

Weight 1.6 g/pce

Dieses Dokument ist urheberrechtlich geschützt • This document is protected by copyright • Rosenberger Hochfrequenztechnik GmbH & Co. KG

RF_35/05.10/6.0

Draft	Date	Approved	Date	Rev.	Engineering change number	Name	Date
H. Wurm	12/04/12	J_Krautenbacher	09.09.16	d00	16-1508	S_Huber-Siegl	09.09.16
Rosenberger Hochfrequenztechnik GmbH & Co. KG P.O.Box 1260 D-84526 Tittmoning Germany www.rosenberger.de						Tel. : +49 8684 18-0 Email : info@rosenberger.de	
							Page 2 / 2