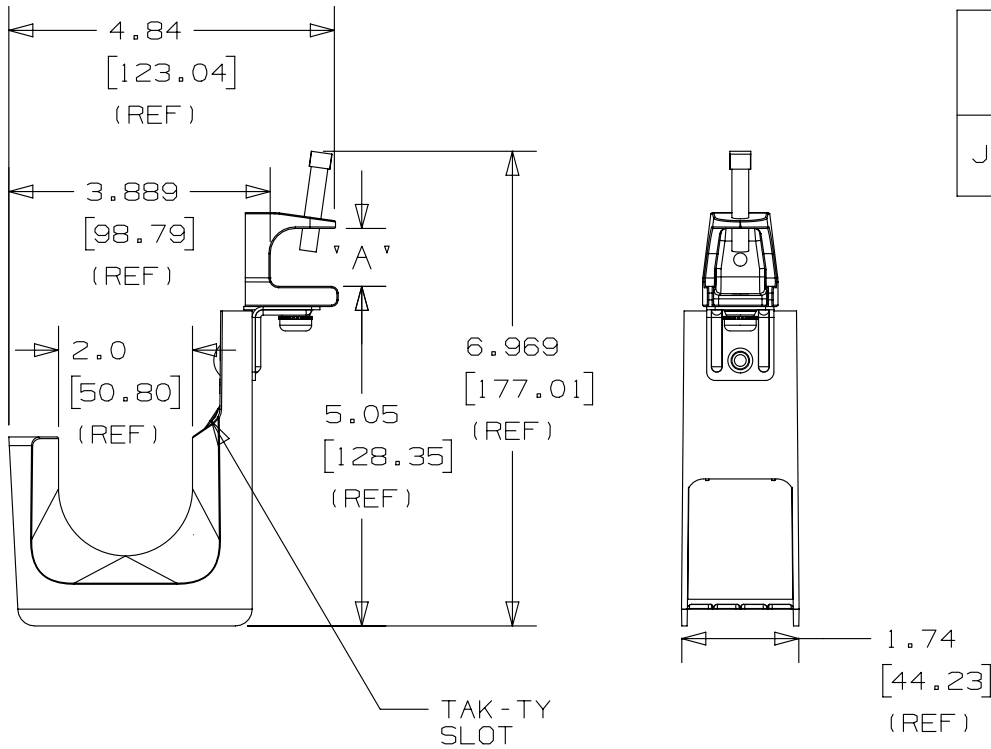
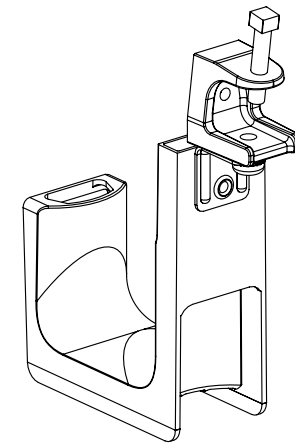


THIS COPY IS PROVIDED ON A RESTRICTED BASIS AND IS NOT TO BE USED IN ANY WAY DETRIMENTAL TO THE INTERESTS OF PANDUIT CORP.



PANDUIT PART NO.	'A'	WEIGHT 10pcs lbs (g)
JP2SBC87RB----	0.812 - 0.912 [20.6 - 23.2]	3.96 (1797)



NOTES:

- SEE CURRENT PRICE SHEET FOR PART NUMBER SUFFIX DESIGNATION FOR PACKAGE SIZE AND PRODUCT COLOR.
- HOOK MATERIAL: NYLON 6/6
ANGLE BRACKET MATERIAL: PRE-GALVANIZED STEEL
RIVET MATERIAL: ALUMINUM
CLAMP MATERIAL: PLATED IRON
BOLT/WASHER MATERIAL: ZINC PLATED STEEL
- PRODUCT IS DESIGNED TO SUPPORT A MAXIMUM OF 2" (50.8) DIAMETER BUNDLE. MAXIMUM RECOMMENDED STATIC LOAD: 30 lbs.
- PRODUCT INCORPORATES FEATURES ALLOWING USER TO RETAIN CABLE BUNDLES IN J-PRO J-HOOK WITH TAK-TY CABLE TIES UP TO 3/4" WIDE.
- PRODUCT MARKINGS:
cULus logo and statement:
"SUITABLE FOR USE IN AIR HANDLING SPACES IN ACCORDANCE WITH SECTION 300-22 (C) & (D) OF THE NATIONAL ELECTRIC CODE."
ULC logo and statement:
"IN ACCORDANCE WITH CAN/ULC S-102.2-10 IN SINGLE UNITS OR PAIRS, 4 ft (1220mm) MIN. SPACING, FSR=0, SDC=35."

TITLE				
J-PRO J-HOOK WITH 360° SCREW-ON BEAM CLAMP (JP2SBC87RB-___)				
CUSTOMER DRAWING				
ITEM REVISION NAME		121031AS/00		
DATASET FILE NAME		121031AS_DC_C11038/00A		
UNLESS OTHERWISE SPECIFIED, DIMENSIONAL TOLERANCES ARE: IN (mm)				
.x ± .1 [2.54]		.xxx ± .005 [.127]		
.xx ± .01 [.25]		ANGLES ± 5°		
			THIRD ANGLE PROJECTION	
DRAWN BY: DBLA				DATE: 2/1/2013
CHK: KLN				SCALE: NONE
DRAWING NUMBER: C11038				SHT 1 OF 1
				SIZE: A

REV	DATE	BY	CHK	APR	DESCRIPTION	ECN
00	2/4/2013	DBLA	CLW	KLN	INITIAL RELEASE	GAECN00426

D101000DA/12