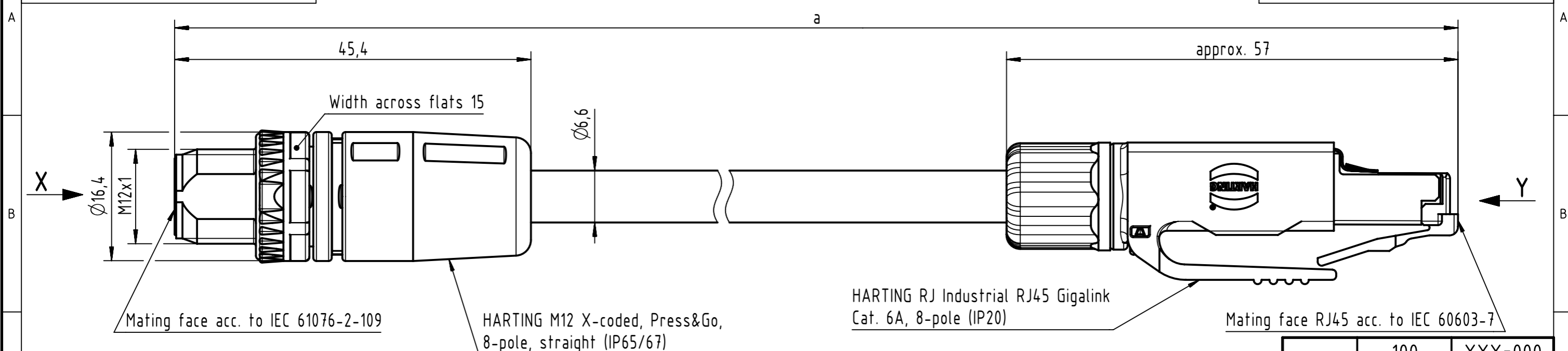
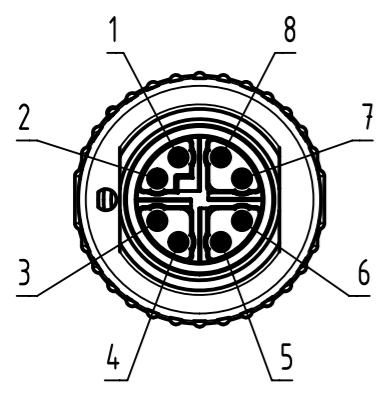


Connector Location A

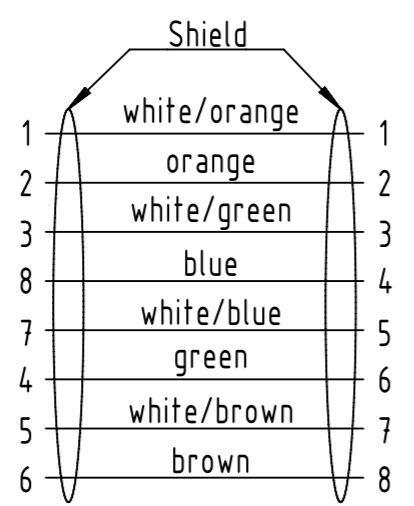
Connector Location B



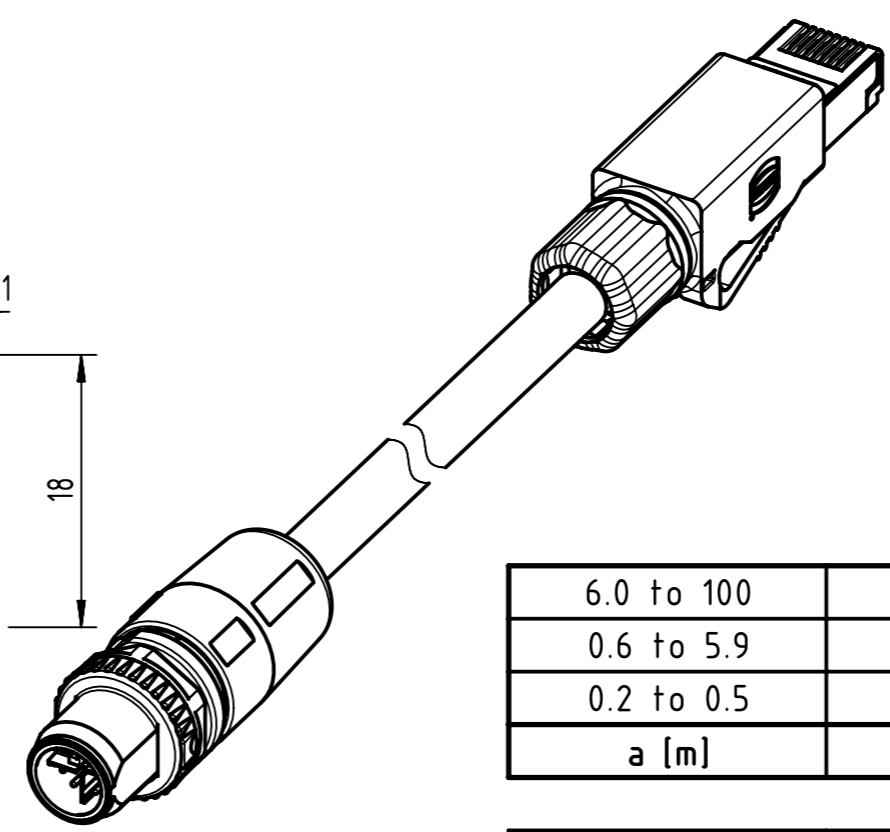
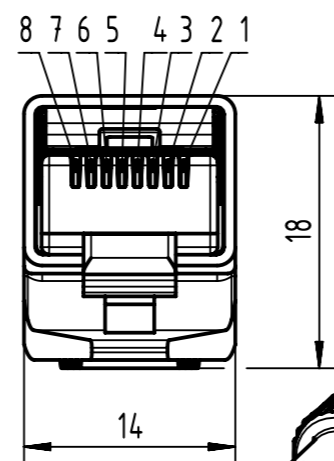
X
male



Loading Plan
acc. to TIA/EIA 568B



Y
male



6.0 to 100	±1%
0.6 to 5.9	+0.04
0.2 to 0.5	+0.02
a [m]	Tolerance

length in "1m" step	100	XXX=000
	99	XXX=990
	12	XXX=120
	11	XXX=110
length in "0.1m" step	10	XXX=100
	9.9	XXX=099
	9.8	XXX=098
	0.5	XXX=005
	0.4	XXX=004
	0.3	XXX=003
	0.2	XXX=002
Step	a [m]	XXX

HARTING IE Cat.6A 4x2xAWG
26/7 PVC yellow

Type of cable

09489323757XXX

Part no.

NOTE:
* Cat.6A 10 Gbit/s Ethernet transmission possible for lengths up to 45m
- Temperature range: -20°C ... +70°C

All Dimensions in mm		Tech. Character.		Free size tol.		According to production drawing	
All rights reserved Department HCS - RO	Created by 405181 Hadar	Inspected by 402676 Gross	Standardisation COSTEA Costea	Date 2021-11-12	State Final Release		Doc-Key / ECM-Nr. 100601686/UGD/003/E 500000205994
	Title M12 X-coded Cable Assembly			Number 09489323757XXX		Rev. E	
HARTING Customised Solutions D-32339 Espelkamp		Type TB					