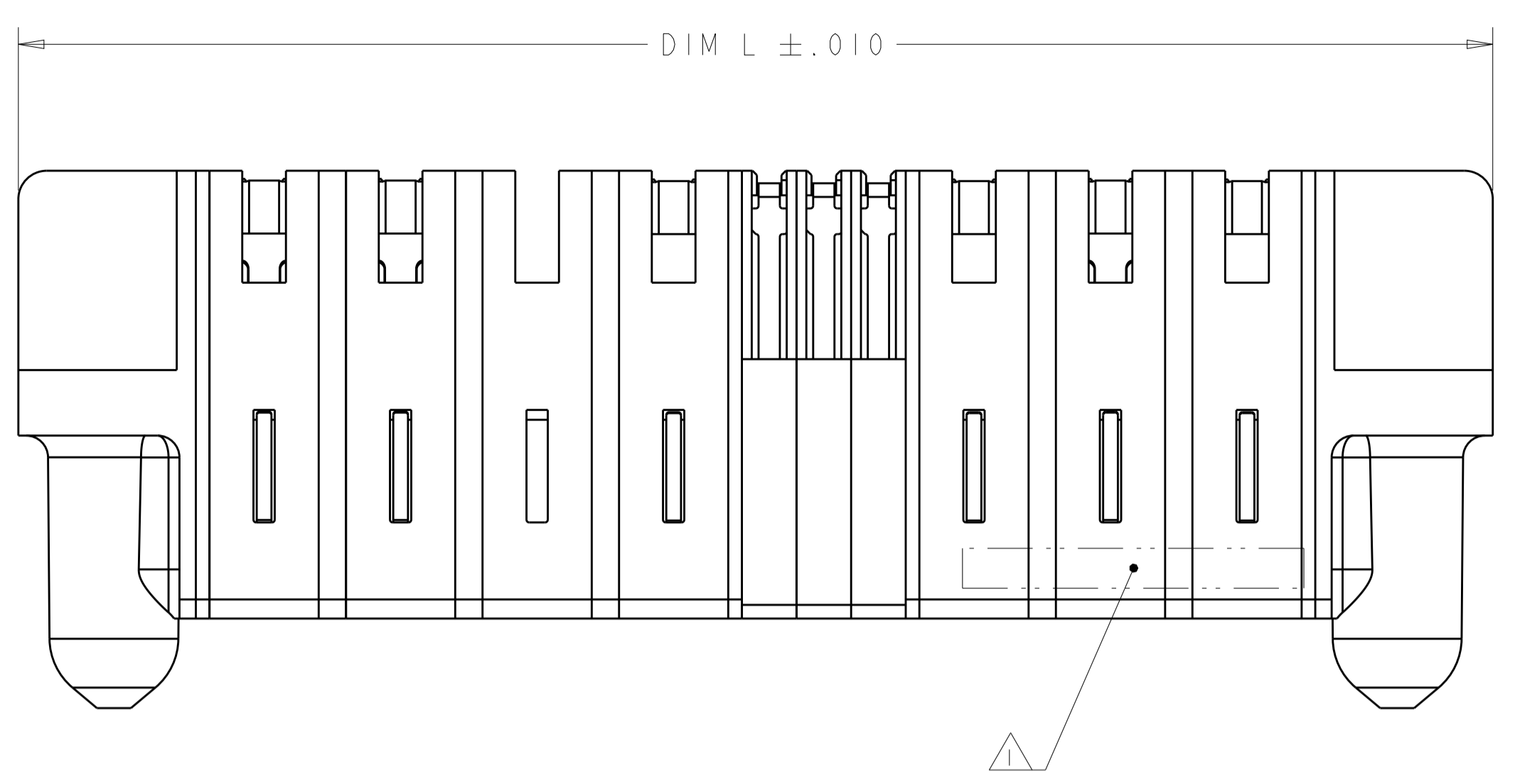
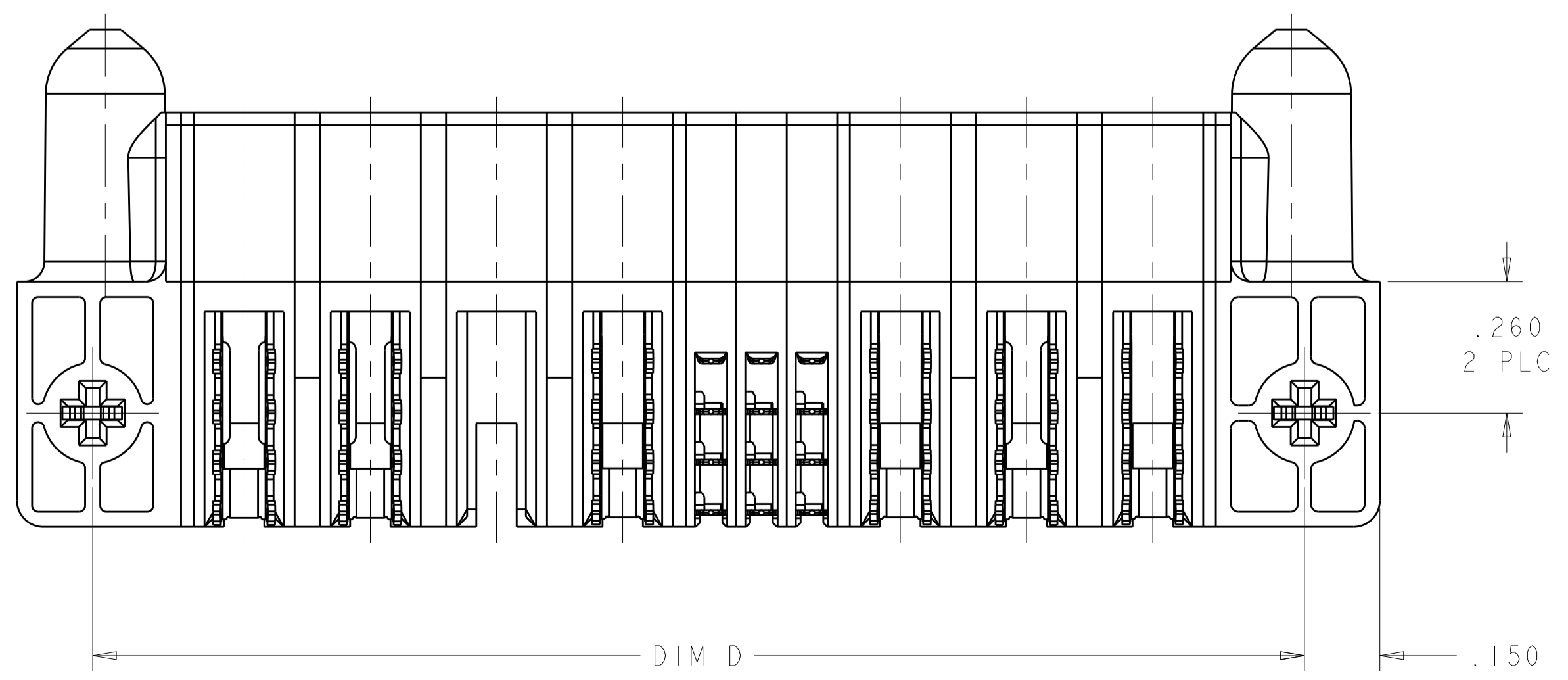
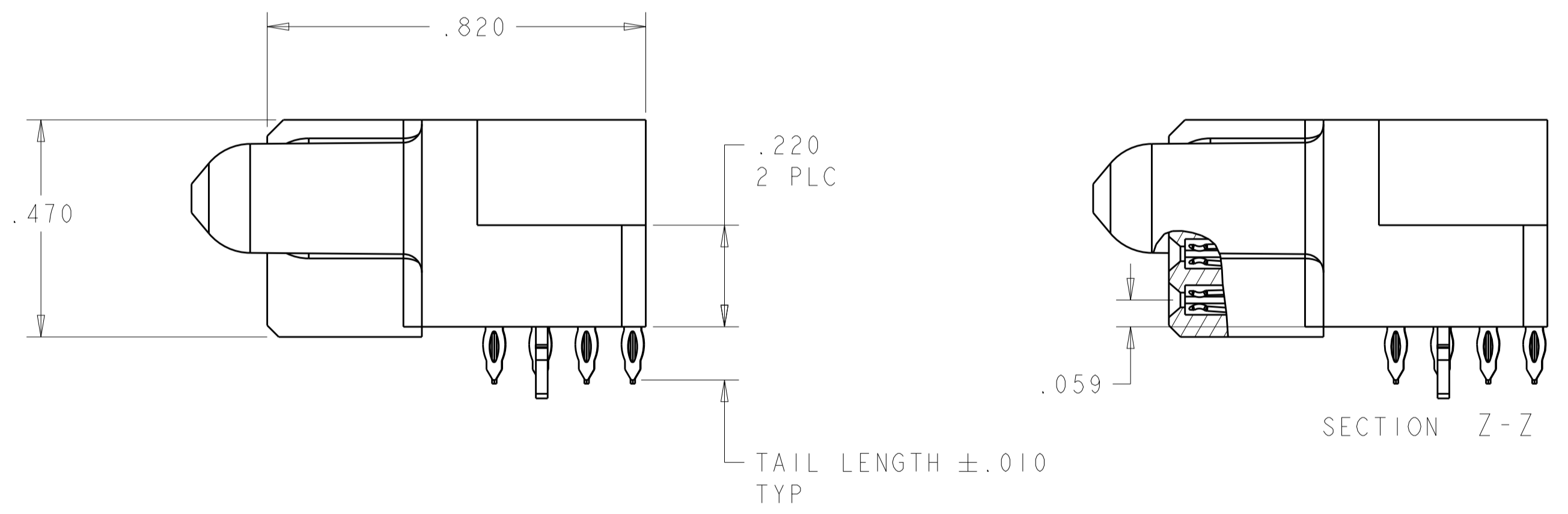
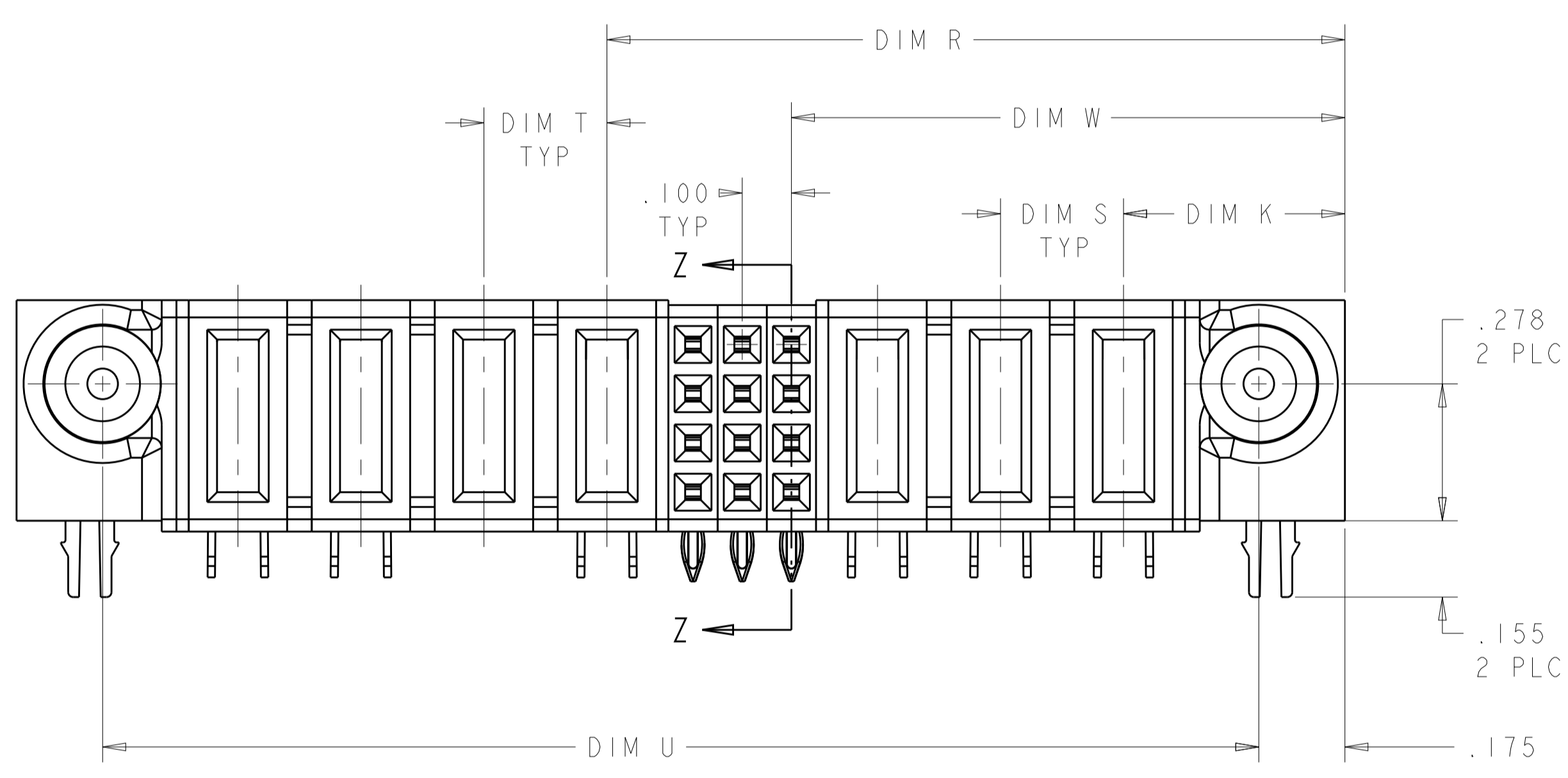


LOC		DIST		REVISIONS			
ES	00	P	LTN	DESCRIPTION	DATE	DWN	APVD
		H2		REV PER ECR-12-010534	11JUN2012	CZ	SZ
		H3		REV PER ECR-13-004638	20MAR2013	ML	SZ



- ① "AMP", PART NUMBER, AND DATE CODE TO BE MARKED IN AREA SHOWN
- ② MATERIAL: HOUSING - GLASS FILLED HIGH TEMP THERMO PLASTIC, UV94 V-0
 SIGNAL CONTACT - HIGH CONDUCTIVITY COPPER ALLOY
 POWER CONTACT - HIGH CONDUCTIVITY COPPER ALLOY
- ③ CONTACT PLATING: NOBLE METAL PLATING ON CONTACT FUNCTIONAL AREA OF POWER AND SIGNAL CONTACTS
- ④ MECHANICAL CONNECTOR KEEP OUT ZONE
- ⑤ DATUM AND BASIC DIMENSIONS ESTABLISHED BY CUSTOMER
- ⑥ PCB - ALL HOLE DIAMETERS ARE FINISHED HOLE SIZES
- ⑦ PCB - .0453 ±.0010 DRILLED HOLE PLATED WITH .0003 MIN Sn OVER .001-.003 PLATING TO ACHIEVE A .040 HOLE



①	.150	.119	3.700	.250	.250	2.850	1.375	3.750	-	4.050	.450	4P + 56S + 4P	1-6450560-9
	.150	.119	2.900	.250	.250	2.050	1.375	2.950	-	3.250	.450	4P + 24S + 4P	1-6450560-7
	NO	.119	5.100	.250	.250	3.250	2.375	5.150	-	5.450	.450	8P + 32S + 8P	1-6450560-6
	.150	.119	2.850	.250	.250	2.500	1.875	2.900	-	3.200	.450	6P + 20S + 2P	1-6450560-5
	.150	.119	2.000	.250	.250	1.650	.925	2.050	-	2.350	.450	2P + 24S + 2P	1-6450560-3
	.150	.119	1.900	.250	.250	1.550	.875	1.950	-	2.250	.450	2P + 24S + 2P	1-6450560-2
	.150	.165	2.300	.200	.200	1.600	1.225	2.350	-	2.650	.450	4P + 12S + 4P	1-6450560-1
	NO	.165	3.800	.250	.250	3.450	.875	3.850	-	4.150	.450	2P + 100S + 2P	6450560-8
	.150	.119	2.600	.250	.250	2.250	1.925	2.650	-	2.950	.450	6P + 8S + 2P	6450560-6
	NO	.165	4.000	.200	.200	2.700	1.825	4.050	-	4.350	.450	7HDP + 32S + 7HDP	6450560-4
	NO	.119	1.200	-	-	1.100	.625	1.250	-	1.550	.450	1P + 16S + 1P	6450560-3
	NO	.119	3.600	.250	.250	2.500	1.625	3.650	-	3.950	.450	5P + 32S + 5P	6450560-2
	NO	.119	2.350	.250	.250	1.500	1.125	2.400	-	2.700	.450	3P + 12S + 4P	6450560-1
	MOUNTING HOLES											DESCRIPTION	PART NUMBER

THIS DRAWING IS A CONTROLLED DOCUMENT. DWN: R. GRZYBOWSKI 09MAR05
 CHK: M. PERCHERKE 09MAR05
 APVD: M. PERCHERKE

DIMENSIONS: INCHES. TOLERANCES UNLESS OTHERWISE SPECIFIED:
 0 PLC ±.01
 1 PLC ±.01
 2 PLC ±.01
 3 PLC ±.005
 4 PLC ±.002
 ANGLES ±.2°

MATERIAL: FINISH: ② ③

Customer Drawing

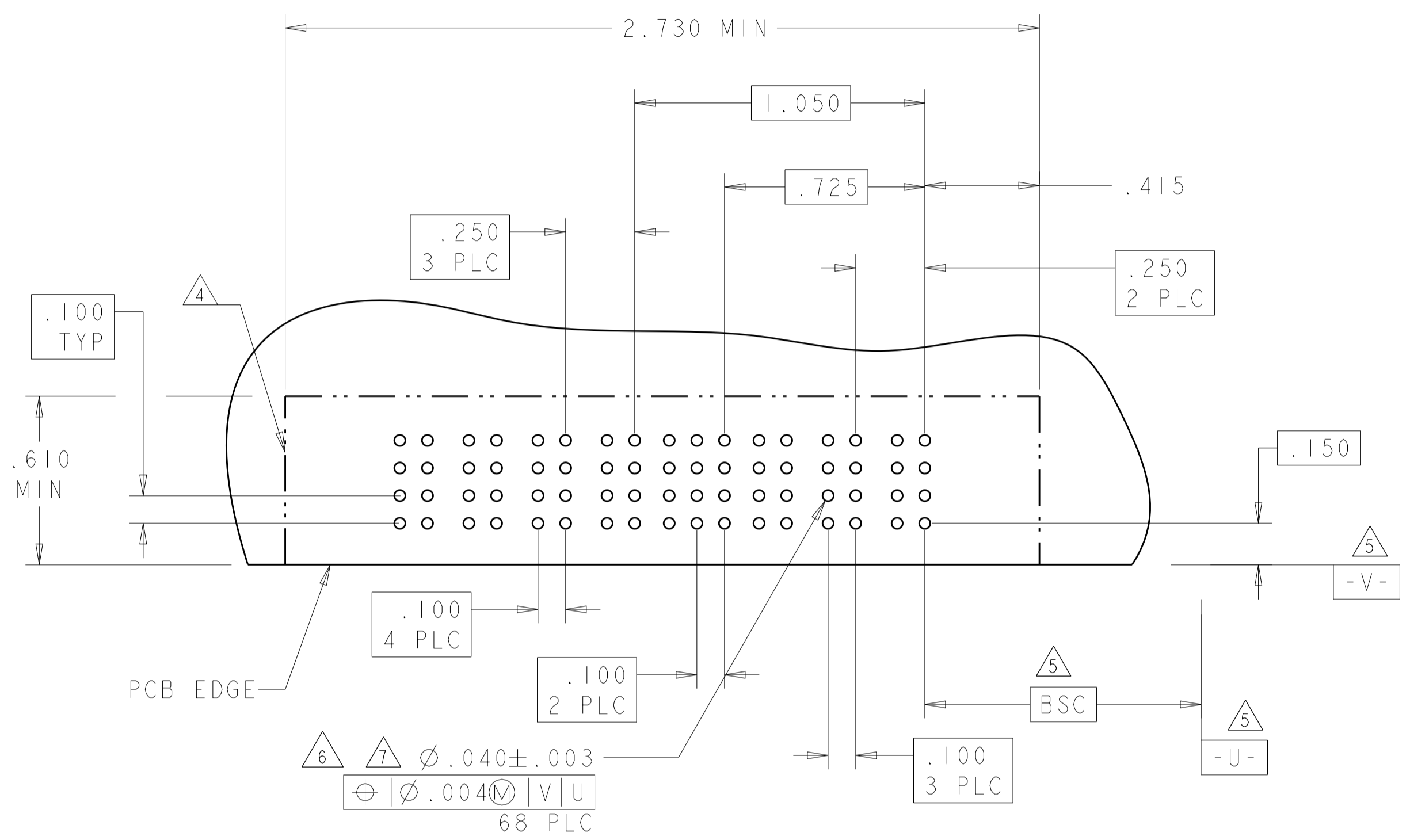
NAME: RIGHT ANGLE RECEPTACLE ASSEMBLY WITH GUIDES MULTI-BEAM XL
 PRODUCT SPEC: 108-1973
 APPLICATION SPEC: 114-13038

SIZE: A1
 CAGE CODE: 6450560
 DRAWING NO: 100779
 SCALE: 4:1
 SHEET: 1 of 7
 REV: H3

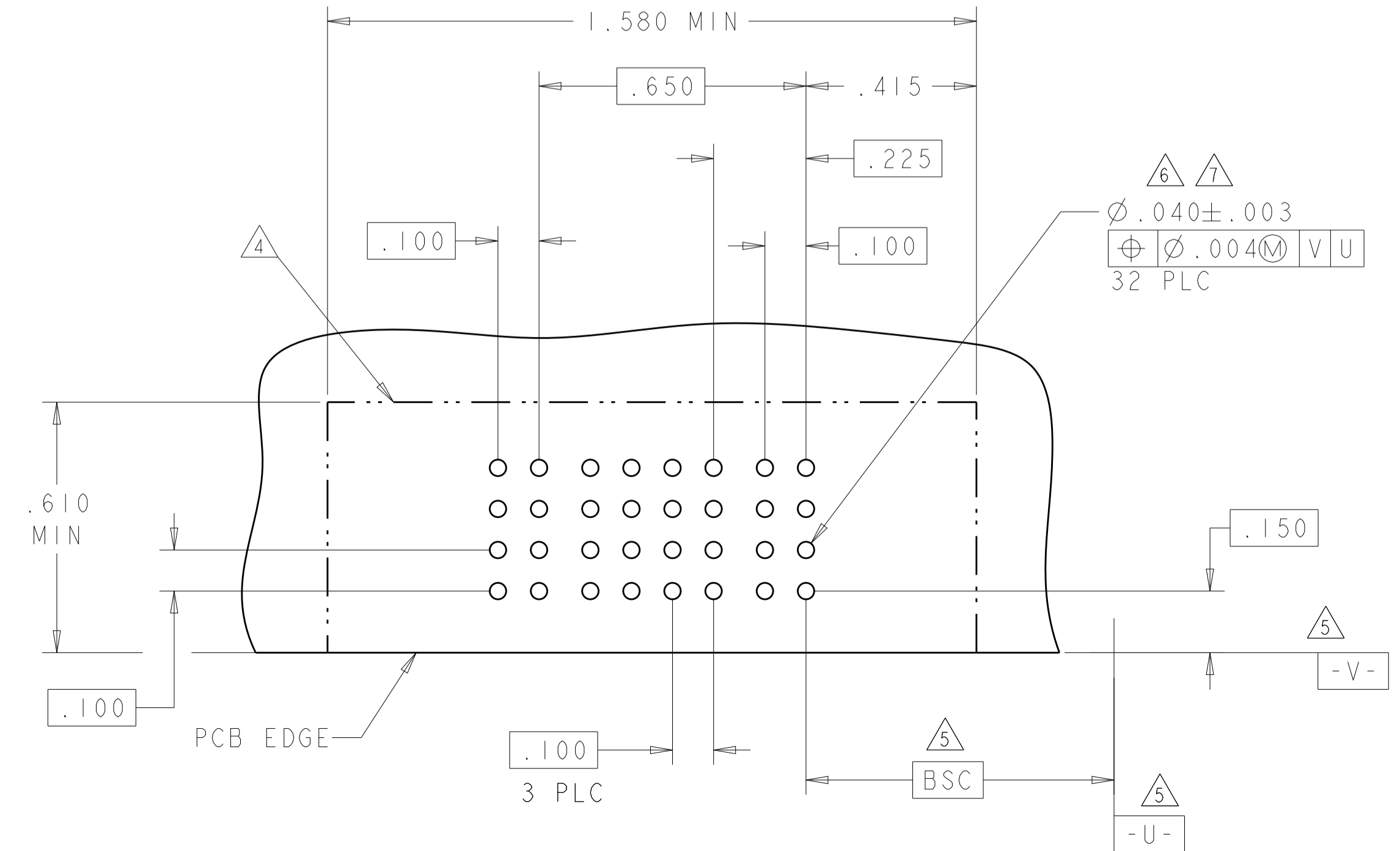
LOC	DIST	REV	DATE	APPV
ES	00			

REVISIONS		DATE	OWN	APPV
1	SEE SHEET 1			

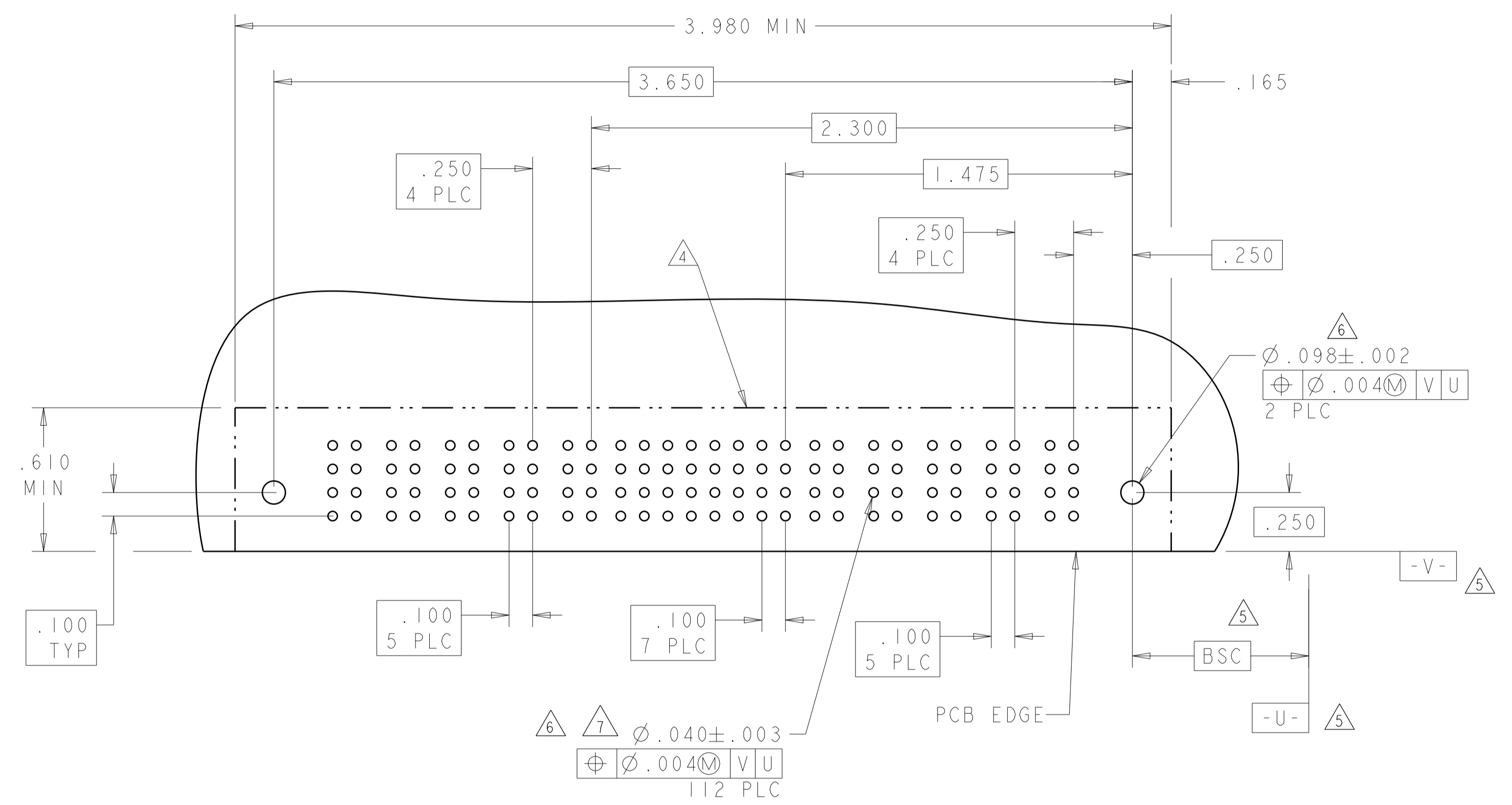
PART NUMBER	ROWS	POWER				SIGNAL			POWER		
		P7	P6	P5	P4	3	2	1	P3	P2	P1
6450560-1	D C B A	RS	RS	RP	D	D	D	RP	RS	RP	
					C	C	C				
					B	B	B				
					A	A	A				
3P + 12S + 4P											



PART NUMBER	ROWS	POWER		SIGNAL				POWER
		P2	P1	4	3	2	1	P1
6450560-3	D C B A	RP	RP	D	D	D	D	RP
				C	C	C	C	
				B	B	B	B	
				A	A	A	A	
1P + 16S + 1P								



PART NUMBER	ROWS	POWER					SIGNAL								POWER				
		P10	P9	P8	P7	P6	8	7	6	5	4	3	2	1	P5	P4	P3	P2	P1
6450560-2	D C B A	RP	RP	RP	RP	RP	D	D	D	D	D	D	D	D	RP	RP	RP	RP	RP
							C	C	C	C	C	C	C	C					
							B	B	B	B	B	B	B	B					
							A	A	A	A	A	A	A	A					
5P + 32S + 5P																			



CODE	TAIL LENGTH	DESCRIPTION
RK	PRESS FIT	MFBL
RL	PRESS FIT	STD
RP	PRESS FIT	MFBL
RS	PRESS FIT	STD
CODE	TAIL LENGTH	DESCRIPTION

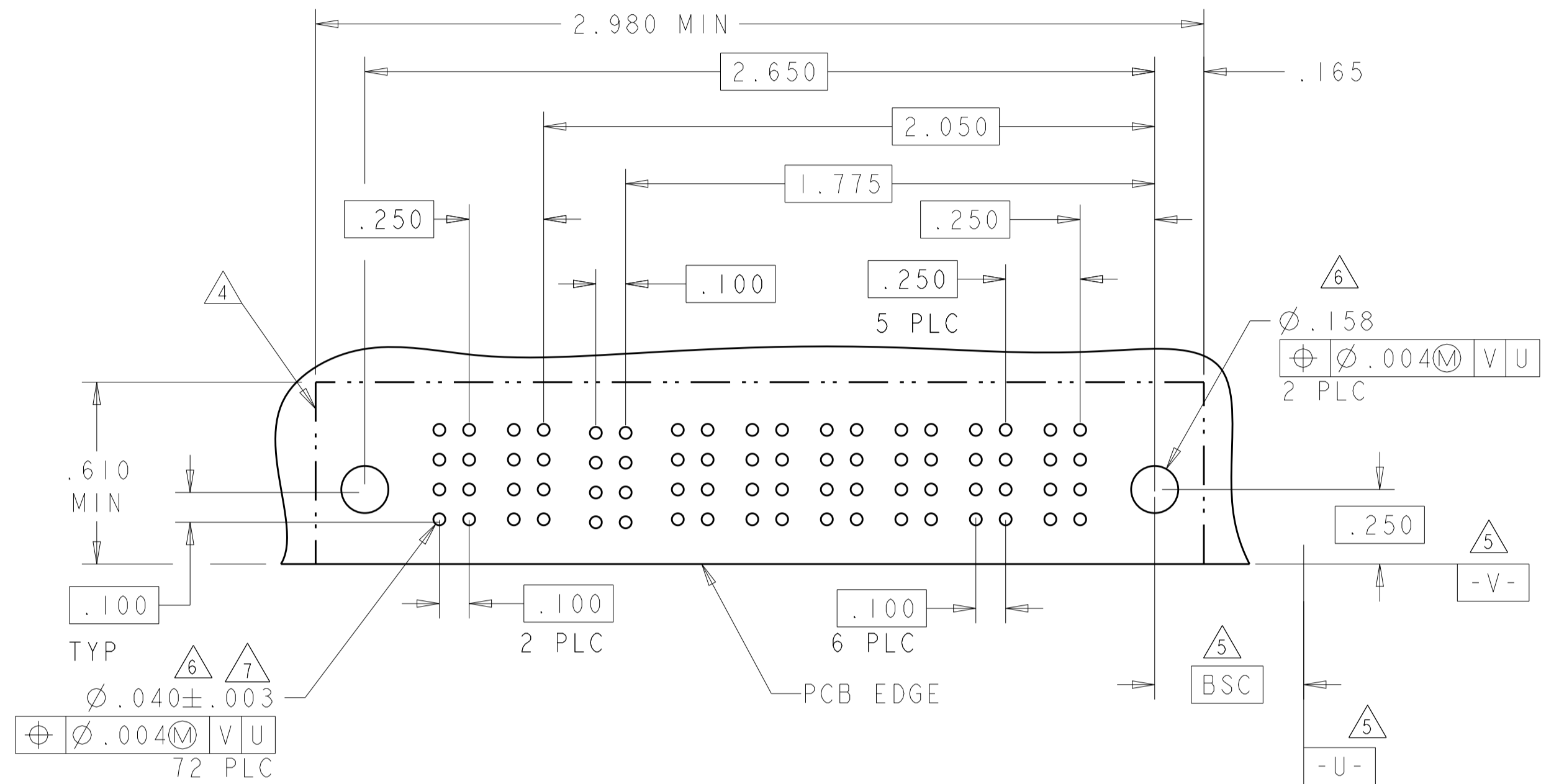
CODE	TAIL LENGTH	ROW
DD	PRESS FIT	D
CC	PRESS FIT	C
BB	PRESS FIT	B
AA	PRESS FIT	A
D	PRESS FIT	D
C	PRESS FIT	C
B	PRESS FIT	B
A	PRESS FIT	A
CODE	TAIL LENGTH	ROW

THIS DRAWING IS A CONTROLLED DOCUMENT. OWN: R. GRZYBOWSKI, 09MAR05. CHK: M. PERCHERKE, 09MAR05. APVD: M. PERCHERKE. NAME: RIGHT ANGLE RECEPTACLE ASSEMBLY WITH GUIDES MULTI-BEAM XL. PRODUCT SPEC: 108-1973. APPLICATION SPEC: 114-13038. WEIGHT: -. SIZE: A100779. SCALE: 4:1. SHEET: 2 OF 7. REV: H3.

STE TE Connectivity

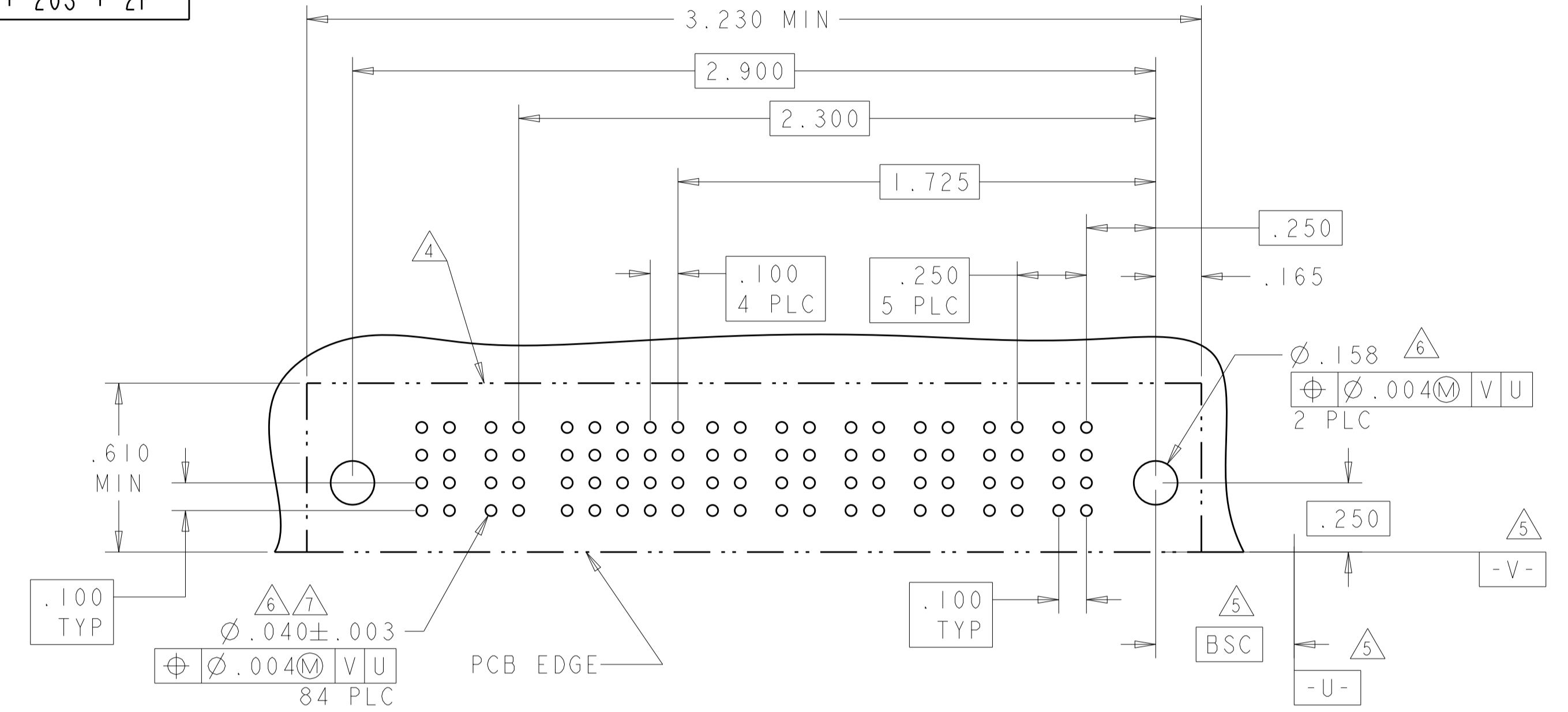
PART NUMBER	ROWS	POWER		SIGNAL										POWER		
		P8	P7	2	1	P6	P5	P4	P3	P2	P1	P2	P1			
6450560-6	D C B A	RP	RP	D	D	RP	RP	RP	RP	RP	RP	RP	RP	RP	RP	RP
				C	C											
		B	B	RP	RP	RP	RP	RP	RP	RP	RP	RP	RP	RP	RP	RP
		A	A													

6P + 8S + 2P



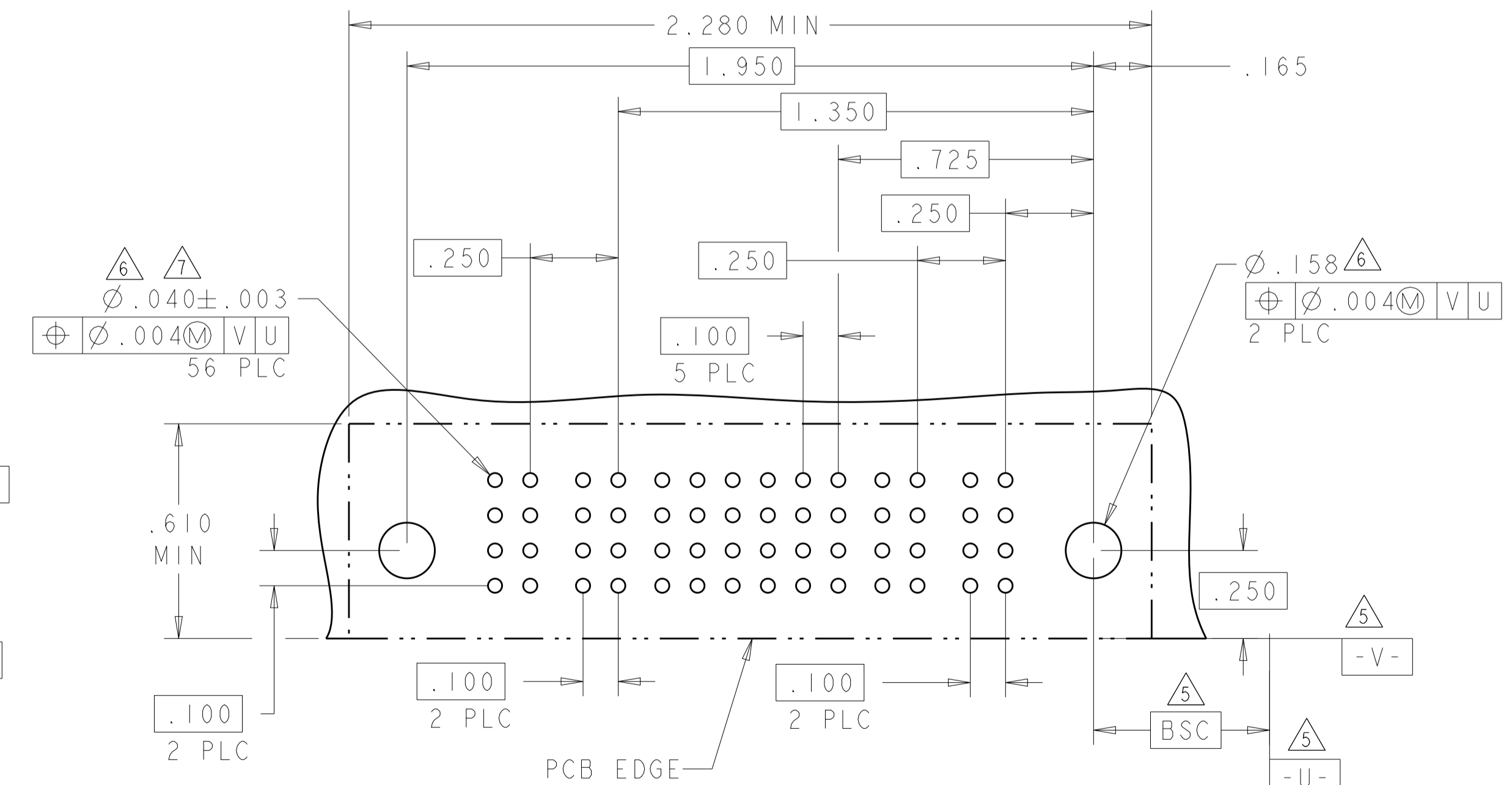
PART NUMBER	ROWS	POWER		SIGNAL					POWER					
		P8	P7	5	4	3	2	1	P6	P5	P4	P3	P2	P1
1-6450560-5	D C B A	RP	RP	D	D	D	D	D	RP	RP	RP	RP	RP	RP
				C	C	C	C	C						
		B	B	B	B	B	RP	RP	RP	RP	RP	RP	RP	
		A	A	A	A	A								

6P + 20S + 2P



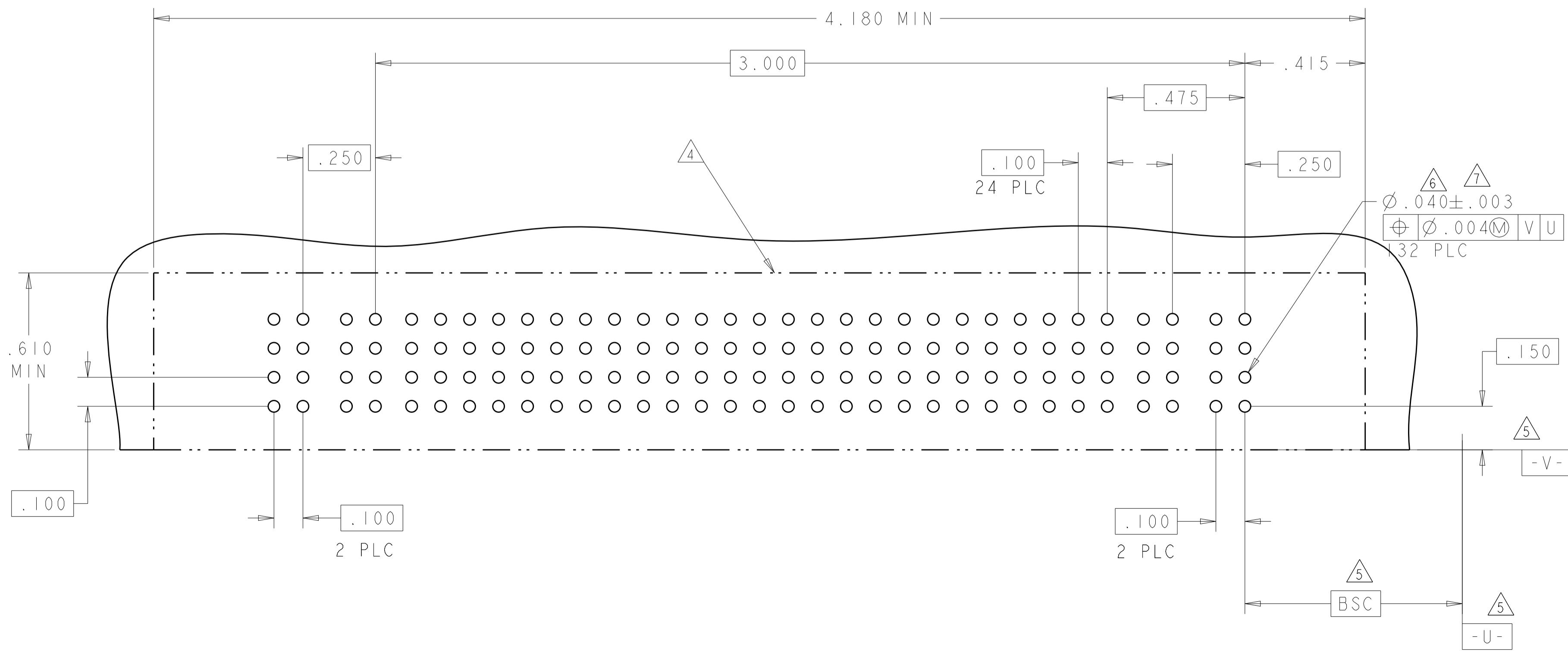
PART NUMBER	ROWS	POWER		SIGNAL						POWER	
		P4	P3	6	5	4	3	2	1	P2	P1
1-6450560-2	D C B A	RP	RP	D	D	D	D	D	D	RP	RP
				C	C	C	C	C			
		B	B	B	B	B	RP	RP			
		A	A	A	A	A					

2P + 24S + 2P



PART NUMBER	ROWS	POWER		SIGNAL																				POWER							
		P4	P3	25	24	23	22	21	20	19	18	17	16	15	14	13	12	11	10	9	8	7	6	5	4	3	2	1	P2	P1	
6450560-8	D C B A	RL	RL	DD	DD	DD	DD	DD	DD	DD	DD	DD	DD	DD	DD	DD	DD	DD	DD	DD	DD	DD	DD	DD	DD	DD	DD	DD	DD	RL	RL
				CC	CC	CC	CC	CC	CC	CC	CC	CC	CC	CC	CC	CC	CC	CC	CC	CC	CC	CC	CC	CC	CC	CC	CC	CC	CC	CC	CC
		BB	BB	BB	BB	BB	BB	BB	BB	BB	BB	BB	BB	BB	BB	BB	BB	BB	BB	BB	BB	BB	BB	BB	BB	BB	BB	BB	BB	BB	BB
		AA	AA	AA	AA	AA	AA	AA	AA	AA	AA	AA	AA	AA	AA	AA	AA	AA	AA	AA	AA	AA	AA	AA	AA	AA	AA	AA	AA	AA	

2P + 100S + 2P

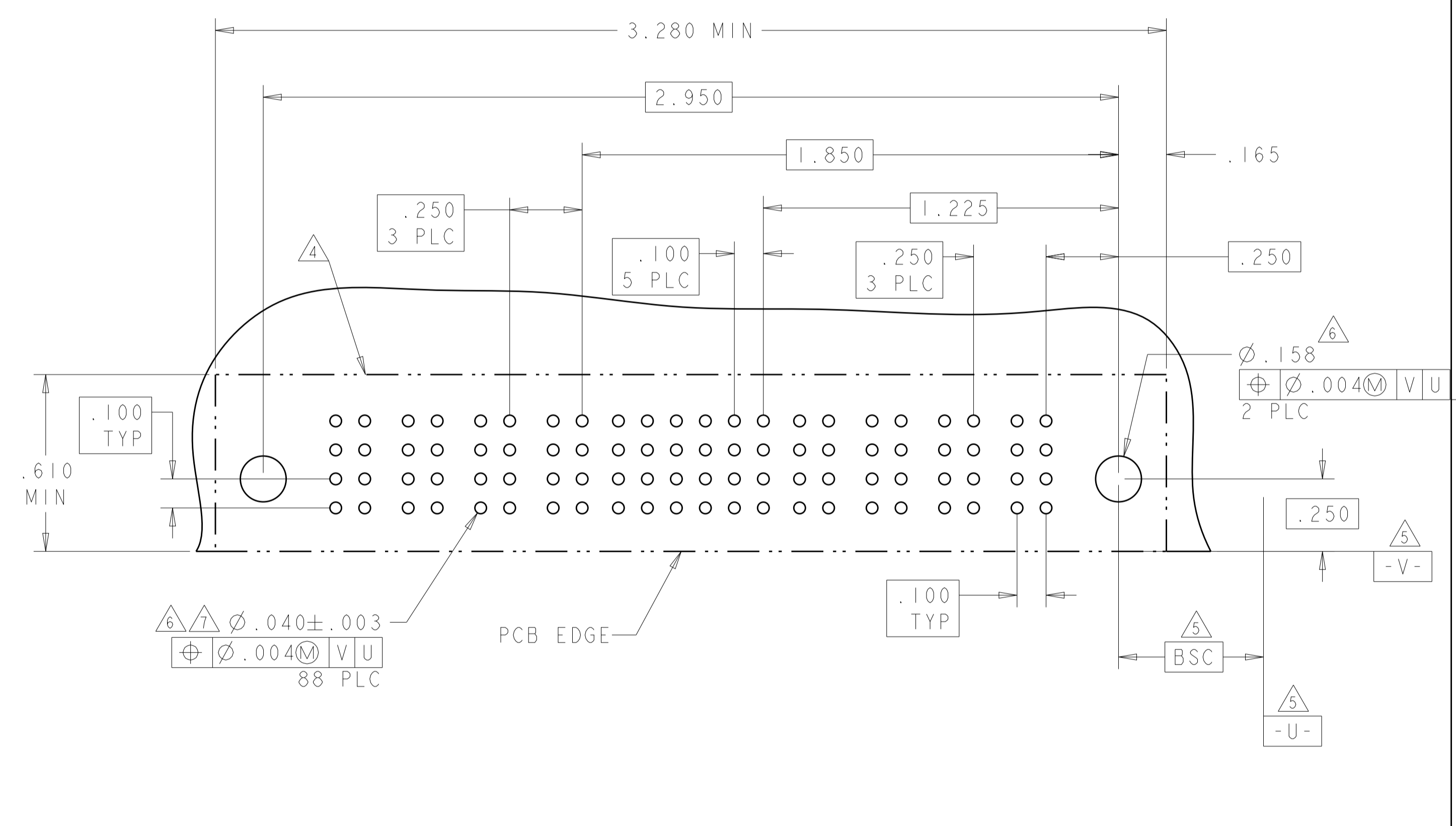
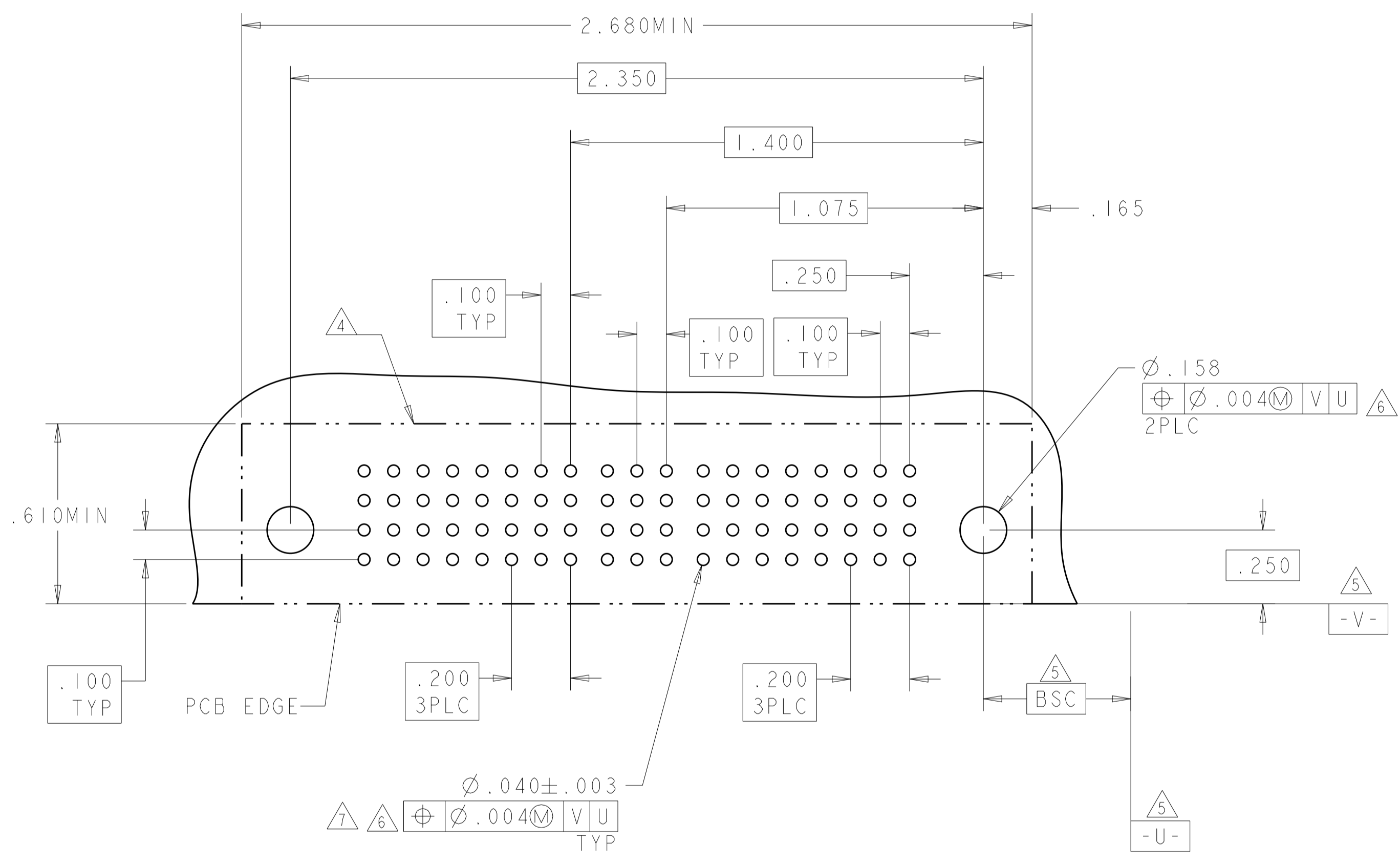


THIS DRAWING IS A CONTROLLED DOCUMENT.		OWN: R. GRZYBOWSKI 09MAR05 CHK: M. PERCHERKE 09MAR05		STE TE Connectivity	
DIMENSIONS:	TOLERANCES UNLESS OTHERWISE SPECIFIED:	APVD: M. PERCHERKE		NAME: RIGHT ANGLE RECEPTACLE ASSEMBLY WITH GUIDES MULTI-BEAM XL	
INCHES	0 PLC ±.01 1 PLC ±.01 2 PLC ±.01 3 PLC ±.01 4 PLC ±.01 ANGLES ±.002	PRODUCT SPEC: 108-1973		SIZE: A100779C=6450560	
MATERIAL:	FINISH:	APPLICATION SPEC: 114-13038		RESTRICTED TO: -	
Customer Drawing		WEIGHT:		SCALE: 4:1 SHEET 3 OF 7 REV: H3	

LOC	DIST	REV	DATE	BY	APPV
ES	00				
REVISIONS					
DESCRIPTION					
SEE SHEET 1					

PART NUMBER	ROWS	POWER				SIGNAL			POWER			
		P8	P7	P6	P5	3	2	1	P4	P3	P2	P1
I-6450560-1	D C B A	RL	RL	RL	RL	DD	DD	DD	RL	RL	RL	RL
						CC	CC	CC				
						BB	BB	BB				
						AA	AA	AA				
4P + 12S + 4P												

PART NUMBER	ROWS	POWER				SIGNAL					POWER				
		P8	P7	P6	P5	6	5	4	3	2	1	P4	P3	P2	P1
I-6450560-7	D C B A	RS	RS	RS	RS	D	D	D	D	D	D	RS	RS	RS	RS
						C	C	C	C	C	C				
						B	B	B	B	B	B				
						A	A	A	A	A	A				
4P + 24S + 4P															



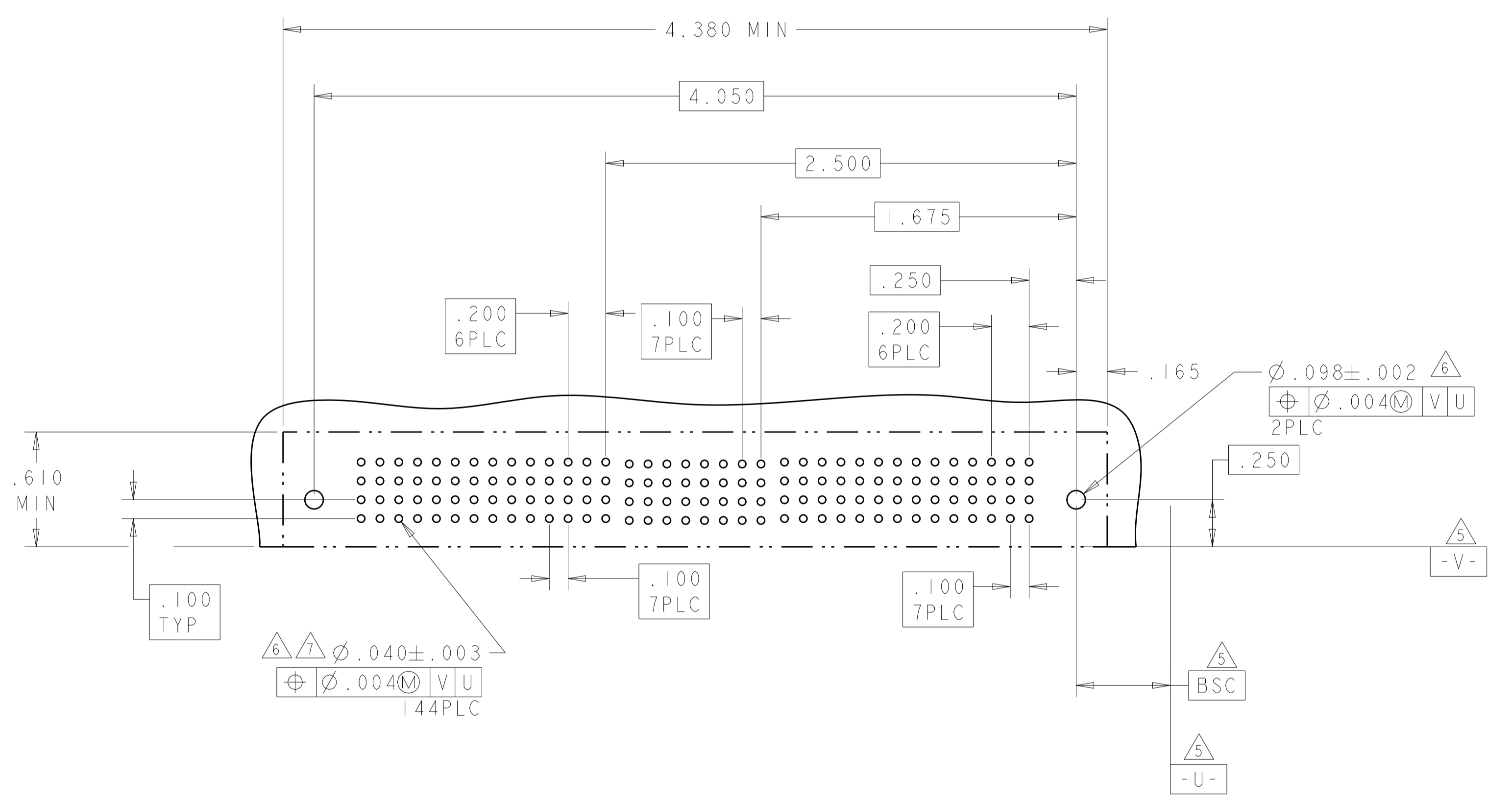
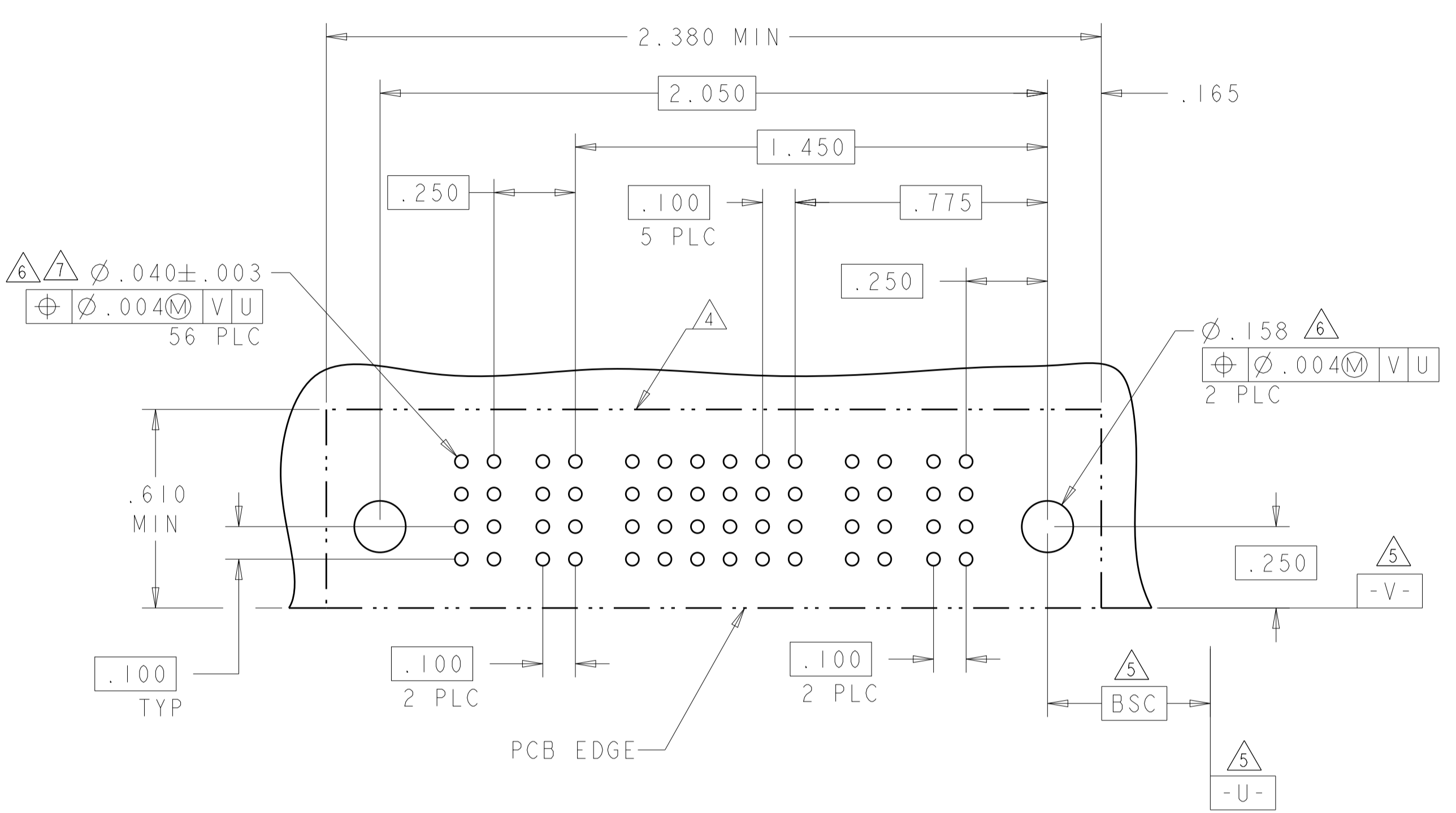
THIS DRAWING IS A CONTROLLED DOCUMENT.		OWN: R. GRZYBOWSKI 09MAR05	 TE Connectivity
DIMENSIONS: INCHES		CHK: M. PERCHERKE 09MAR05	
TOLERANCES UNLESS OTHERWISE SPECIFIED:		APVD: M. PERCHERKE	NAME: RIGHT ANGLE RECEPTACLE ASSEMBLY WITH GUIDES MULTI-BEAM XL
0 PLC ±.01		PRODUCT SPEC: 108-1973	SIZE: A100779
1 PLC ±.01		APPLICATION SPEC: 114-13038	CAGE CODE: C=6450560
2 PLC ±.005		WEIGHT: -	RESTRICTED TO: -
3 PLC ±.0020		FINISH: -	SCALE: 4:1
ANGLES ±.0020		Customer Drawing	SHEET 4 OF 7
MATERIAL: -		REV: H3	

LOC	DIST	REV	DATE	BY	APPV
ES	00				

REVISIONS			
NO	DESCRIPTION	DATE	BY
-	SEE SHEET 1	-	-

PART NUMBER	ROWS	POWER		SIGNAL						POWER	
		P4	P3	6	5	4	3	2	1	P2	P1
1-6450560-3	D C B A	RS	RS	D	D	D	D	D	D	RS	RS
				C	C	C	C	C	C		
				B	B	B	B	B	B		
2P + 24S + 2P											

PART NUMBER	ROWS	POWER							SIGNAL								POWER							
		P14	P13	P12	P11	P10	P9	P8	8	7	6	5	4	3	2	1	P7	P6	P5	P4	P3	P2	P1	
6450560-4	D C B A	RK	RK	RK	RK	RK	RK	RK	DD	DD	DD	DD	DD	DD	DD	RK	RK	RK	RK	RK	RK	RK	RK	
									CC	CC	CC	CC	CC	CC	CC									CC
									BB	BB	BB	BB	BB	BB	BB									BB
7HDP + 32S + 7HDP																								



THIS DRAWING IS A CONTROLLED DOCUMENT.

DIMENSIONS: INCHES	TOLERANCES UNLESS OTHERWISE SPECIFIED: 0 PLC ±. 1 PLC ±.01 2 PLC ±.01 3 PLC ±.005 4 PLC ±.0020 ANGLES ±	FINISH	FINISH
-----------------------	---	--------	--------

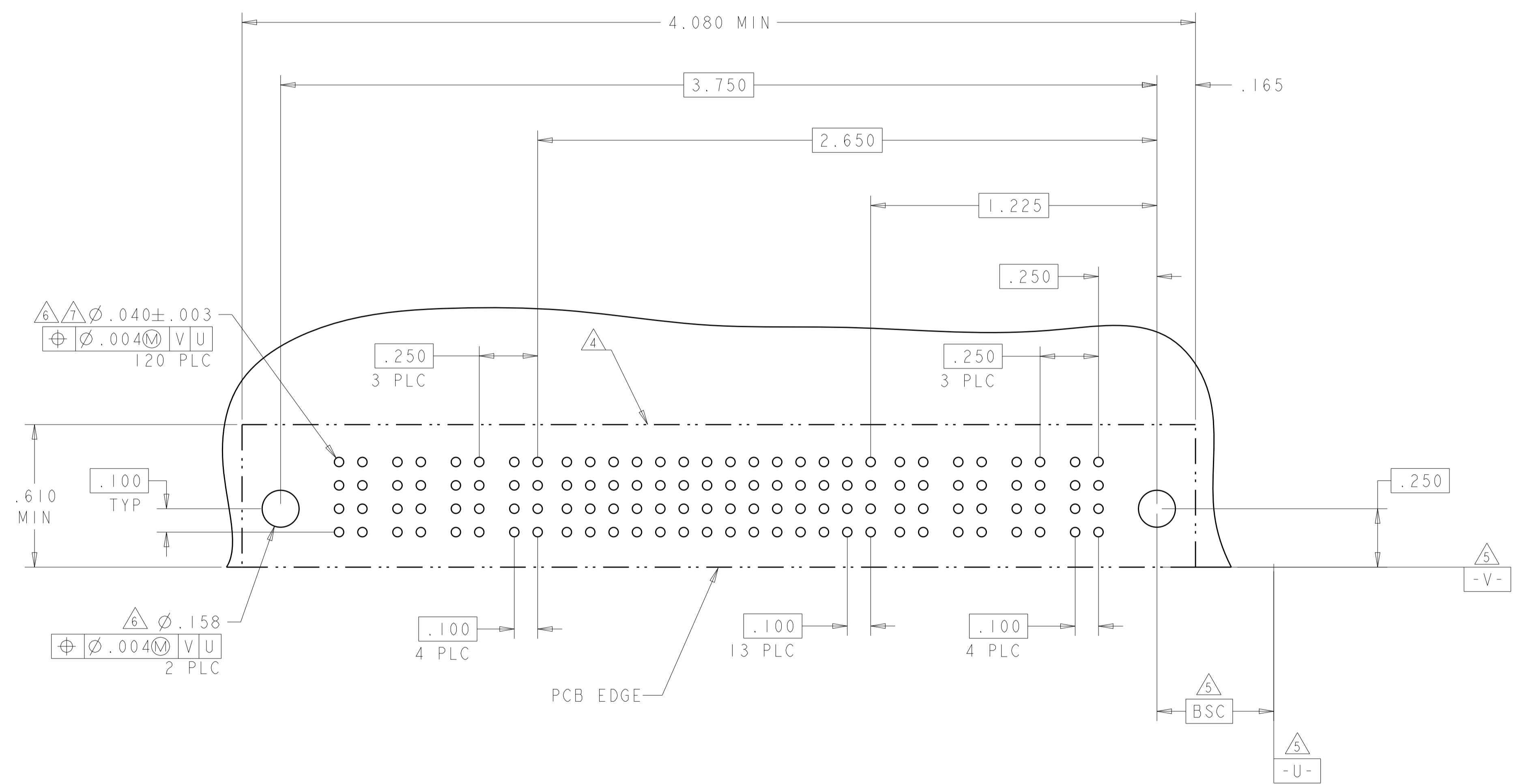
OWN: R. GRZYBOWSKI 09MAR05	CHK: M. PERCHERKE 09MAR05	APV: M. PERCHERKE	NAME: RIGHT ANGLE RECEPTACLE ASSEMBLY WITH GUIDES MULTI-BEAM XL
PRODUCT SPEC: 108-1973			SIZE: A1
APPLICATION SPEC: 114-13038			CAGE CODE: 6450560
WEIGHT: -			SCALE: 4:1
Customer Drawing			SHEET 5 OF 7

STE TE Connectivity

LOC	DIST	REVISIONS			
P	LTN	DESCRIPTION	DATE	DMN	APVD
-	-	SEE SHEET 1	-	-	-

(H1)

PART NUMBER	ROWS	POWER				SIGNAL																POWER												
		P8	P7	P6	P5	14	13	12	11	10	9	8	7	6	5	4	3	2	1	P4	P3	P2	P1											
I-6450560-9	D	RS	RS	RS	RS	D	D	D	D	D	D	D	D	D	D	D	D	D	D	D	D	D	D	D	D	RS	RS	RS	RS					
	C					C	C	C	C	C	C	C	C	C	C	C	C	C	C	C	C	C	C	C	C					C	C	C		
	B					B	B	B	B	B	B	B	B	B	B	B	B	B	B	B	B	B	B	B	B					B	B	B	B	B
	A					A	A	A	A	A	A	A	A	A	A	A	A	A	A	A	A	A	A	A	A					A	A	A	A	A
4P + 56S + 4P																																		



THIS DRAWING IS A CONTROLLED DOCUMENT.

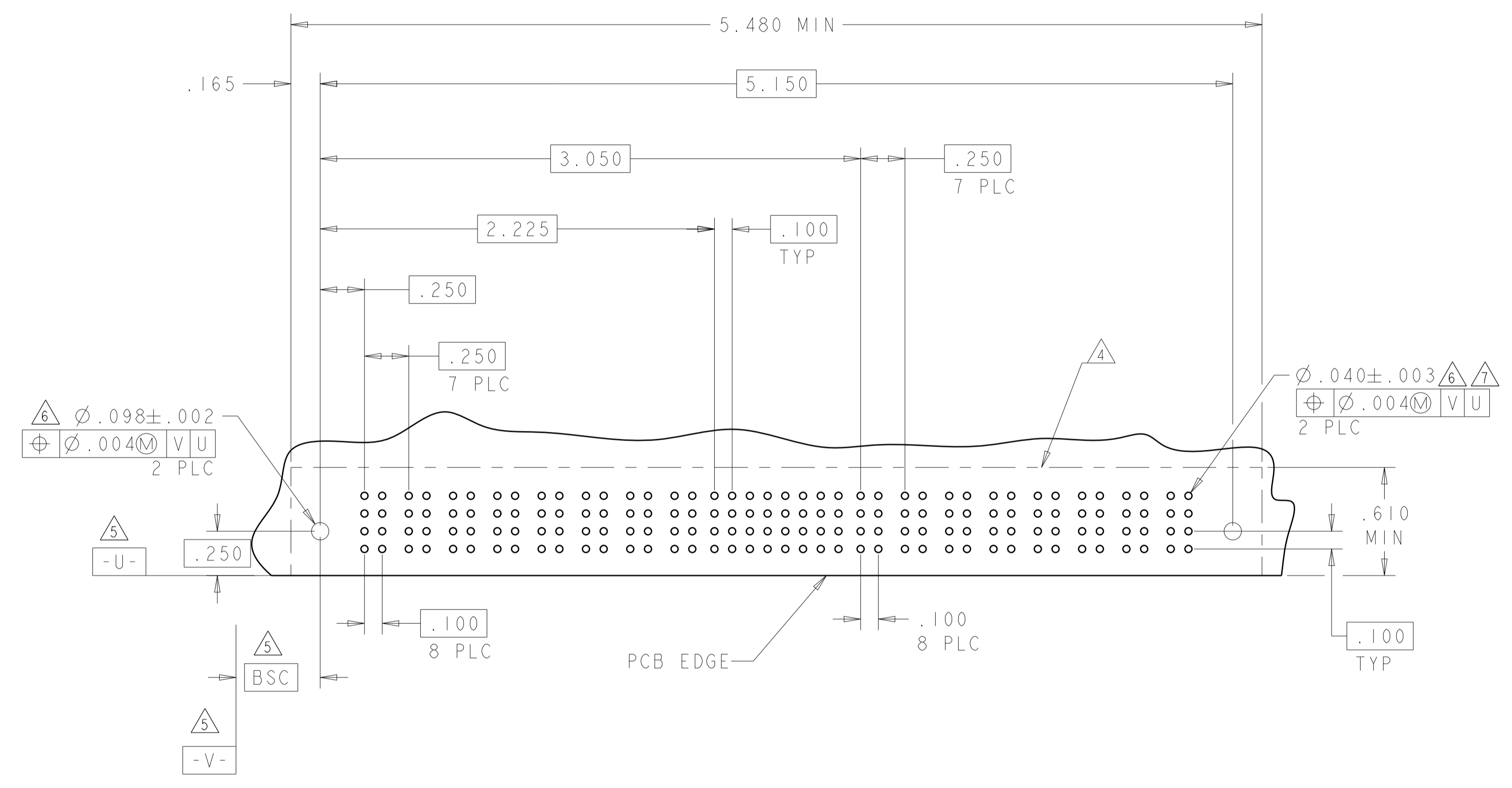
DIMENSIONS: INCHES	TOLERANCES UNLESS OTHERWISE SPECIFIED:	0 PLC ± .01	1 PLC ± .01	2 PLC ± .01	3 PLC ± .005	4 PLC ± .002	ANGLES ± .0020	FINISH	FINISH
--------------------	--	-------------	-------------	-------------	--------------	--------------	----------------	--------	--------

DMN: R. GRZYBOWSKI 09MAR05	CHK: M. PERCHERKE 09MAR05	APVD: M. PERCHERKE
NAME: RIGHT ANGLE RECEPTACLE ASSEMBLY WITH GUIDES MULTI-BEAM XL		
PRODUCT SPEC: 108-1973		
APPLICATION SPEC: 114-13038		
WEIGHT: -		
Customer Drawing		

SCALE: 4:1 SHEET 6 OF 7 REV H3

LOC	DIST	REVISIONS			
ES	00	REV	DATE	BY	APPD
-	-	SEE SHEET 1	-	-	-

PART NUMBER	ROWS	POWER								SIGNAL								POWER							
		P16	P15	P14	P13	P12	P11	P10	P9	8	7	6	5	4	3	2	1	P8	P7	P6	P5	P4	P3	P2	P1
I-6450560-6	D	RS	RS	RS	RS	RS	RS	RS	D	D	D	D	D	D	D	D	RS	RS	RS	RS	RS	RS	RS	RS	
	C								C	C	C	C	C	C	C										
	B								B	B	B	B	B	B	B										
A	A	A	A	A	A	A	A	A	A	A	A	A	A	A	A	A	A	A	A	A	A	A	A	A	
8P + 32S + 8P		HD		HD		HD		HD		HD		HD		HD		HD		HD		HD		HD		HD	



THIS DRAWING IS A CONTROLLED DOCUMENT.		DWN: R. GRZYBOWSKI 09MAR05 CHK: M. PERCHERKE 09MAR05	TE Connectivity RIGHT ANGLE RECEPTACLE ASSEMBLY WITH GUIDES MULTI-BEAM XL												
DIMENSIONS: INCHES	TOLERANCES UNLESS OTHERWISE SPECIFIED:	APVD: M. PERCHERKE			NAME: 108-1973										
<table border="1"> <tr><td>0 PLC</td><td>±</td></tr> <tr><td>1 PLC</td><td>±.01</td></tr> <tr><td>2 PLC</td><td>±.005</td></tr> <tr><td>3 PLC</td><td>±.0020</td></tr> <tr><td>4 PLC</td><td>±.0020</td></tr> </table>	0 PLC	±	1 PLC	±.01	2 PLC	±.005	3 PLC	±.0020	4 PLC	±.0020	<table border="1"> <tr><td>ANGLES</td><td>*</td></tr> </table>	ANGLES	*	PRODUCT SPEC: 114-13038	SIZE: A100779
0 PLC	±														
1 PLC	±.01														
2 PLC	±.005														
3 PLC	±.0020														
4 PLC	±.0020														
ANGLES	*														
MATERIAL: -	FINISH: -	WEIGHT: -	RESTRICTED TO: -												
Customer Drawing		SCALE: 4:1	SHEET 7 OF 7												