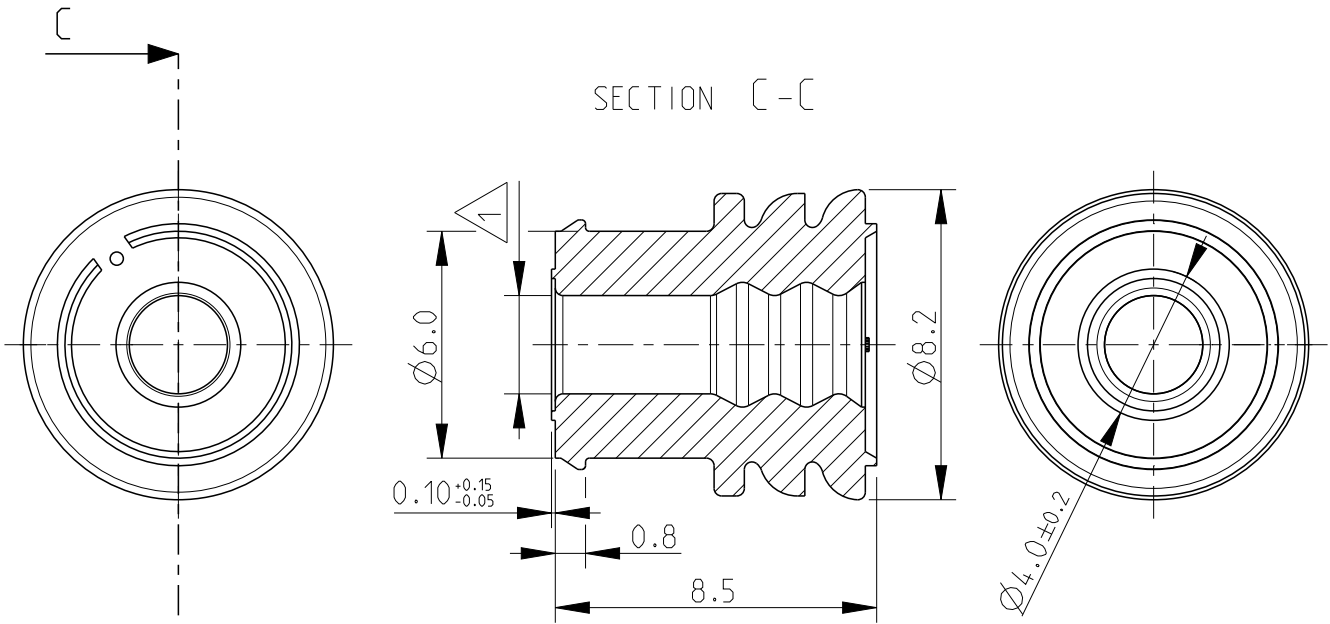
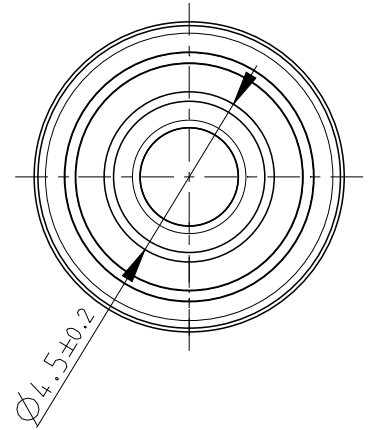
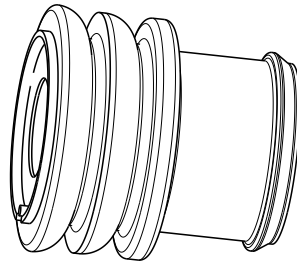
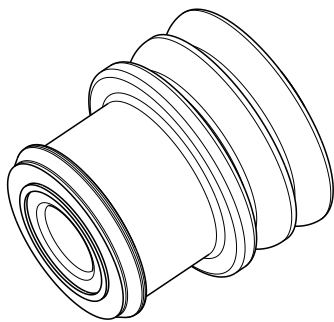


REVISIONS					
P	LTR	DESCRIPTION	DATE	DWN	APVD
	C2	ECO-16-009461	22JUN2016	M.G.	M.G.




ALTERNATIVE DESIGN ADMITTED



1 FOR INSULATION DIA: $\varnothing 3.4-3.7\text{mm}$

YELLOW	SILICONE 50° SHORE A INHERENTLY LUBRICATED	963245-1
COLOR	MATERIAL	P/N

20
 RELEASED FOR PUBLICATION
 ALL RIGHTS RESERVED.
 BY -
 THIS DRAWING IS UNPUBLISHED.
 COPYRIGHT © 20

DIMENSIONS: mm	DWN R.Schan	23AUG1989	MATERIAL	SEE TABLE	FINISH	-	
	CHK M. Adamski	23AUG1989	 TE Connectivity				
TOLERANCES UNLESS OTHERWISE SPECIFIED:	APVD	-					NAME
	0 PLC ± 0.3	PRODUCT SPEC	-	SIZE	CAGE CODE	DRAWING NO	RESTRICTED TO
1 PLC ±	APPLICATION SPEC	-	A 4	-	C=963245	-	
2 PLC ±	WEIGHT	0.258g	CUSTOMER DRAWING				SCALE
3 PLC ±							5:1
4 PLC ±							SHEET
ANGLES ±°							1 OF 1
							REV
							C2