



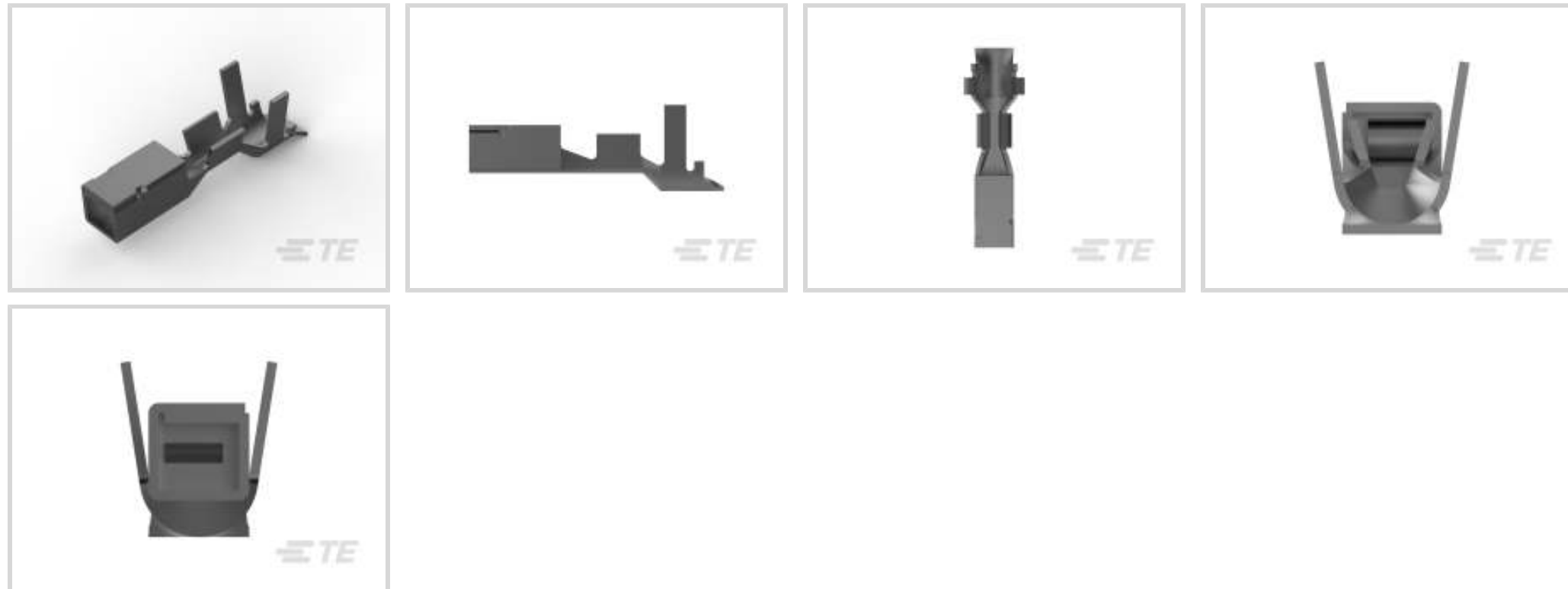
Power Key 5.0

TE Internal #: 1376348-1

Power Contacts, Contact, 300 VAC, Tin, 24 – 20 AWG Wire Size, .2 – .52 mm² Wire Size, Wire & Cable, Crimp, Power, Receptacle, Power Key 5.0

[View on TE.com >](#)

Connectors > Power Connectors > Power Contacts



Power Contact Type: **Contact**

Operating Voltage: **300 VAC**

Contact Mating Area Plating Material: **Tin**

Wire Size: **.2 – .52 mm²**

Features

Product Type Features

Power Contact Type	Contact
Connector & Contact Terminates To	Wire & Cable

Electrical Characteristics

Operating Voltage	300 VAC
-------------------	---------

Contact Features

Contact Shape & Form	Dual Beam
Contact Mating Area Plating Material	Tin
Contact Current Rating (Max)	7 A
Contact Type	Receptacle
Contact Retention Within Housing	With
Mating Tab Width	1.5 mm[.06 in]
Mating Tab Thickness	.5 mm[.02 in]
Contact Base Material	Brass
Wire Contact Termination Area Plating Thickness	.8 μm[31.49 μin]
Wire Contact Termination Area Plating Material	Pre-Tin



Contact Orientation	Straight
---------------------	----------

Termination Features

Termination Method to Wire & Cable	Crimp
------------------------------------	-------

Mechanical Attachment

Wire Insulation Support	Without
-------------------------	---------

Dimensions

Wire Size	.2 – .52 mm ²
-----------	--------------------------

Compatible Insulation Diameter Range	1.7 – 2.7 mm [.067 – .106 in]
--------------------------------------	-------------------------------

Usage Conditions

Operating Temperature Range	-40 – 105 °C [-22 – 221 °F]
-----------------------------	-----------------------------

Operation/Application

Circuit Application	Power
---------------------	-------

Industry Standards

Agency/Standard	CSA
-----------------	-----

Packaging Features

Packaging Quantity	5000
--------------------	------

Packaging Method	Reel
------------------	------

Product Compliance

[For compliance documentation, visit the product page on TE.com>](#)

EU RoHS Directive 2011/65/EU	Compliant
------------------------------	-----------

EU ELV Directive 2000/53/EC	Compliant
-----------------------------	-----------

China RoHS 2 Directive MIIT Order No 32, 2016	No Restricted Materials Above Threshold
-----------------------------------------------	-----------------------------------------

EU REACH Regulation (EC) No. 1907/2006	Current ECHA Candidate List: JUNE 2023 (235) Candidate List Declared Against: JAN 2023 (233) Does not contain REACH SVHC
----------------------------------------	--------------------------------------------------------------------------------------------------------------------------------

Halogen Content	Low Halogen - Br, Cl, F, I < 900 ppm per homogenous material. Also BFR/CFR/PVC Free
-----------------	-------------------------------------------------------------------------------------

Solder Process Capability	Not applicable for solder process capability
---------------------------	----------------------------------------------

Product Compliance Disclaimer



This information is provided based on reasonable inquiry of our suppliers and represents our current actual knowledge based on the information they provided. This information is subject to change. The part numbers that TE has identified as EU RoHS compliant have a maximum concentration of 0.1% by weight in homogenous materials for lead, hexavalent chromium, mercury, PBB, PBDE, DBP, BBP, DEHP, DIBP, and 0.01% for cadmium, or qualify for an exemption to these limits as defined in the Annexes of Directive 2011/65/EU (RoHS2). Finished electrical and electronic equipment products will be CE marked as required by Directive 2011/65/EU. Components may not be CE marked. Additionally, the part numbers that TE has identified as EU ELV compliant have a maximum concentration of 0.1% by weight in homogenous materials for lead, hexavalent chromium, and mercury, and 0.01% for cadmium, or qualify for an exemption to these limits as defined in the Annexes of Directive 2000/53/EC (ELV). Regarding the REACH Regulation, the information TE provides on SVHC in articles for this part number is based on the latest European Chemicals Agency (ECHA) 'Guidance on requirements for substances in articles' posted at this URL: <https://echa.europa.eu/guidance-documents/guidance-on-reach>

Compatible Parts



TE Part # CAT-G7534-P729A
Glow Wire GRACE INERTIA Plug



TE Part # 2305570-1
Strip Terminal Cutter-Side Feed-No Crimp



TE Part # 1463644-1
EXT-TOOL,5.0 POWER KEY CONN.



TE Part # 1746063-3
2.5mm SDL PLUG HSG 14P NAT



TE Part # 2-2151130-1
OCEAN_2.0_Applicator-S-062F130F



TE Part # 2-2151130-2
OCEAN_2.0_Applicator-S-062F130F



TE Part # 2151130-1
OCEAN_2.0_Applicator-S-062F130F




TE Part # 2151130-2
OCEAN_2.0_Applicator-S-062F130F



TE Part # 7-2151130-1
OCEAN_2.0_Applicator-S-062F130F



TE Part # 7-2151130-2
OCEAN_2.0_Applicator-S-062F130F



TE Part # 7-2151130-7
OCEAN_2.0_SPARE_PART_KIT-062F130F

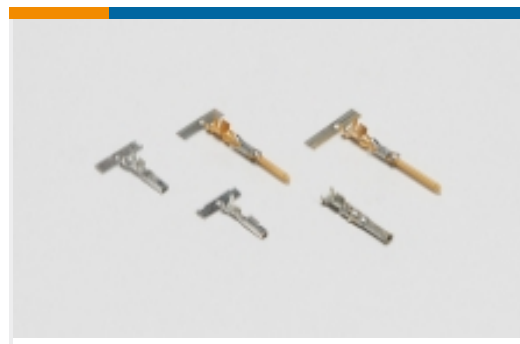
Also in the Series | Power Key 5.0



Insertion & Extraction Tools(1)



PCB Latches, Locks & Retainers(4)



Power Contacts(4)



Rectangular Power Connectors(107)

Customers Also Bought



TE Part #1376393-1
STD Temp Power Key Plug



TE Part #5-1971772-3
PTL 1X3 CAP PANEL MT HITEMP KEY A LGR



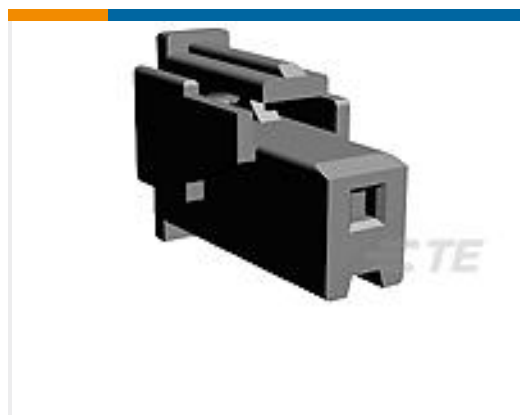
TE Part #1-1971773-3
PTL 1X3 PLUG HSG STD TEMP KEY A NAT



TE Part #1-2232263-1
PTL 1X2 CAP PANEL MT HOT WIRE KEY A BLK



TE Part #1-1747050-2
GIC 7.92MM PITCH CONNECTOR PLUG HSG 2POS



TE Part #4-1123823-1
EP 1P PLUG RED



TE Part #1534072-4
MULTIF.ASSY MK2 4POS, AR

Documents

Product Drawings

5MM POWER KEY CONN REC CONT M

English

CAD Files

3D PDF

3D

Customer View Model

[ENG_CVM_CVM_1376348-1_E.2d_dxf.zip](#)

English

Customer View Model

[ENG_CVM_CVM_1376348-1_E.3d_igs.zip](#)

English

Customer View Model

[ENG_CVM_CVM_1376348-1_E.3d_stp.zip](#)

English

By downloading the CAD file I accept and agree to the [Terms and Conditions](#) of use.



Datasheets & Catalog Pages

[SOFT_SHELL_PIN_SOCKET_CONNECTORS_STANDARD_DENSITY](#)

English

[1-1773873-1 6.0mm GRACE INERTIA connector flyer](#)

English

[1-1773883-5 GRACE INERTIA connector quick reference guide](#)

English

[1-1773881-9 Power Key Connector Quick Reference Guide](#)

English

Product Specifications

[5.0 POWER KEY CONNECTOR](#)

Japanese

[Application Specification](#)

Japanese

Product Environmental Compliance

[MD_1376348-1_08202018715_dmtec](#)

English

[MD_1376348-1_08202018715_dmtec](#)

English

Instruction Sheets

[The extraction tool for 5MM Power Key Contact](#)

English

[Instruction Sheet \(non U.S.\)](#)

English

Agency Approvals

[VDE Certificate](#)

English